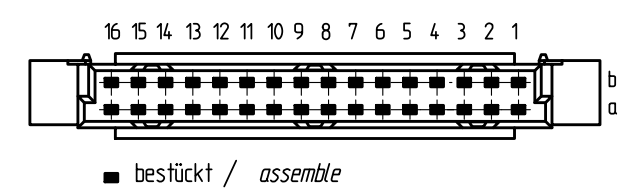
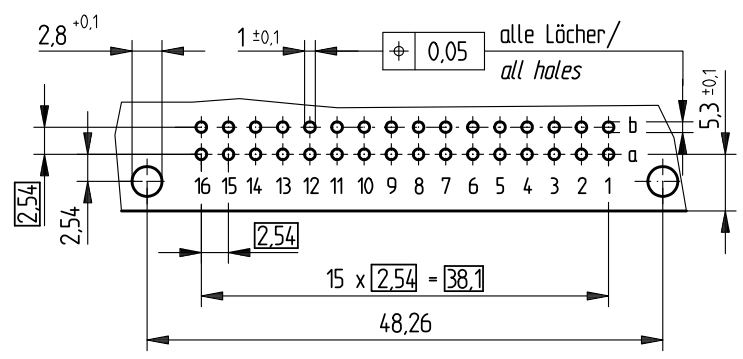


Bestückungsplan / contact layout



Leiterplatten-Lochbild / PCB drillhole pattern



Tauchlötaschluß 0,3 x 0,7 mm / solder terminal 0,3 x 0,7 mm

Isolierwerkstoff / housing material : PBT GF30

Bauart 7 / type 7

Anforderungsstufe 2 = 400 Steckzyklen / performance class 2 = 400 mating cycles

Fehlende Maße und Angaben gemäß IEC 60 603-2 / DIN EN 60 603-2

Missing information and dimensions according to IEC 60 603-2

Bedruckung siehe Zeichnung 294875

Marking see drawing 294875

Consider protection memo from DIN 34	Information:	Tolerances	All Dimensions in mm	Scale	2:1
	All rights reserved. Only for information. To insure that this is the latest version of this drawing, please contact one of the ERNI companies before using.	Subject to modification without prior notice. Drawing will not be updated.		Designation Federleiste Q/2, 32 Löt Fem. Con. Q/2, 32 Solder	
		www.ERNI.com		294722	1
Index	Date	V:00054675.SZA		STVQ/2	