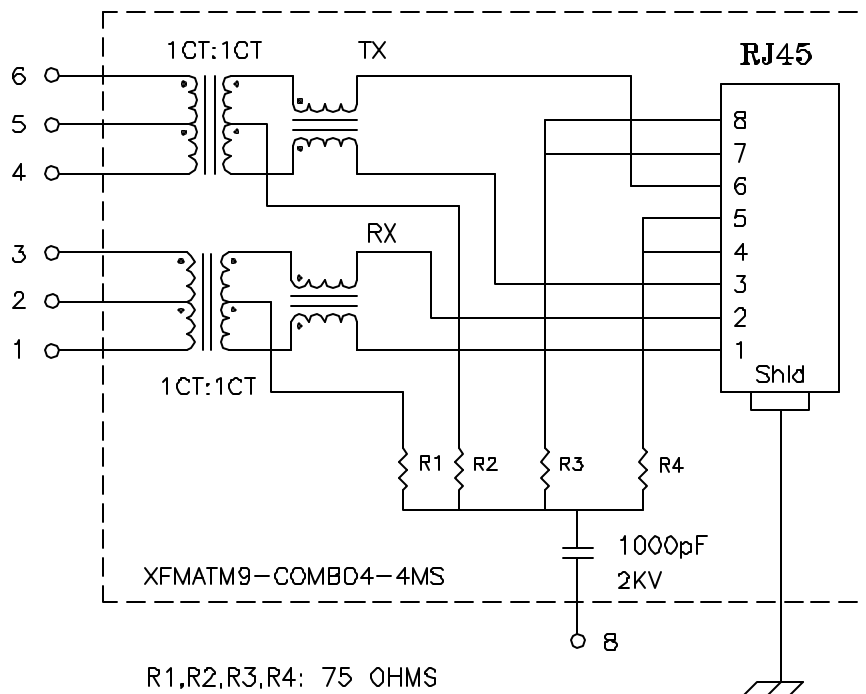


**Schematic:**



**Electrical Specifications: @25°C**

- Isolation Voltage: 1500 Vrms (Input to Output)
- Isolation Voltage: 500 Vrms (P1+2+3 to P4+5+6)
- Turns Ratio: TX 1CT:1CT ±3% RX 1CT:1CT ±3%
- CABLE SIDE OCL: 350uH Minimum @100KHz 100mV 8mADC
- Cw/w: 27pF Typical @100KHz 100mV
- Insertion Loss (300KHz-100MHz): 1.0dB Maximum
- Return Loss: @30MHz 18dB Minimum
- @80MHz -12dB Typ

**Notes:**

1. Solderability: Leads shall meet MIL-STD-202, Method 208D for solderability.
2. Flammability: UL94V-0
3. ASTM oxygen index: > 28%
4. Insulation System: Class F 155°C. UL file E151555
5. Operating Temperature Range: All listed parameters are to be within tolerance from -40°C to +85°C
6. Storage Temperature Range: -55°C to +125°C
7. Aqueous wash compatible
8. Electrical and mechanical specifications 100% tested
9. RoHS Compliant Component
10. 15u Inches of Gold Plating

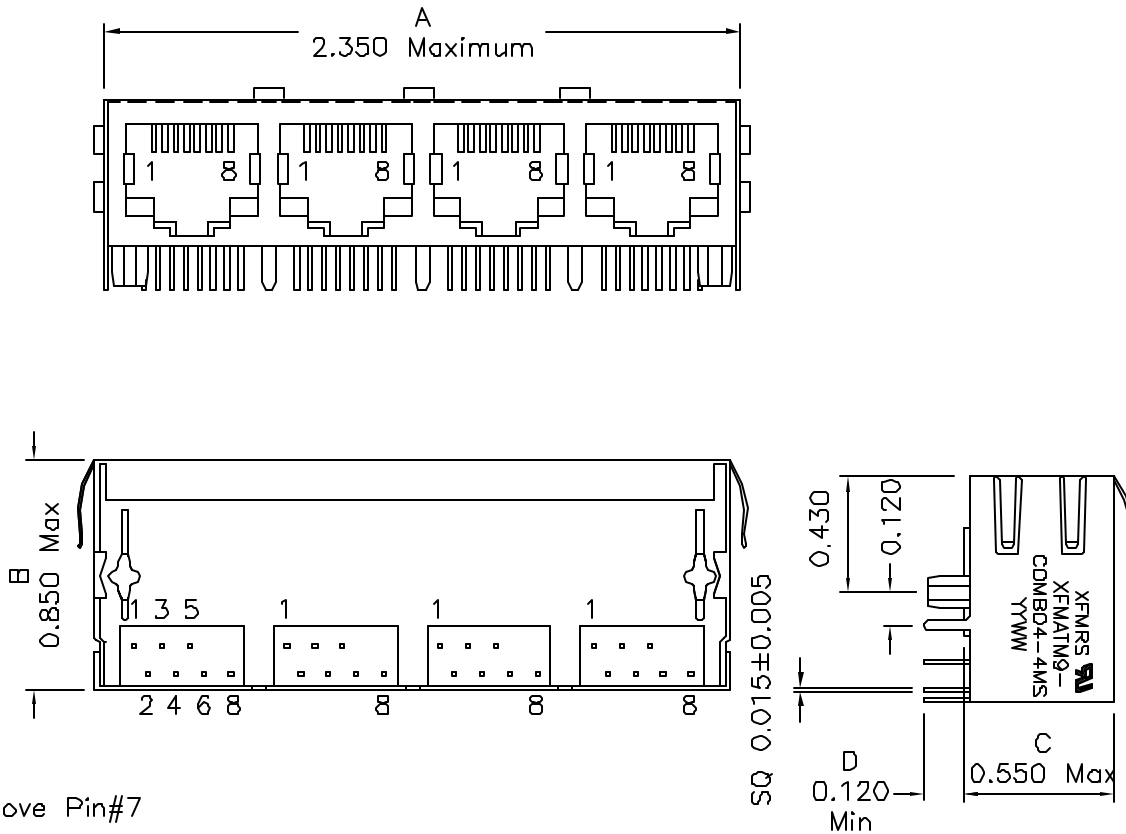
DOC. REV: A/3

<b>XFMRS Inc.</b> www.XFMRS.com	Title: <b>QUAD PORT COMBO</b>		
	UNLESS OTHERWISE SPECIFIED TOLERANCES: .xxx ±0.010		P/N: XFMATM9-COMB04-4MS
Dimensions in Inch	DWN.	罗振江	Apr-03-06
	CHK.	廖玉坤	Apr-03-06
SHEET 1 OF 2	APP.	MS	Apr-03-06

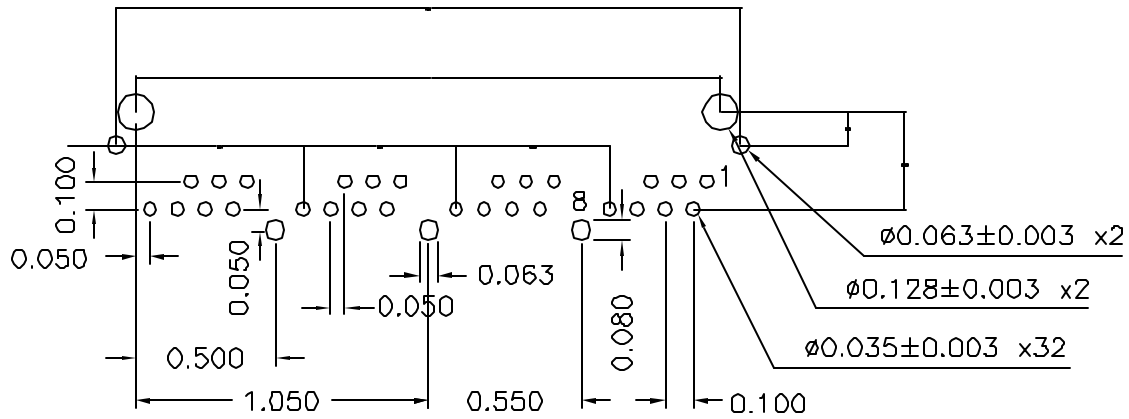
**PROPRIETARY:**

Document is the property of XFMRS Group & is not allowed to be duplicated without authorization.

# Mechanical Dimensions: (FOR COMB04-4MS)



\*Remove Pin#7



SUGGESTED MOUNTING PATTERN

DOC. REV: A/3

**PROPRIETARY:**

Document is the property of XFMR9 Group & is not allowed to be duplicated without authorization.

<b>XFMR9 Inc.</b> <a href="http://www.XFMR9.com">www.XFMR9.com</a> UNLESS OTHERWISE SPECIFIED TOLERANCES: .xxx ±0.010 Dimensions in Inch	Title: Mechanical Dimensions For COMB04-4MS Series	
	P/N: XFMATM9-COMB04-4MS	REV. A
DWN.	罗振江	Apr-03-06
CHK.	廖玉坤	Apr-03-06
APP.	MS	Apr-03-06
SHEET 2 OF 2		