

SLIDE SWITCHES (SMD)



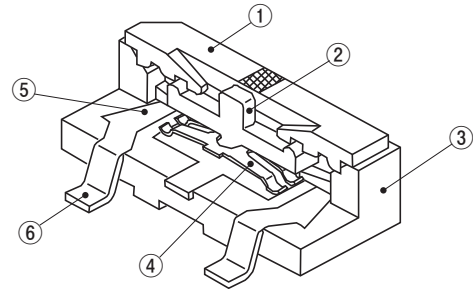
RoHS compliant



FEATURES

- RoHS compliant
- Easy to set slider with line marking
- With neutral detent type lined up to 1 pole 2 contacts switch
- Compatible with most automatic pick & place machinery
- Compact and space saving SMD type

INTERNAL STRUCTURE



| Part name | Material | Flammability |
|------------------|---------------------------|--------------|
| ① Cover | Polyphenylenesulphide | UL94V-0 |
| ② Slider | Polyamide | |
| ③ Housing | Polyphenylenesulphide | |
| ④ Slider contact | Copper alloy, Gold-plated | — |
| ⑤ Fixed contact | | |
| ⑥ Terminal pin | | |

PART NUMBER DESIGNATION

C J S - 1 2 0 1 T B 1

Series name

No. of poles

1 : 1 pole (SPDT)

No. of contacts

2 : 2 contacts

Setting position

0 : Top setting

Neutral detent

0 : Without neutral detent

1 : With neutral detent

SPDT : Single Pole Double Throw

Structure

1 : Non-washable type (Without seal tape)
Standard type

2 : Non-washable type (With seal tape)

Blank : Washable type (With seal tape)

Shape of terminal

A : J-hook

B : Gull wing

Form of packaging

T : Taping (Reel)

Blank : Bulk in plastic bag

※ Please refer to the LIST OF PART NUMBERS when placing orders.

LIST OF PART NUMBERS

| No. of poles | No. of contacts | Setting position | Neutral detent | Form of packaging | Non-washable type (Without seal tape) | | Non-washable type (With seal tape) | | Pieces in package |
|--------------|-----------------|------------------|------------------------|-------------------|---------------------------------------|---------------|------------------------------------|---------------|-------------------|
| | | | | | A (J-hook) | B (Gull wing) | A (J-hook) | B (Gull wing) | |
| 1 | 2 | Top setting | Without neutral detent | Taping | CJS-1200TA1 | CJS-1200TB1 | CJS-1200TA2 | CJS-1200TB2 | 1000pcs./reel |
| | | | | Plastic bag | CJS-1200A1 | CJS-1200B1 | CJS-1200A2 | CJS-1200B2 | 100pcs./pack |
| | | | With neutral detent | Taping | CJS-1201TA1 | CJS-1201TB1 | CJS-1201TA2 | CJS-1201TB2 | 1000pcs./reel |
| | | | | Plastic bag | CJS-1201A1 | CJS-1201B1 | CJS-1201A2 | CJS-1201B2 | 100pcs./pack |

| No. of poles | No. of contacts | Setting position | Neutral detent | Form of packaging | Washable type (With seal tape) | | Pieces in package |
|--------------|-----------------|------------------|------------------------|-------------------|--------------------------------|---------------|-------------------|
| | | | | | A (J-hook) | B (Gull wing) | |
| 1 | 2 | Top setting | Without neutral detent | Taping | CJS-1200TA | CJS-1200TB | 1000pcs./reel |
| | | | | Plastic bag | CJS-1200A | CJS-1200B | 100pcs./pack |
| | | | With neutral detent | Taping | CJS-1201TA | CJS-1201TB | 1000pcs./reel |
| | | | | Plastic bag | CJS-1201A | CJS-1201B | 100pcs./pack |

※ Verify the above part numbers when placing orders.
Taping version can be supplied only in reel unit.

STANDARD SPECIFICATIONS

| | |
|-----------------------|--|
| Operating temp. range | - 40 ~ 85 °C |
| Storage temp. range | |
| Sealing | Washable type available with seal tape |
| Net weight | Approx. 0.05g (CJS-1200) Approx. 0.06g (CJS-1201) |

ELECTRICAL CHARACTERISTICS

| | |
|---|--|
| Contact rating Non-switching Switching Minimum | DC50 V 100 mA DC6 V, 100 mA DC24 V, 25 mA DC20 mV 1 μA |
| Contact resistance | 100 mΩ maximum |
| Insulation resistance | 100 MΩ (DC100 V) minimum |
| Dielectric strength | AC250 V, 60 s |

MECHANICAL CHARACTERISTICS

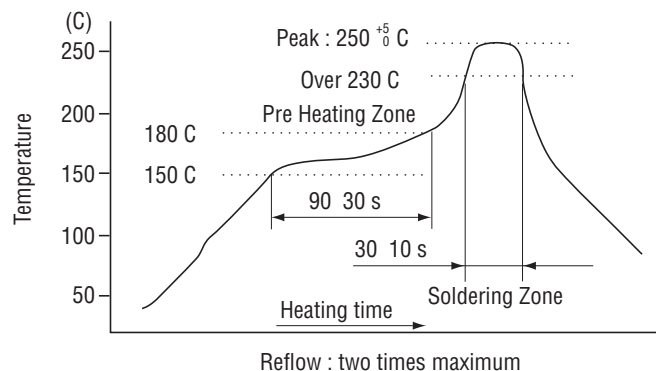
| | |
|-------------------|---|
| Operating force | 5.9 N {0.6 kgf} maximum |
| Stop strength | 10 N {1.02 kgf}, 60 s |
| Solderability | 245 ± 3 °C, 2 ~ 3 s |
| Soldering heat | Reflow : 255 °C (Peak temperature) (Please refer to the profile below) |
| | Manual soldering : 350 ± 10 °C, 3 ~ 4 s |
| Shear (Adhesion) | 5 N {0.51 kgf} 10 s |
| Substrate bending | Width 90 mm, bend 3 mm, 5 s, 1 time |
| Pull-off strength | 5 N {0.51 kgf} 10 s |

{ } : Reference only

ENVIRONMENTAL CHARACTERISTICS

| | |
|---------------------|--|
| Vibration | (Amplitude) 1.5 mm or (Acceleration) 98 m/s ² , 10-500 Hz, 3 directions for 10 cycles each |
| Shock | 490 m/s ² , 11 ms 6 directions for 3 times each |
| Load life | Continuous load 200 cycles, DC6 ± 0.5 V, 100 ± 10 mA |
| Humidity | -10 ~ 65 °C, Relative humidity 0 ~ 96 %, 24 h for 10 cycles |
| High temp. exposure | 85 °C, 96 h |
| Low temp. exposure | -40 °C, 96 h |
| Thermal shock | -40 (0.5 h) ~ 85 °C (0.5 h), 5 cycles |

<Reflow profile for soldering heat evaluation>



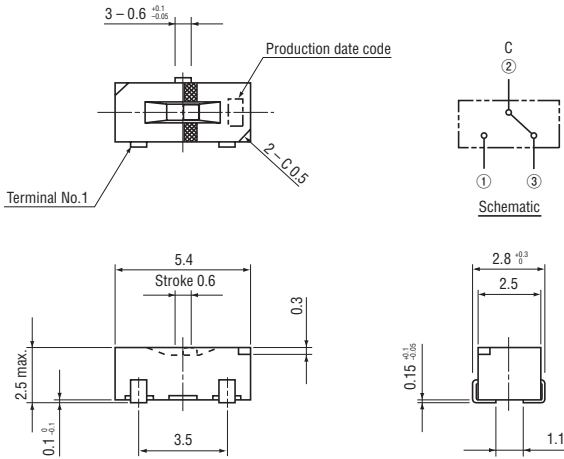
CJS

SLIDE SWITCHES (SMD)

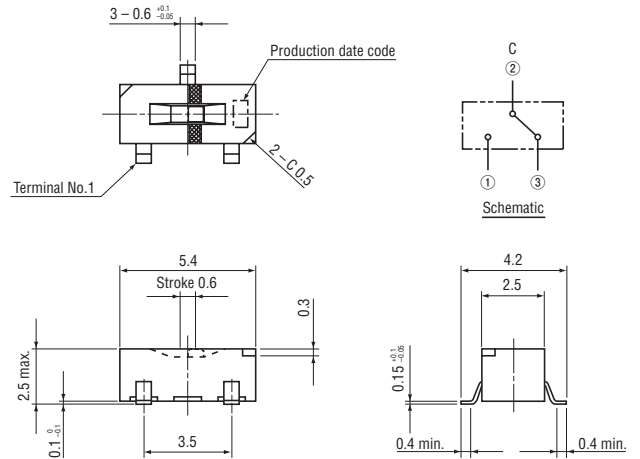
OUTLINE DIMENSIONS

Unless otherwise specified, tolerance : ± 0.3 (Unit : mm)

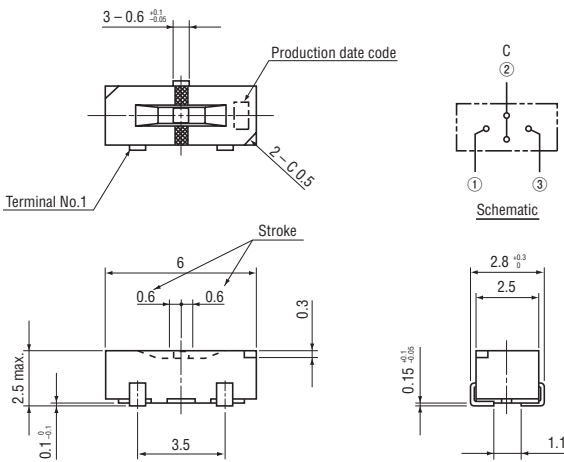
● CJS-1200A1



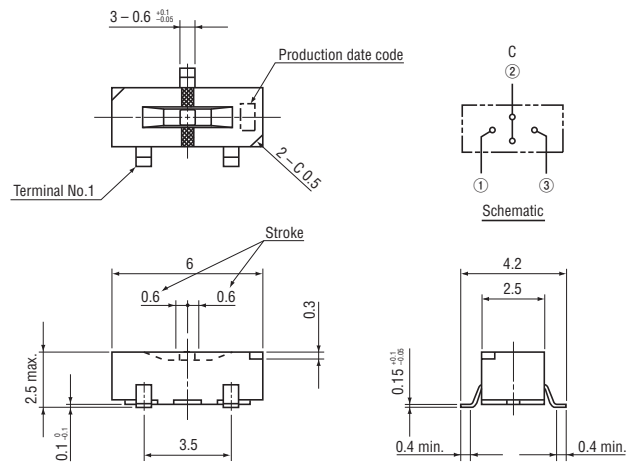
● CJS-1200B1



● CJS-1201A1

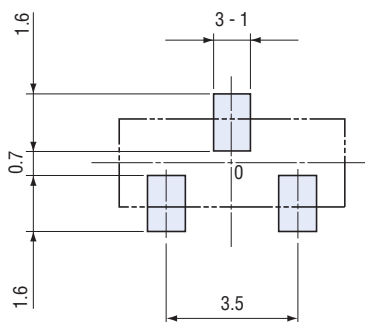


● CJS-1201B1

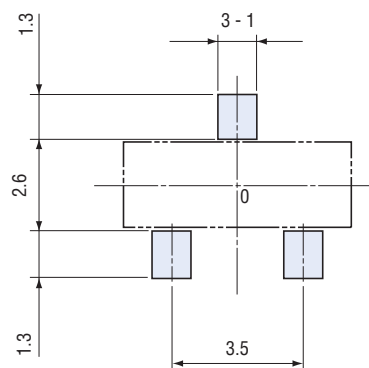


RECOMMENDED P.C.B. PAD OUTLINE DIMENSIONS

A Type



B Type



(Unit : mm)

Note) The zero point is the center of mounting.

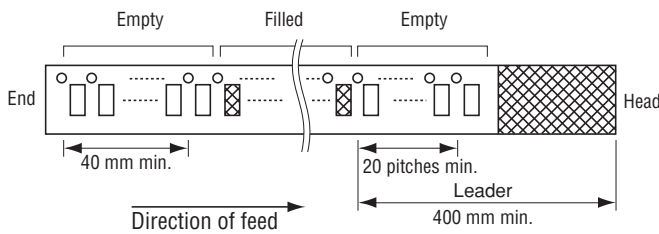
PACKAGING SPECIFICATIONS

<Taping packaging specifications>

- Taping version is packaged in 1000 pcs. per reel.
Orders will be accepted for units of 1000 pcs., i.e., 1000, 2000, 3000 pcs., etc.
- Taping version is boxed with two reels (2000 pcs.).

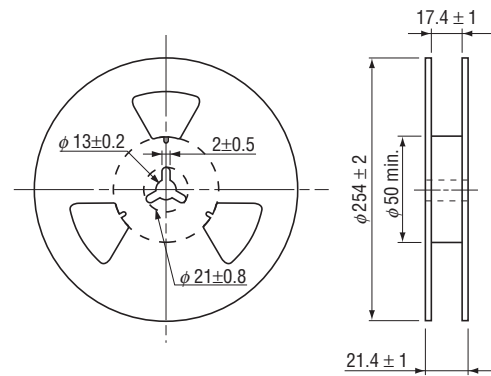
Maximum number of consecutive missing pieces=2
Leader length and reel dimension are shown in the diagrams below:

● Embossed tape dimensions



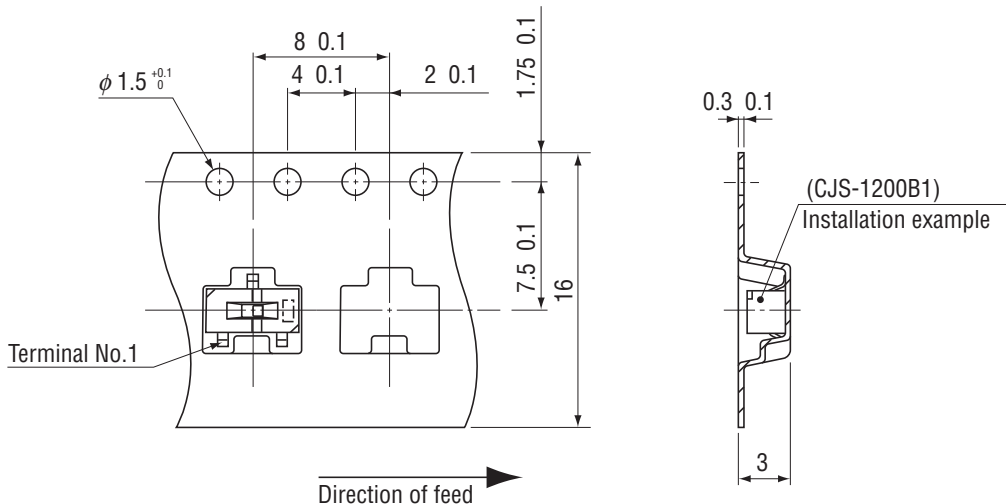
● Reel dimensions

(Unit: mm)
(Conforms to JIS C 0806)



● CJS-1200TA□, 1200TB□, 1201TA□, 1201TB□

(Unit: mm)
(Conforms to JIS C 0806)



<Bulk pack specifications>

- Boxing of bulk pack in a plastic bag is performed with 100 pcs. (standard 500 pcs.) per box.