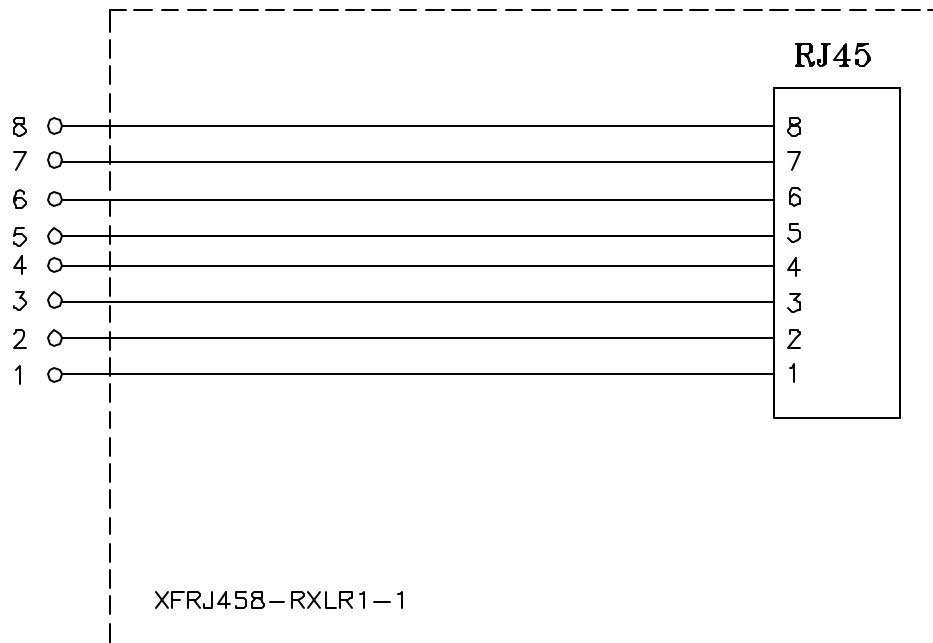


**Schematic:**



**Notes:**

1. Solderability: Leads shall meet MIL-STD-202G, Method 208H for solderability.
2. Flammability: UL94V-0
3. ASTM oxygen index: > 28%
4. UL Recognized Component: File Number E20023B
5. Operating Temperature Range: All listed parameters are to be within tolerance from -40°C to +85°C
6. Storage Temperature Range: -55°C to +125°C
7. Aqueous wash compatible
8. Electrical and mechanical specifications 100% tested
9. RoHS Compliant Component

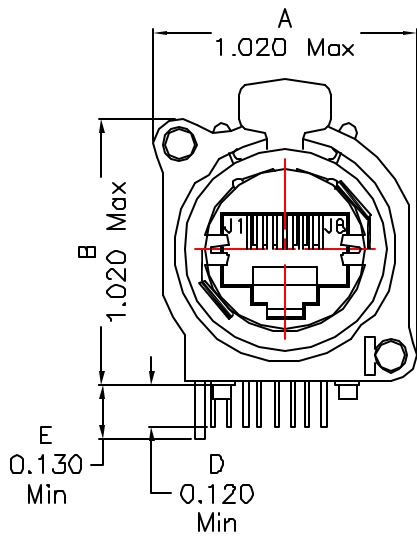
DOC REV: A/2

**PROPRIETARY:**

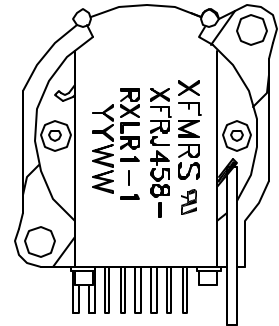
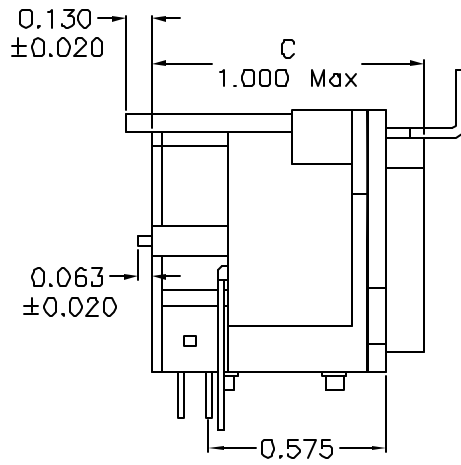
Document is the property of XFMRS Group & is not allowed to be duplicated without authorization.

<b>XFMRS Inc.</b> <a href="http://www.XFMRS.com">www.XFMRS.com</a>	Title: <b>SINGLE PORT XLR</b>		
	UNLESS OTHERWISE SPECIFIED	P/N: XFRJ458-RXLR1-1	REV. A
TOLERANCES: .xxx ±0.010	DWN.	Mei Chen	Sep-15-10
Dimensions in Inch	CHK.	YK Liao	Sep-15-10
SHEET 1 OF 2	APP.	Joe Huff	Sep-15-10

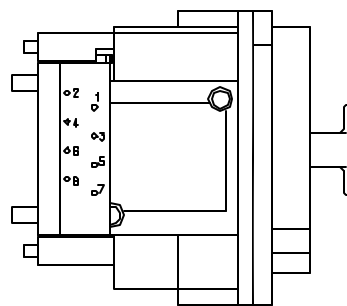
**Mechanical Dimensions:**



Front view

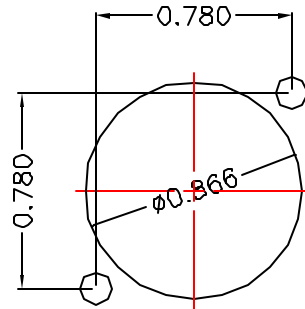
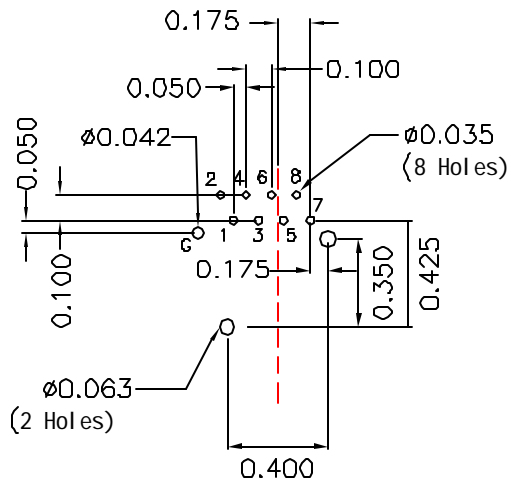


Back view



Bottom view

**Mounting Pattern:**



Panel cut out(rear side)

SUGGESTED MOUNTING PATTERN (COMPONENT SIDE)

DOC. REV: A/2

**PROPRIETARY:**

Document is the property of XFMRS Group & is not allowed to be duplicated without authorization.

XFMRS Inc. www.XFMRS.com	Title: Mechanical Dimensions For RXLR1-1 Series		
	UNLESS OTHERWISE SPECIFIED TOLERANCES: .xxx ±0.010 Dimensions in Inch	P/N: XFRJ458-RXLR1-1	REV. A
SHEET 2 OF 2	DWN.	Mei Chen	Sep-15-10
	CHK.	YK Liao	Sep-15-10
	APP.	Joe Huff	Sep-15-10