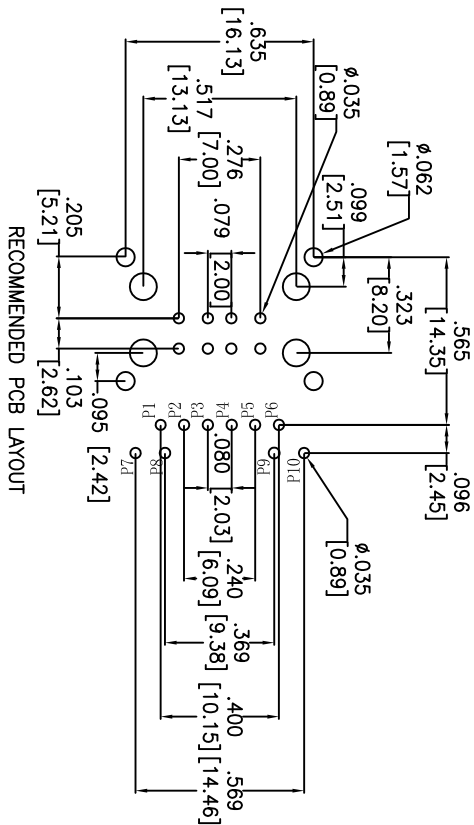
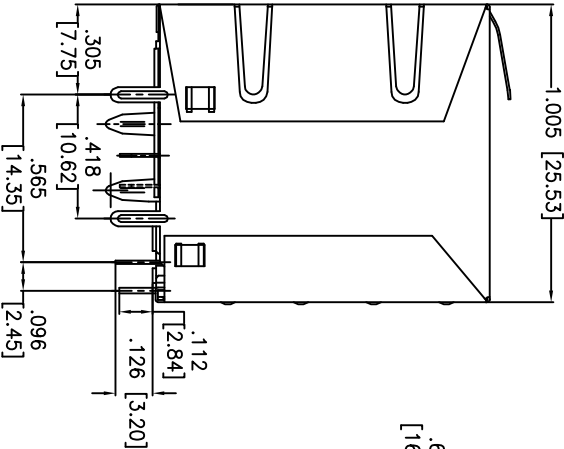
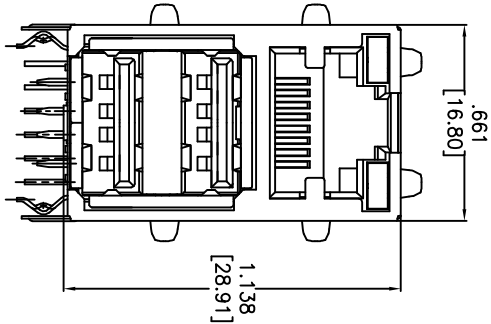
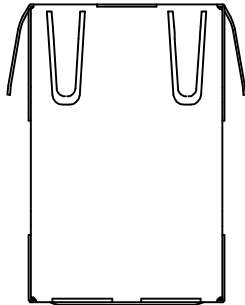


Rev	AWO #	Description	Date	Appr
-		RELEASED	6/24/10	

APPROVED: _____ TITLE: _____
 DATE: _____



SPECIFICATIONS:

Material: Insulator: PBT, glass reinforced, rated UL 94V-0
 Insulator color: Black
 Contacts: Copper Alloy
 Shield: Copper Alloy, Nickel plated
 Contact Plating: Gold Flash over Nickel underplate on contact area, Tin over Copper underplate on tails
 (See chart for thickness).

X	PLATING
0	15 μin Gold
1	30 μin Gold
2	50 μin Gold

Electrical:

Operating voltage: 150 VAC max
 Current rating: 1.5 Amps max
 Contact Resistance: 20 mohms max. Initial
 Insulation resistance: 500 Mohms min. @ 500 VDC
 Dielectric withstanding voltage: 1000 VAC for 1 minut
 Temperature Rating: Operating temperature: -40°C to +125°C
 Environmental: Lead free, RoHS compliant.
 Recommended soldering temp: 235°C for 5 sec.



UNLESS OTHERWISE SPECIFIED
 ALL DIMENSIONS ARE INCHES [MM]
 TOLERANCES: EXCEPT AS NOTED
 INCHES HOLES
 .X ± .10 Ø.X ± .10
 .XX ± .020 Ø.XXX ± .015
 .XXX ± .015 Ø.XXXX ± .010
 APPROVALS DATE

ADAM TECH

909 Rahway Avenue, Union, NJ 07083
 Phone: 908-687-5000 Fax: 908-687-5710

TITLE: MODULAR JACK GANGED, 1 PORT, 8P8C
 W/ LED1 ORN/GRN, LED2 ORN/GRN, DUAL USB

DRAWN	DY	6/24/10
CHECKED		
APPROVED		

SIZE	PART NO.	REV.
X	MTJ-DUSB-88JX1-FS-PG-L-M78	-
REF:	S00005C	SCALE: NTS
		SHEET 1 OF 2