

SCHOTTKY BARRIER RECTIFIERS

VOLTAGE RANGE: 30 - 60 V
CURRENT: 20 A

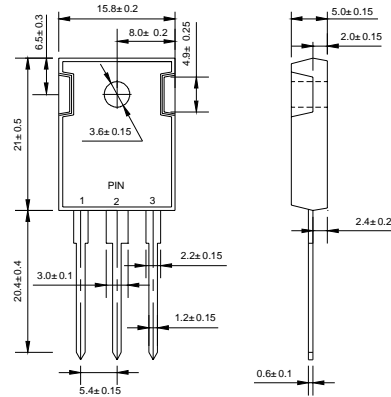
FEATURES

- ◇ High surge capacity.
- ◇ For use in low voltage, high frequency inverters, free wheeling, and polarity protection applications.
- ◇ Metal silicon junction, majority carrier conduction.
- ◇ High current capacity, low forward voltage drop.
- ◇ Guard ring for over voltage protection.

MECHANICAL DATA

- ◇ Case: JEDEC TO-3P(TO-247AD), molded plastic body
- ◇ Terminals: Leads, solderable per MIL-STD-750, Method 2026
- ◇ Polarity: As marked
- ◇ Position: Any
- ◇ Weight: 0.223 ounce, 6.3 grams

TO-3P(TO-247AD)



Dimensions in millimeters

MAXIMUM RATINGS AND ELECTRICAL CHARACTERISTICS

Ratings at 25°C ambient temperature unless otherwise specified.

Single phase, half wave, 60Hz, resistive or inductive load. For capacitive load, derate current by 20%.

		MBR 2030PT	MBR 2035PT	MBR 2040PT	MBR 2045PT	MBR 2050PT	MBR 2060PT	UNITS
Maximum recurrent peak reverse voltage	V_{RRM}	30	35	40	45	50	60	V
Maximum RMS Voltage	V_{RMS}	21	25	28	32	35	42	V
Maximum DC blocking voltage	V_{DC}	30	35	40	45	50	60	V
Maximum average forward total device rectified current @ $T_c = 135^\circ C$	$I_{F(AV)}$	20						A
Peak forward surge current 8.3ms single half sine-wave superimposed on rated load	I_{FSM}	150						A
Maximum forward voltage (Note 1)	V_F	-				0.80	0.70	V
		0.57				0.95	0.85	
		0.84						
		0.72						
Maximum reverse current at rated DC blocking voltage	I_R	0.1				0.15		m A
		15				150		
Maximum thermal resistance (Note2)	$R_{\theta JC}$	2.0						$^\circ C/W$
Operating junction temperature range	T_J	- 55 ---- + 150						$^\circ C$
Storage temperature range	T_{STG}	- 55 ---- + 150						$^\circ C$

NOTE: 1. Pulse test: 300µs pulse width, 1% duty cycle.

2. Thermal resistance from junction to case.

FIG.1 – PEAK FORWARD SURGE CURRENT

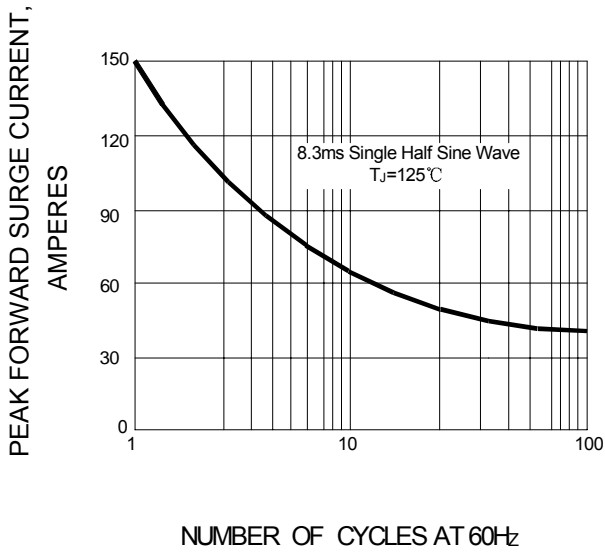


FIG.2 – FORWARD DERATING CURVE

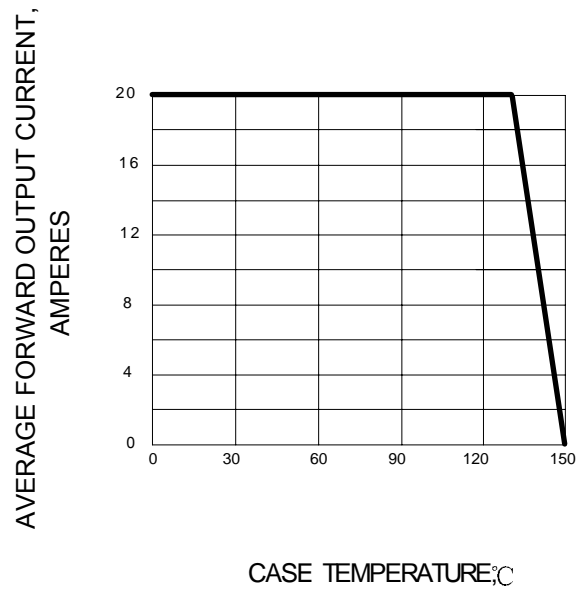


FIG.3 – TYPICAL FORWARD CHARACTERISTIC

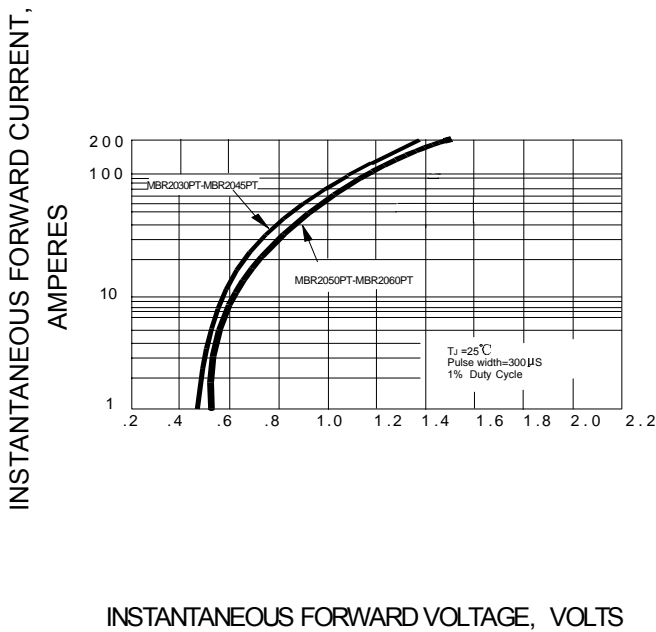


FIG.4 – TYPICAL REVERSE CHARACTERISTIC

