

Rev	AWO #	Description	Date	Appr
-		RELEASED	9/21/09	

6

5

4

3

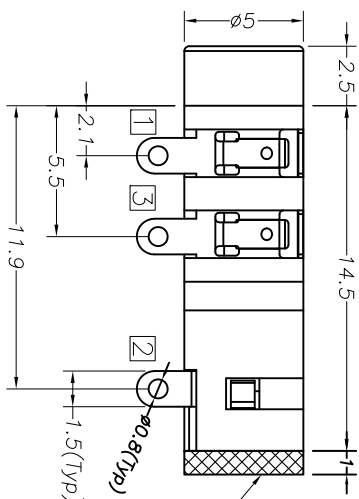
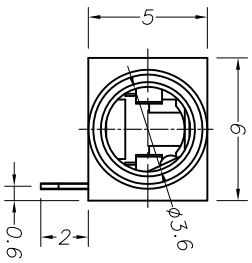
2

1

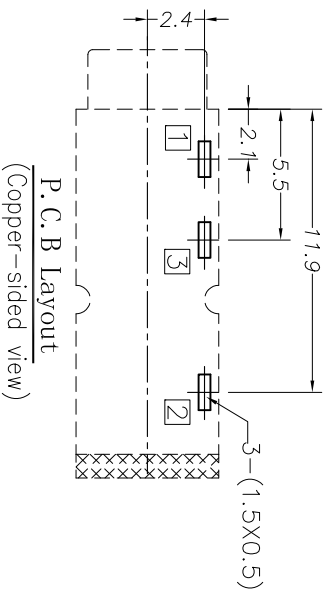
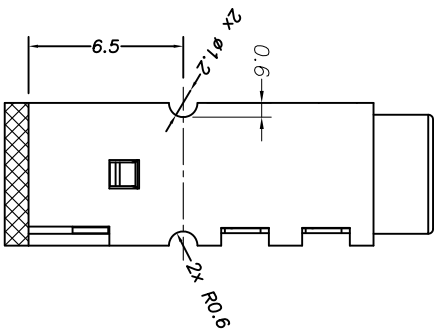
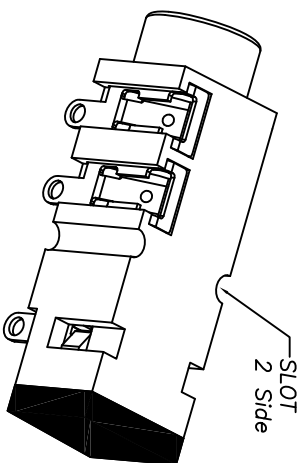
APPROVED: _____

DATE: _____

TITLE: _____



0.039 [1.0mm] THICK SILICONE RUBBER ADHERED TO BACK



NOTE:
1.0mm THICK SILICONE RUBBER GASKET MUST HAVE A 50% COMPRESSION RATIO (MUST BE ABLE TO BE COMPRESSED TO 0.5mm)

SCHEMATIC	WIRE COLOR
	BLK
	W/HT
	RED

SPECIFICATIONS:

- Material: Insulator: PBT, Glass filled, rated UL 94V-0
- Insulator color: Black
- Gasket: Silicone Rubber
- Contacts: Phosphor Bronze, Tin plated
- Electrical: Operating voltage: 30 VDC max. Current rating: 0.5 Amp max. Contact resistance: 30 mohms max. initial Insulation resistance: 100 Mohms min. Dielectric withstanding voltage: 500 VAC for 1 minute
- Temperature Rating: Operating temperature: -40°C to +125°C
- Environmental: Lead free, RoHS compliant.
- Recommended soldering temp: 235°C for 5 sec.

UNLESS OTHERWISE SPECIFIED ALL DIMENSIONS ARE INCHES [MM] TOLERANCES: EXCEPT AS NOTED

INCHES	HOLE
.X ± .10	Ø X ± .10
.XX ± .020	Ø XX ± .015
.XXX ± .015	Ø XXX ± .010

APPROVALS

DRAWN	DT	DATE
CHECKED		
APPROVED		

ADAM TECH

909 Rahway Avenue, Union, NJ 07083
Phone: 908-687-5000 Fax: 908-687-5710

TITLE: STEREO JACK, 3.5mm, THROUGH HOLE, WITH TERMINALS (PCT-006-T)

SIZE	PART NO.	SCALE	SHEET	REV.
X	ASL-15-X-SP7	NTS	1 OF 2	



6

5

4

3

2

1