



# 3RLB-7 SERIES GAS DISCHARGE TUBE

GDT introduction: Gas discharge tubes (GDT) use noble gasses enclosed in ceramic tubes to provide an alternate circuit path for voltage spikes. The ceramic envelope and with nickel connectors allow for high loads and Ruilon offers products that function at 20KA, 40KA, 50KA, 60KA, 100KA & 150KA. The breakdown voltages of the devices have a wide range (up to 20% tolerance). Major applications are high frequency telecommunication lines, stations, security systems, HID and high quality Surge Protection Devices (SPD).

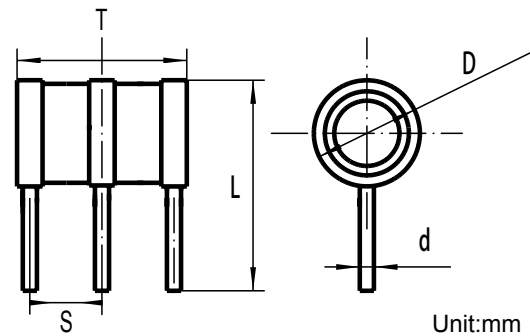


## Features

- Size: 11.5mm\*7.5mm
- DC Spark-over voltage: 75~800V
- Stable breakdown voltage.
- High insulation resistance.
- High holdover voltage.
- Large absorbing transient current capability.
- Low Capacitance
- Micro-Gap Design

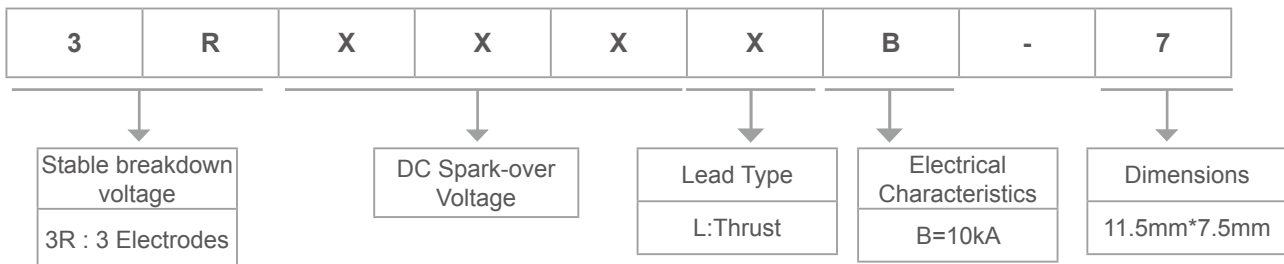
## Applications

- Cable Modem
- xDSL
- Set-Top Box
- Satellite and CATV equipment
- Power supplier
- Consumer electronics
- General telecom equipment



Item	Dimensions	
	Spec.	Tolerance
D	7.5	±0.2
T	11.5	±0.2
L	15	±1
S	4.4	±0.2
d	1.0	±0.05

## Product Name





## Electrical Characteristics

Part Number	DC Spark-over Voltage	Max. Impulse Breakdown Voltage		Max. Impulse Discharge Current (8/20 $\mu$ s)	Impulse Life(10/1000 $\mu$ s)	Normal Alternating Discharge Current	DC Holdover Voltage	Minimum Insulation Resistance	Maximum Capacitance (1MHz)
	100V/S	100V/ $\mu$ s	1KV/ $\mu$ s	10 times	100A	50Hz,1Sec	<150ms		
L Series	(V)	(V)	(V)	(KA)	(Times)	(A)	(V)	(G $\Omega$ )	(pF)
3R075LB-7	75 $\pm$ 20%	600	700	10	300	10	52	1	2
3R090LB-7	90 $\pm$ 20%	600	700	10	300	10	52	1	2
3R150LB-7	150 $\pm$ 20%	500	700	10	300	10	135	1	2
3R200LB-7	200 $\pm$ 20%	500	700	10	300	10	135	1	2
3R230LB-7	230 $\pm$ 20%	600	700	10	300	10	150	1	2
3R250LB-7	250 $\pm$ 20%	600	700	10	300	10	150	1	2
3R350LB-7	350 $\pm$ 20%	700	800	10	300	10	150	1	2
3R400LB-7	400 $\pm$ 20%	800	900	10	300	10	150	1	2
3R470LB-7	470 $\pm$ 20%	900	1000	10	300	10	150	1	2
3R600LB-7	600 $\pm$ 20%	1000	1100	10	300	10	150	1	2

DC Spark-over Voltage	DC Measuring Voltage
75-90V	50V
150-400V	100V
420-600V	250V