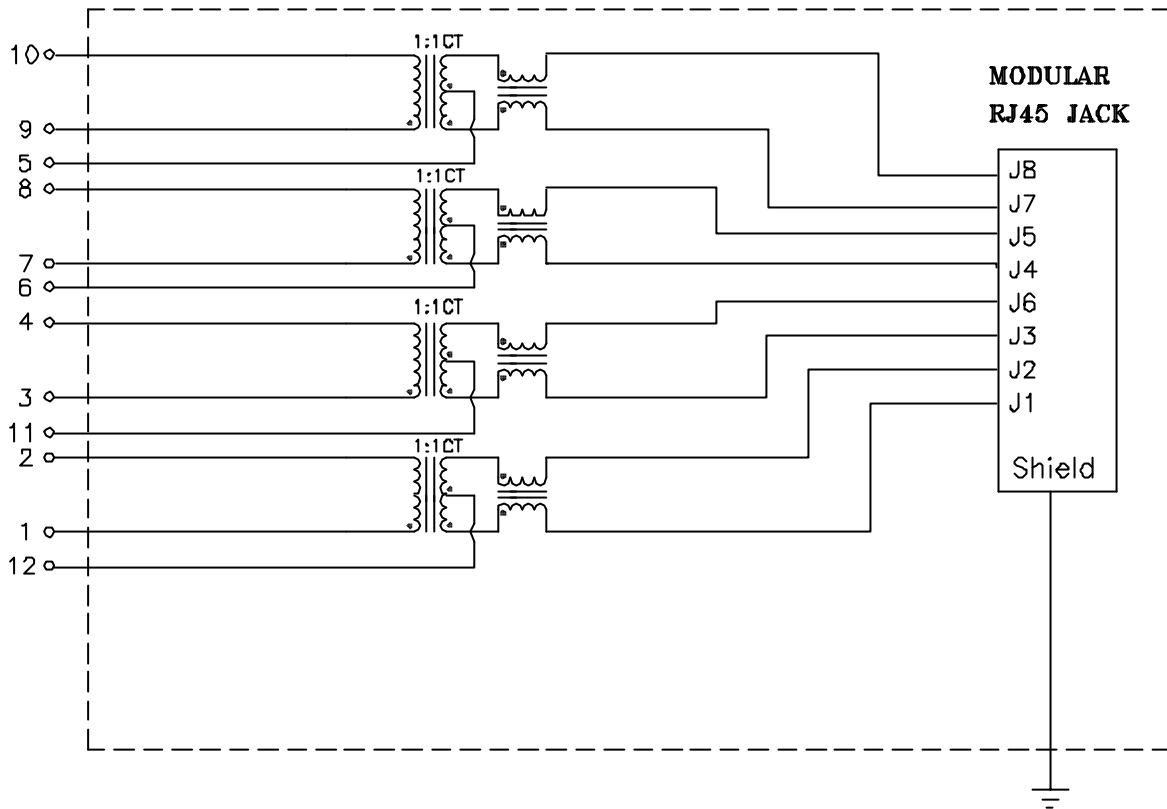


## Schematic: (SINGLE PORT)



### Electrical Specifications: @25°C

ISOLATION: 1500 Vrms

URNS RATIO: {PRI/SEC} 1:1CT ±2%

OCL: 350uH MIN @100KHz 100mV 8mADC

DCR: P5-J7 and P5-J8 mismatch, 3% Max

DCR: P6-J4 and P6-J5 mismatch, 3% Max

Rise Time: 1.75ns Max.

INSERTION LOSS: -1.0dB MAX @1MHz-100MHz

RETURN LOSS:

-18dB Min @1-30MHz -15dB Min @30-40MHz

-13dB Min @40-50MHz -10dB Min @50-100MHz

Common Mode Rejection:

-43dB Min @1-30MHz -37dB Min @30-60MHz

-33dB Typ @60-125MHz

Crosstalk: -45dB Min @0.3-30MHz

-43dB Min @30-60MHz -42dB Typ @60-100MHz

Balanced DC Line Current: 700mA Max @57Vdc continuous Pins 5,6,11,12

1200mA Max @57Vdc for 200milliseconds Pins 5,6,11,12

#### Notes:

1. Solderability: Leads shall meet MIL-STD-202G, Method 208H for solderability.
2. Flammability: UL94V-0
3. ASTM oxygen index: > 28%
4. Insulation System: Class F 155°C. UL file E151556
5. Operating Temperature Range: All listed parameters are to be within tolerance from -40°C to +85°C
6. Storage Temperature Range: -55°C to +125°C
7. Aqueous wash compatible
8. Electrical and mechanical specifications 100% tested
9. RoHS Compliant Component
10. Contact Plating: 30microns of Gold

DOC REV.: A/1

**XFMRs Inc.**  
www.XFMRS.com

Title:

SINGLE PORT COMBO

UNLESS OTHERWISE SPECIFIED

P/N: XFGIB100BPOL-CT1-2L

REV. A

TOLERANCES:

DWN.

Juan Mao

Feb-04-08

.xxx ±0.010

Dimensions in Inch

CHK.

YK Liao

Feb-04-08

SHEET 1 OF 2

APP.

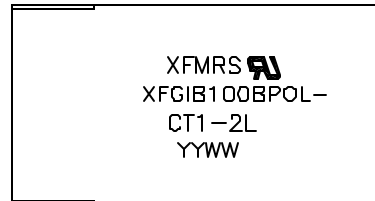
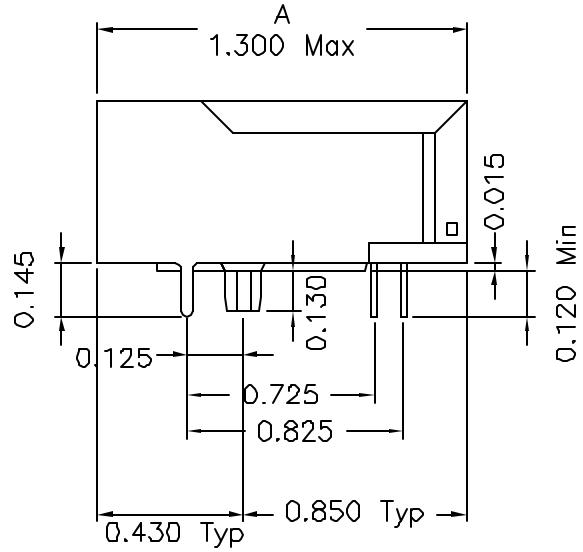
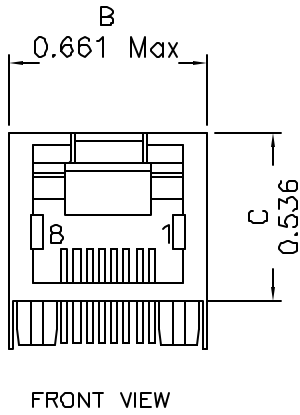
BW

Feb-04-08

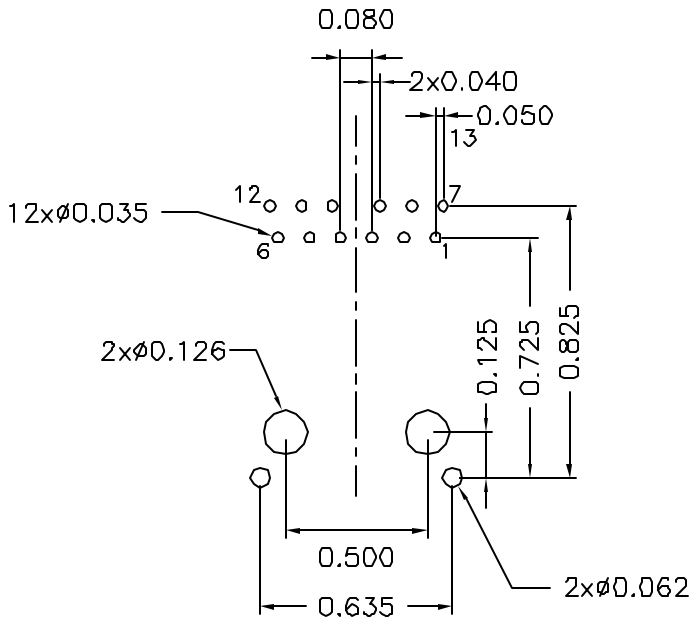
**PROPRIETARY:**

Document is the property of XFMRs Group & is not allowed to be duplicated without authorization.

**Mechanical Dimensions:**



**Mounting Pattern:**



DOC REV: A/1

|                                   |  |                          |           |
|-----------------------------------|--|--------------------------|-----------|
| <b>XFMRS Inc</b><br>www.XFMRS.com | Title: Mechanical Dimensions<br>For TAB UP RJ45 COMBO                          |                          |           |
|                                   | UNLESS OTHERWISE SPECIFIED<br>TOLERANCES:<br>.xxx ±0.010<br>Dimensions in Inch | P/N: XFGIB100BPOL-CT1-2L | REV. A    |
|                                   | DWN.   | Juan Mao                 | Feb-04-08 |
|                                   | CHK.   | YK liao                  | Feb-04-08 |
| SHEET 2 OF 2                      | APP.   | BW                       | Feb-04-08 |

**PROPRIETARY:**

Document is the property of XFMRS Group & is not allowed to be duplicated without authorization.