

## Low Noise FTTx Amplifier 50 - 1000 MHz

Rev. V3

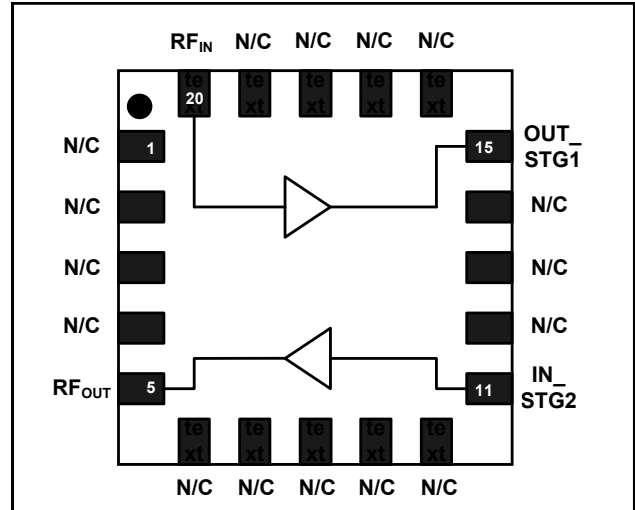
### Features

- Low Distortion
- Low Noise Figure
- Lead-Free 4 mm 20-Lead PQFN Package
- Halogen-Free “Green” Mold Compound
- 260°C Reflow Compatible

### Description

M/A-COM’s MAAM-007796 is a GaAs PHEMT MMIC amplifier in a lead-free 4 mm 20-lead PQFN package. The Amplifier is designed to meet the high gain, high linearity and low noise requirements of FTTx receivers.

### Functional Schematic



### Ordering Information <sup>1,2</sup>

Part Number	Package
MAAM-007796-TR1000	1000 piece reel
MAAM-007796-TR3000	3000 piece reel
MAAM-007796-000SMB	Sample Test Board

1. Reference Application Note M513 for reel size information.
2. All sample boards include 5 loose parts.

### Absolute Maximum Ratings <sup>3,4</sup>

Parameter	Absolute Maximum
Input Power	+5 dBm
Operating Voltage	+10 volts
Operating Temperature	-40°C to +85°C
Storage Temperature	-65°C to +150°C

3. Exceeding any one or combination of these limits may cause permanent damage to this device.
4. M/A-COM does not recommend sustained operation near these survivability limits.

### Pin Configuration <sup>5</sup>

Pin No.	Pin Name	Description
1	N/C	No Connection
2	N/C	No Connection
3	N/C	No Connection
4	N/C	No Connection
5	RF_OUT	RF Output
6	N/C	No Connection
7	N/C	No Connection
8	N/C	No Connection
9	N/C	No Connection
10	N/C	No Connection
11	IN_STG2	STAGE 2 RF Input
12	N/C	No Connection
13	N/C	No Connection
14	N/C	No Connection
15	OUT_STG1	STAGE 1 RF Output
16	N/C	No Connection
17	N/C	No Connection
18	N/C	No Connection
19	N/C	No Connection
20	RF_IN	RF Input

5. The exposed pad centered on the package bottom must be connected to RF and DC ground.

\* Restrictions on Hazardous Substances, European Union Directive 2002/95/EC.

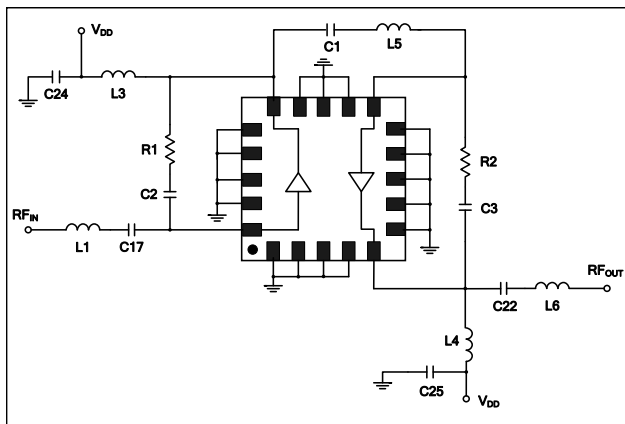
## Low Noise FTTx Amplifier 50 - 1000 MHz

Rev. V3

**Electrical Specifications:**  $T_A = 25^\circ\text{C}$ , Freq: 50 - 1000 MHz,  $V_{DD} = +5$  Volts,  $Z_0 = 75 \Omega$

Parameter	Test Conditions	Units	Min.	Typ.	Max.
Gain	$RF_{IN}$ to $RF_{OUT}$	dB	20	21	22
Gain Flatness	$RF_{IN}$ to $RF_{OUT}$	dB	0	0.4	0.7
Noise Figure	$RF_{IN}$ to $RF_{OUT}$	dB	3	3.8	5.3
Input Return Loss	$RF_{IN}$	dB	-	15	-
Output Return Loss	$RF_{OUT}$	dB	-	15	-
Output IP3	Two tones at 397 & 403 MHz, +5 dBm output per tone	dBm	-	35	-
Composite Triple Beat, CTB	132 Channels, +20 dBmV/Channel at the Output	dBc	-	-70	-
Composite Second Order, CSO	132 Channels, +20 dBmV/Channel at the Output	dBc	-	-70	-68
Cross modulation	132 Channels, +20 dBmV/Channel at the Output	dBc	-	-70	-
P1dB	400 MHz	dBm	-	20	-
$I_{DD}$	$V_{DD} = +5$ Volts	mA	140	160	180

### Test Circuit Schematic



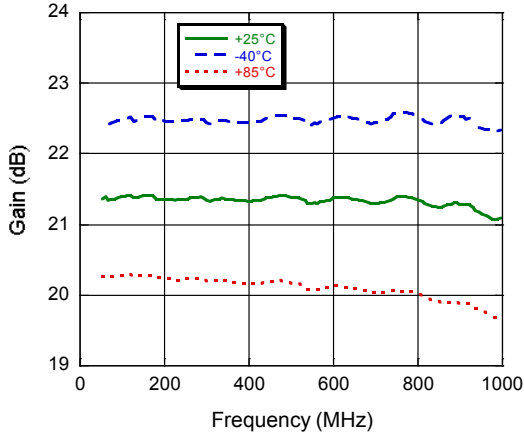
### Off-Chip Component Values <sup>6</sup>

Component	Value	Package
C1-C3, C17, C22, C24-C25	0.01 $\mu\text{F}$	0402
L1	5.6 nH	0402
L3, L4	1.0 $\mu\text{H}$	1210
L5	3.9 nH	0402
L6	4.7 nH	0402
R1, R2	300 $\Omega$	0402

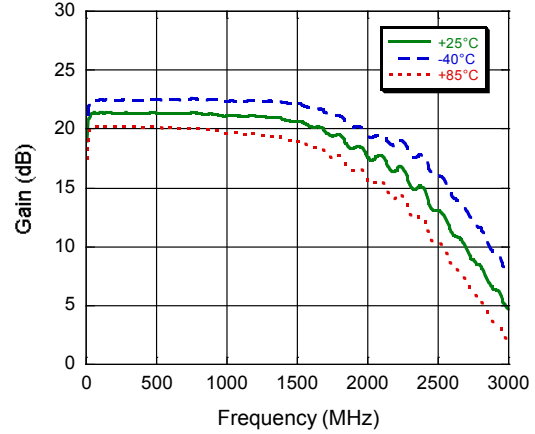
6. L3 and L4 supplied from EPCOS, part number B82422A1102K100.

## Typical Performance Curves

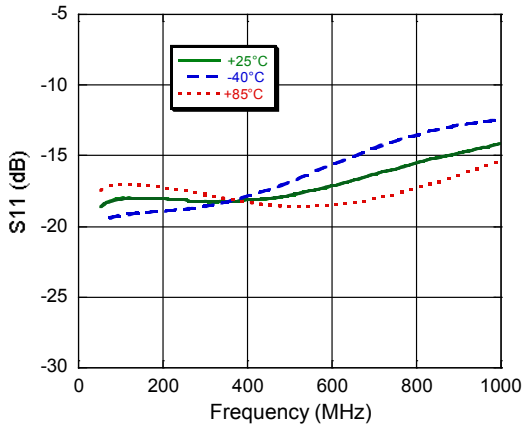
**Gain vs. Frequency over Temperature to 1 GHz**



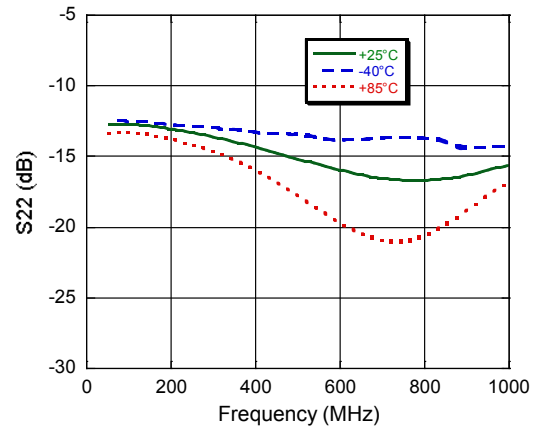
**Gain vs. Frequency over Temperature to 3 GHz**



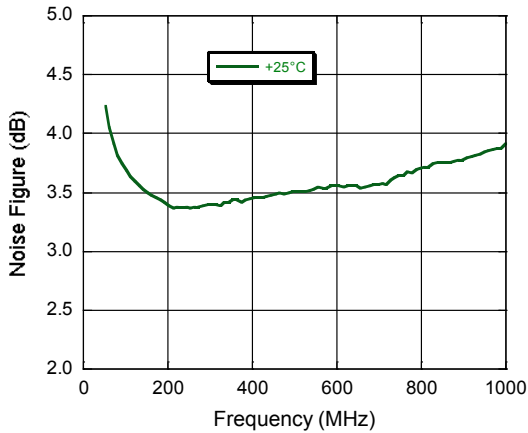
**Input Return Loss vs. Frequency over Temperature**



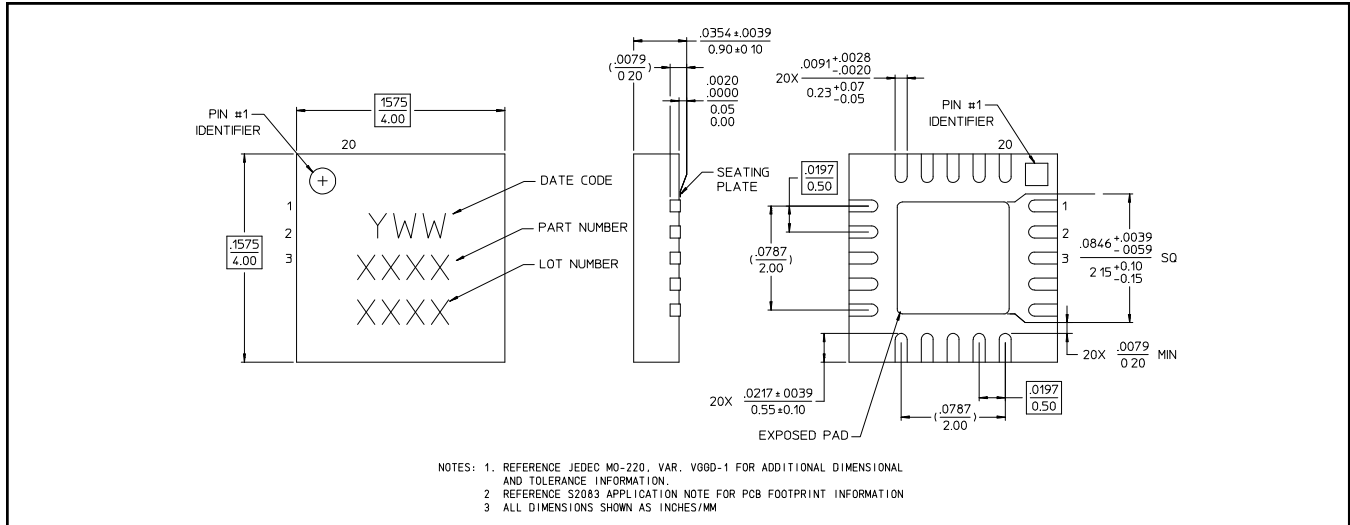
**Output Return Loss vs. Frequency over Temperature**



**Noise Figure vs. Frequency**



**Lead-Free 4 mm 20-Lead PQFN†**



† Reference Application Note S2083 for lead-free solder reflow recommendations.  
 Meets JEDEC moisture sensitivity level 1 requirements.  
 Plating is 100% matte tin over copper.

## Handling Procedures

Please observe the following precautions to avoid damage:

## Static Sensitivity

Gallium Arsenide Integrated Circuits are sensitive to electrostatic discharge (ESD) and can be damaged by static electricity. Proper ESD control techniques should be used when handling these devices.

M/A-COM Technology Solutions Inc. All rights reserved.

Information in this document is provided in connection with M/A-COM Technology Solutions Inc ("MACOM") products. These materials are provided by MACOM as a service to its customers and may be used for informational purposes only. Except as provided in MACOM's Terms and Conditions of Sale for such products or in any separate agreement related to this document, MACOM assumes no liability whatsoever. MACOM assumes no responsibility for errors or omissions in these materials. MACOM may make changes to specifications and product descriptions at any time, without notice. MACOM makes no commitment to update the information and shall have no responsibility whatsoever for conflicts or incompatibilities arising from future changes to its specifications and product descriptions. No license, express or implied, by estoppel or otherwise, to any intellectual property rights is granted by this document.

THESE MATERIALS ARE PROVIDED "AS IS" WITHOUT WARRANTY OF ANY KIND, EITHER EXPRESS OR IMPLIED, RELATING TO SALE AND/OR USE OF MACOM PRODUCTS INCLUDING LIABILITY OR WARRANTIES RELATING TO FITNESS FOR A PARTICULAR PURPOSE, CONSEQUENTIAL OR INCIDENTAL DAMAGES, MERCHANTABILITY, OR INFRINGEMENT OF ANY PATENT, COPYRIGHT OR OTHER INTELLECTUAL PROPERTY RIGHT. MACOM FURTHER DOES NOT WARRANT THE ACCURACY OR COMPLETENESS OF THE INFORMATION, TEXT, GRAPHICS OR OTHER ITEMS CONTAINED WITHIN THESE MATERIALS. MACOM SHALL NOT BE LIABLE FOR ANY SPECIAL, INDIRECT, INCIDENTAL, OR CONSEQUENTIAL DAMAGES, INCLUDING WITHOUT LIMITATION, LOST REVENUES OR LOST PROFITS, WHICH MAY RESULT FROM THE USE OF THESE MATERIALS.

MACOM products are not intended for use in medical, lifesaving or life sustaining applications. MACOM customers using or selling MACOM products for use in such applications do so at their own risk and agree to fully indemnify MACOM for any damages resulting from such improper use or sale.

5

---

*M/A-COM Technology Solutions Inc. (MACOM) and its affiliates reserve the right to make changes to the product(s) or information contained herein without notice.*  
Visit [www.macom.com](http://www.macom.com) for additional data sheets and product information.