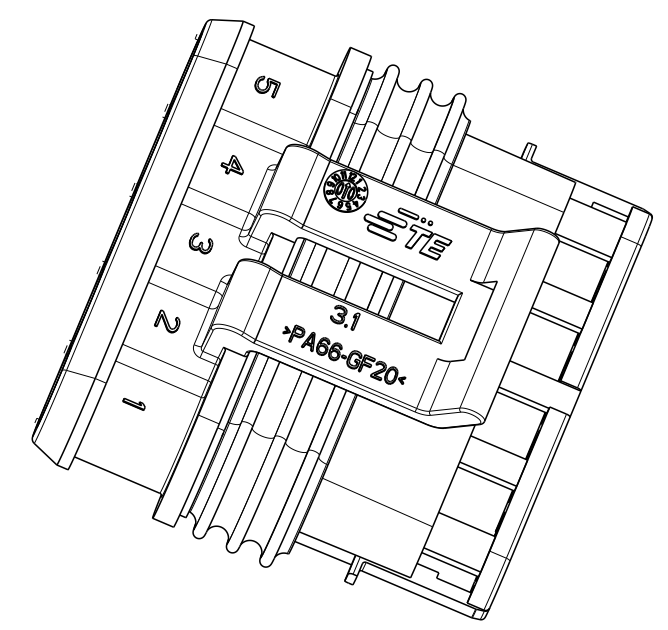
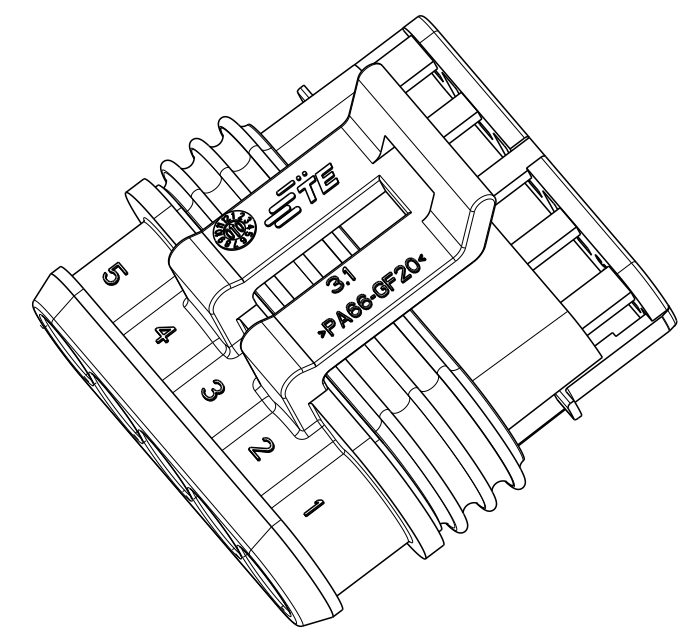
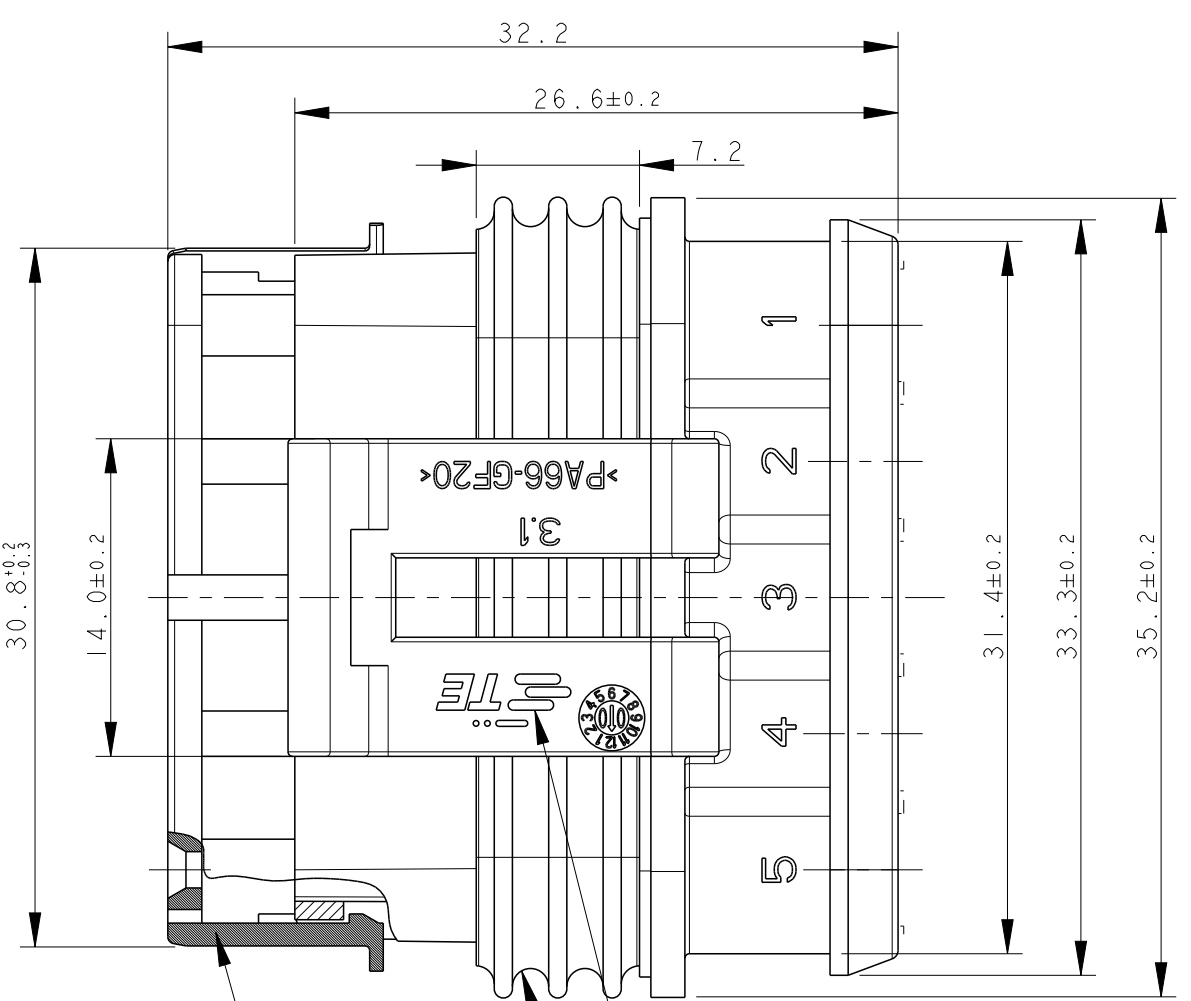
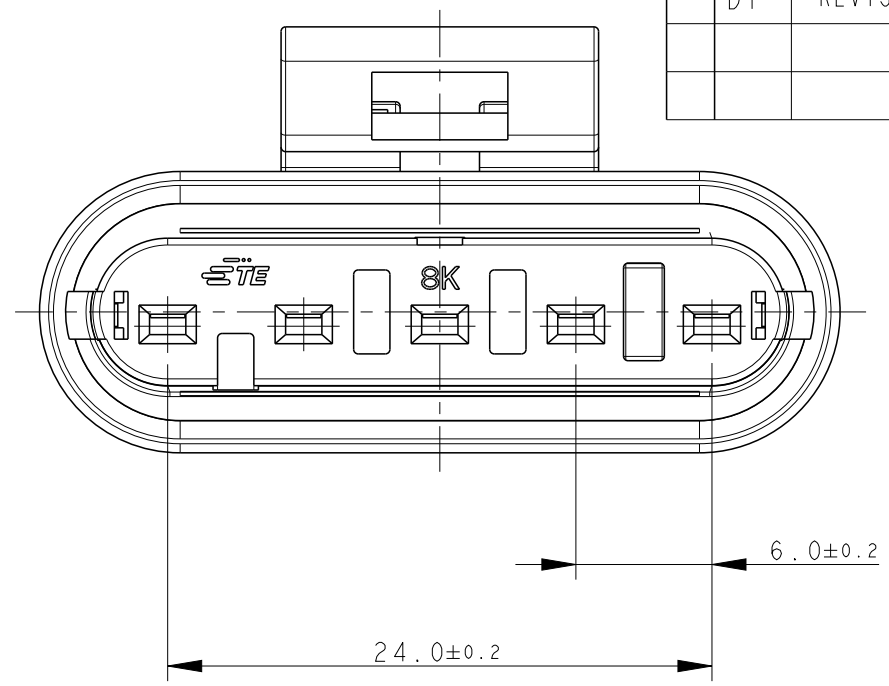
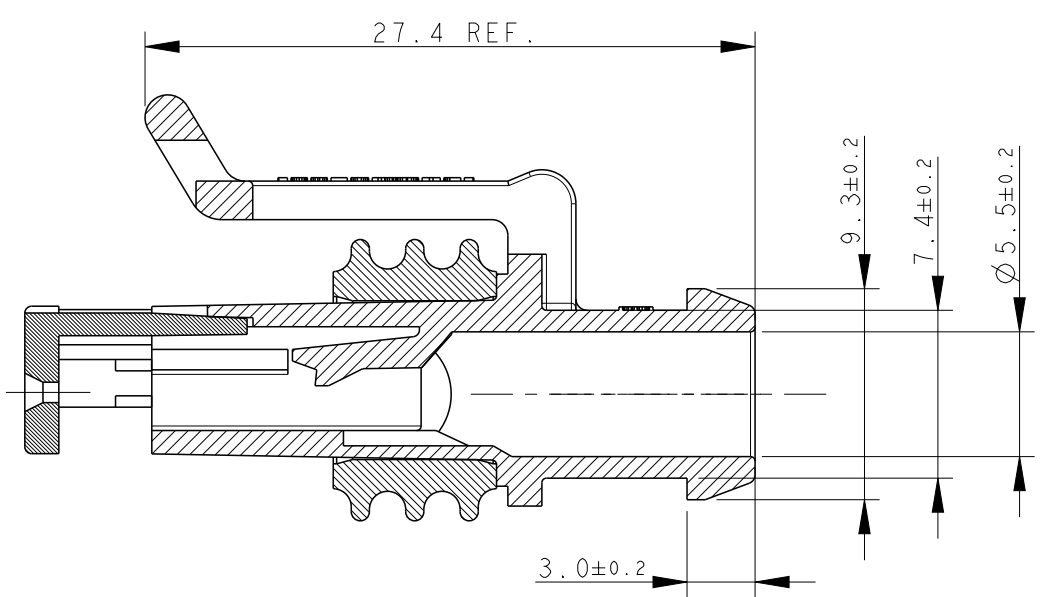


THIS DRAWING IS UNPUBLISHED. RELEASED FOR PUBLICATION 2011  
© COPYRIGHT 2011 BY - ALL RIGHTS RESERVED.

REVISIONS

| P  | LTR | DESCRIPTION             | DATE      | DWN  | APVD |
|----|-----|-------------------------|-----------|------|------|
| D  |     | ECR-14-009314           | 24MAR2015 | M.P. | M.G. |
| DI |     | REVISED (ECR-15-014031) | 25SEP2015 | M.G. | M.G. |



1) FOR COUNTERPART DETAILS, SEE SHEET 2 OF 2

| FINISH/COLOR | MATERIAL                                  | PART NUMBER |
|--------------|---|-------------|
| GRAY         | HOUSING+SEC.LOCK: PA66-GF<br>SEALING: LSR | 282089-2    |
| BLACK        | HOUSING+SEC.LOCK: PA66-GF<br>SEALING: LSR | 282089-1    |

TE CONNECTIVITY TRADE MARK,  
(IN ALTERNATIVE: "AMP" LOGO,  
OR "Tyco Electronics" LOGO)

SEALING  
(COLOUR YELLOW)

PRE-ASSEMBLED SECONDARY LOCK  
(COLOUR RED)

THIS DRAWING IS A CONTROLLED DOCUMENT.

DWN C. BERTINI 05-1992  
CHK A. BRUNI 05-1992  
APVD -

NAME -

PRODUCT SPEC 108-20090  
APPLICATION SPEC 412-20000  
WEIGHT 5.45gr

Customer Drawing

SCALE 3:1 SHEET 1 OF 2 REV DI

TE Connectivity

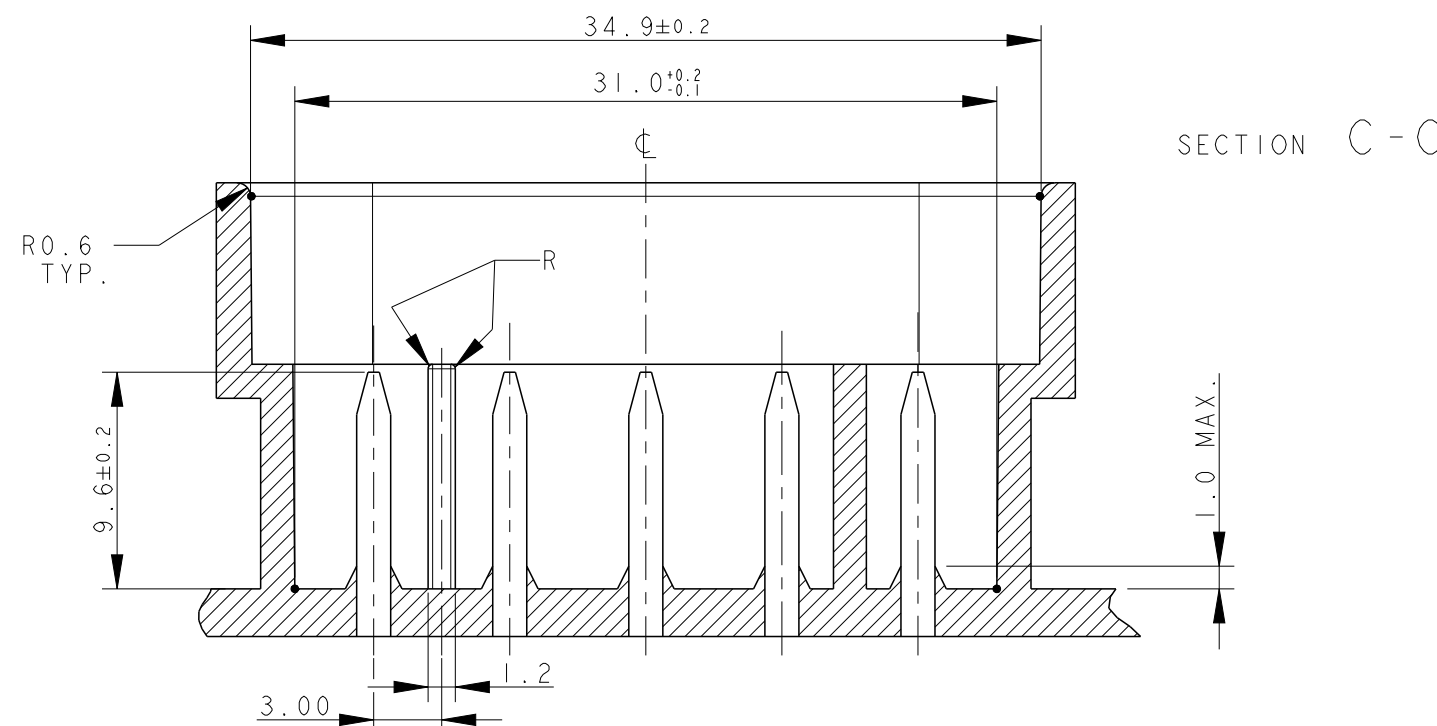
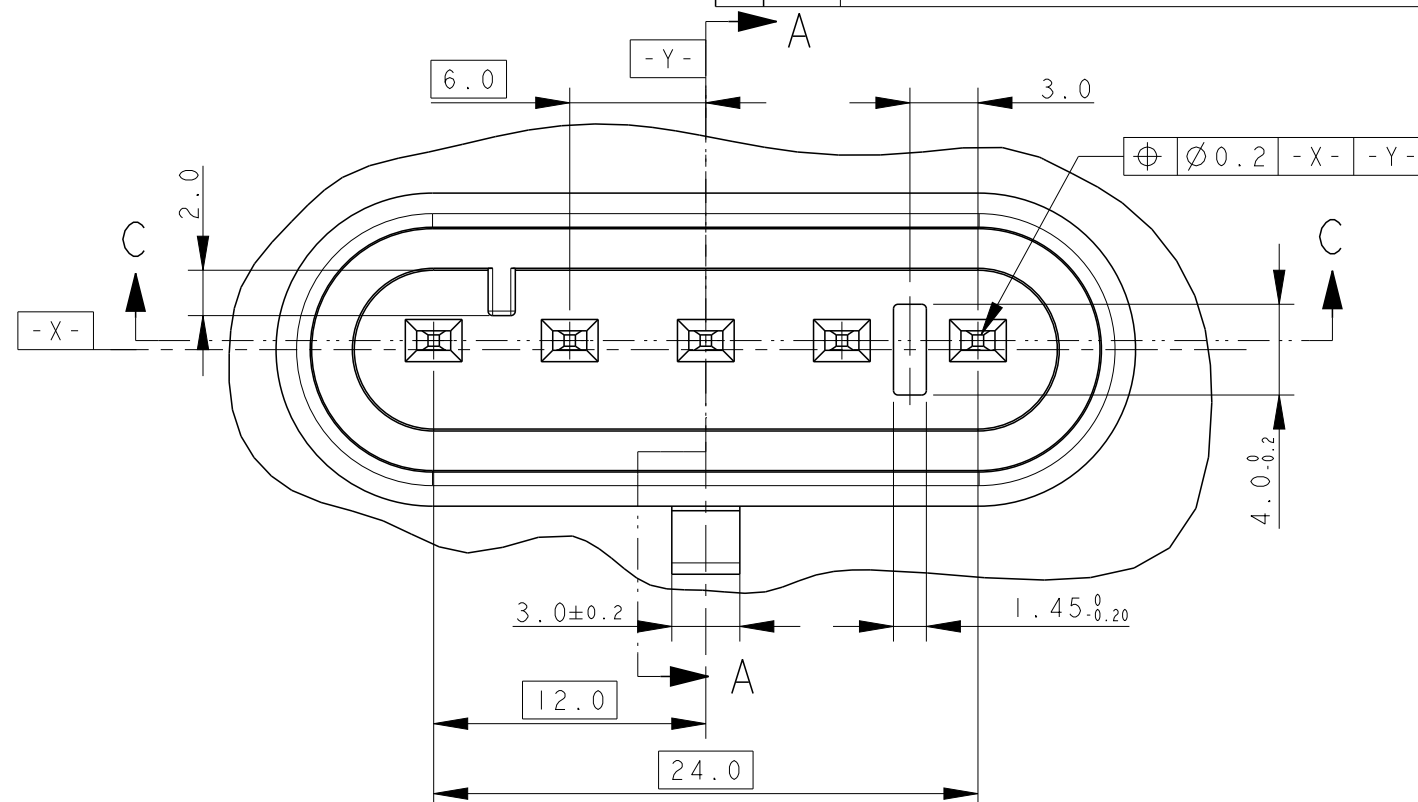
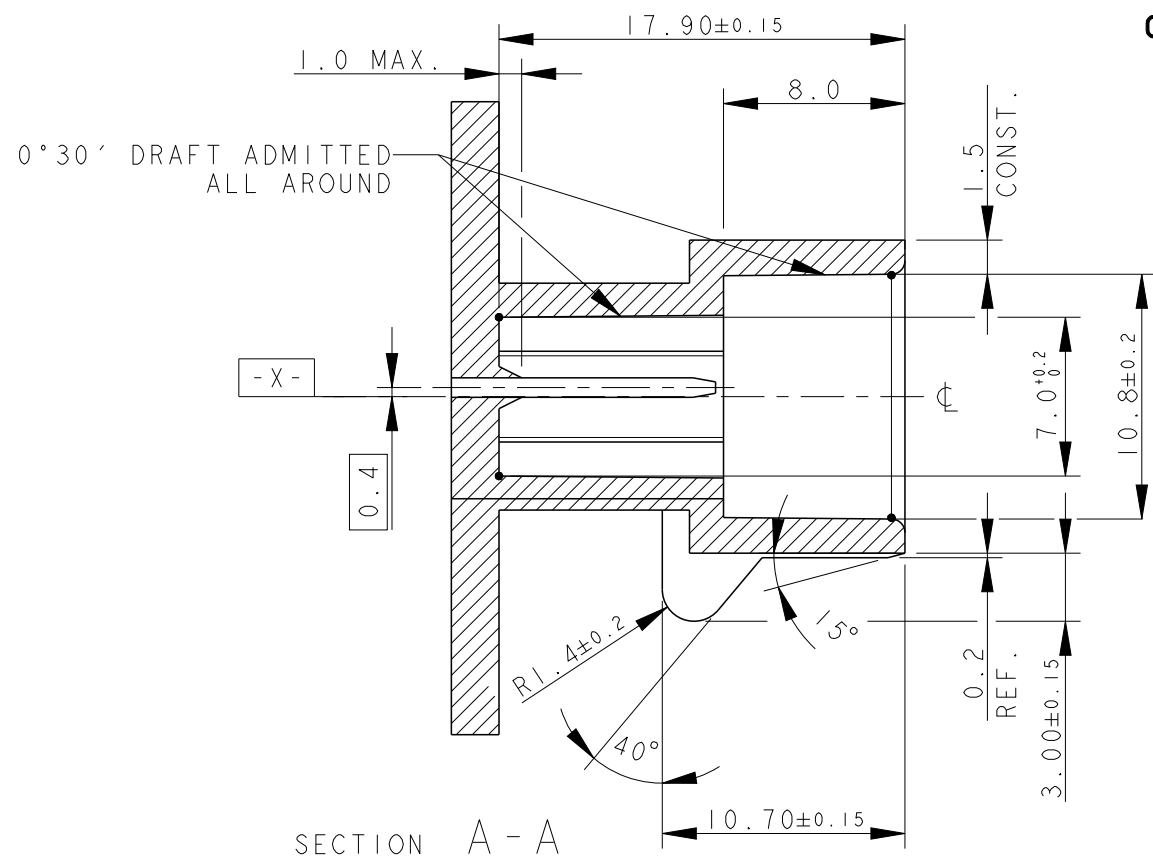
AMP SUPERSEAL 1.5 SRS.  
5 POSITIONS PLUG ASS'Y

SIZE A3 CAGE CODE 00779 DRAWING NO. C-282089 RESTRICTED TO -

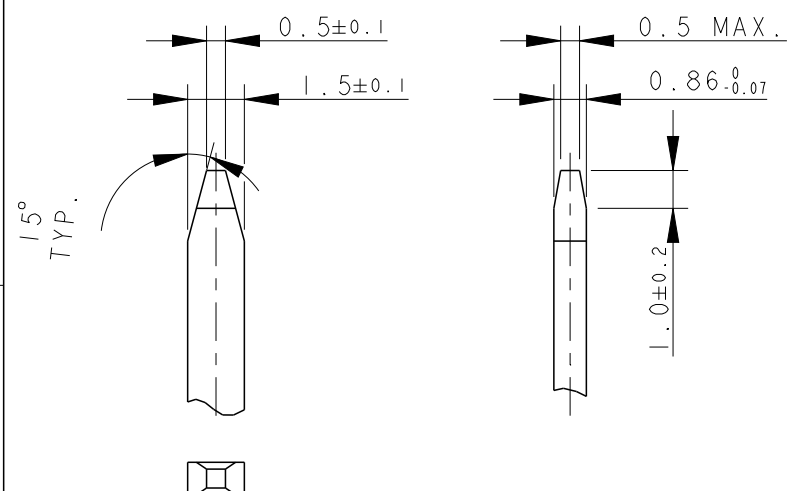
| DIMENSIONS: | TOLERANCES UNLESS OTHERWISE SPECIFIED: |
|-------------|--|
| mm          |  |
|             | 0 PLC ±                                |
|             | 1 PLC ±0.3                             |
|             | 2 PLC ±                                |
|             | 3 PLC ±                                |
|             | 4 PLC ±                                |
|             | ANGLES ±2°                             |
| MATERIAL    | FINISH                                 |
| SEE TABLE   | SEE TABLE                              |

| P | LTR | DESCRIPTION | DATE | DWN | APVD |
|---|-----|-------------|------|-----|------|
|   |     | SEE SHEET 1 |      |     |      |

### COUNTERPART DETAILS



### TAB DETAILS



MATERIALS: PA66-GF FOR HOUSING  
TIN PLATED BRASS FOR TABS

THIS DRAWING IS A CONTROLLED DOCUMENT.

DWN C. BERTINI 05-1992

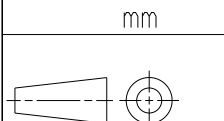
CHK A. BRUNI 05-1992

APVD -

NAME -

DIMENSIONS: mm

TOLERANCES UNLESS OTHERWISE SPECIFIED:



- 0 PLC ±0.3
- 1 PLC ±0.1
- 2 PLC ±0.05
- 3 PLC ±
- 4 PLC ±
- ANGLES ±2°
- FINISH

MATERIAL

PRODUCT SPEC 108-20090

APPLICATION SPEC 412-20000

WEIGHT 5.45gr



AMP SUPERSEAL 1.5 SRS. 5 POSITIONS PLUG ASS'Y

|         |           |            |               |
|---------|-----------|------------|---------------|
| SIZE    | CAGE CODE | DRAWING NO | RESTRICTED TO |
| A300779 | C=282089  |            | -             |

|                  |           |              |        |
|------------------|-----------|--------------|--------|
| Customer Drawing | SCALE 1:1 | SHEET 2 OF 2 | REV D1 |
|------------------|-----------|--------------|--------|