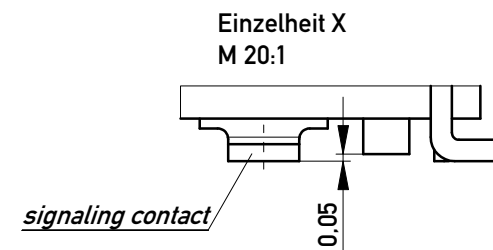
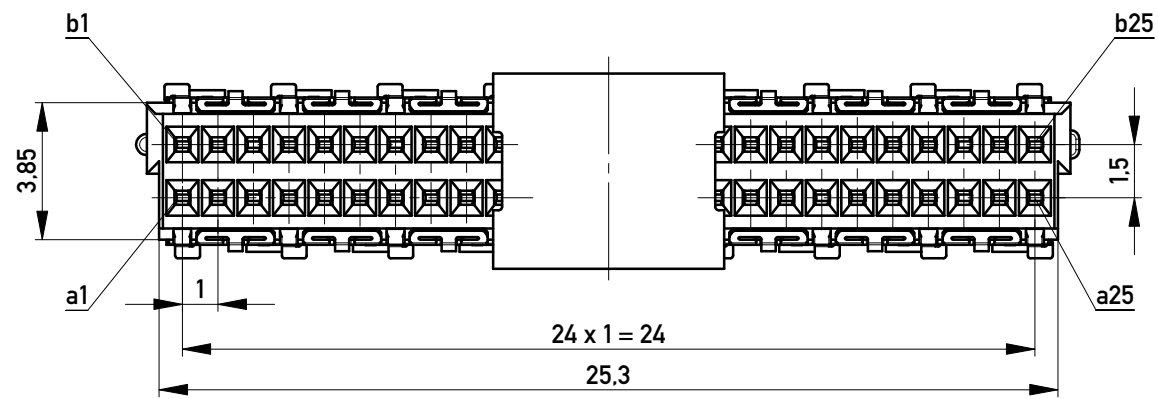
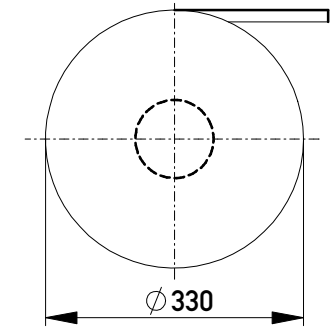
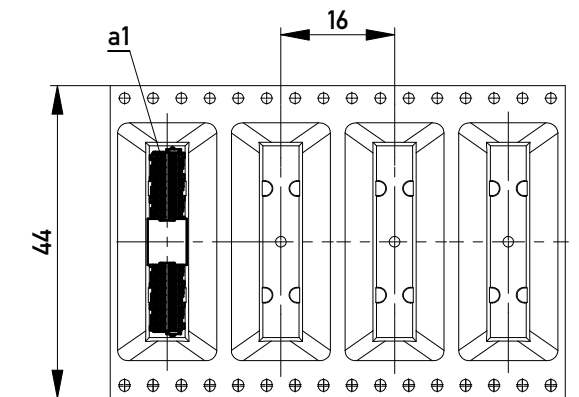


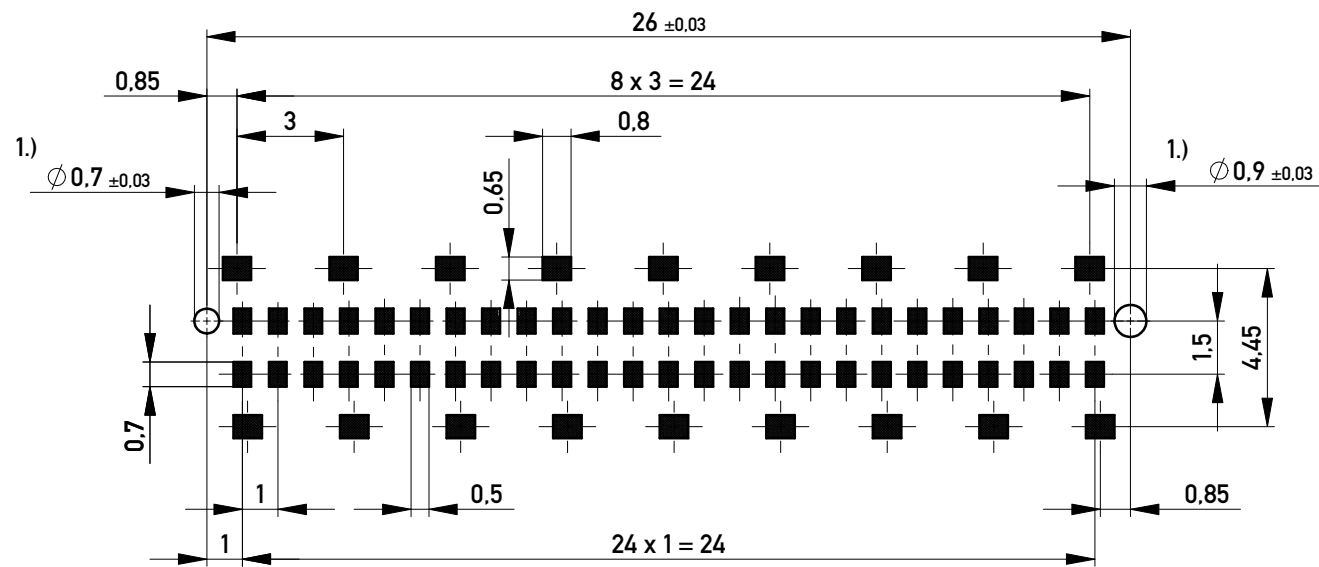
Verpackt in Gurtverpackung
Tape on Reel Packaging
Verpackungseinheit: 260 Stück
Packaging unit: 260 pcs



Abspulrichtung - Reel off Direction



Leiterplatten-Layout Vorschlag / PCB-layout proposal



1.) Durchmesser des Bohrers / Drill tool

Anforderungsstufe 1
Performance Level 1

Kontaktbereich vergoldet
Mating Area gold plating

Anschlussbereich verzinkt 4-6 µm
Terminal Area 4-6 µm tin plating

Koplanarität der Anschlüsse ≤ 0,1 mm
Coplanarity Area of Termination ≤ 0,1 mm

Information: All rights reserved. Only for Information. To ensure that this is the latest version of this drawing, please contact one of the ERNI companies before using.	Tolerances All Dimensions in mm	Scale 5:1
	Designation Federleiste 8mm SMD, 50 polig Female 8mm SMD, 50 contacts	
www.ERNI.com		100800560001
f Index	18.04.2016 Date	Class MSPEED

Copyright by ERNI Production GmbH & Co. KG
Proprietary notice pursuant to ISO 16016 to be observed.