

New Product Announcement ZXCT11 series



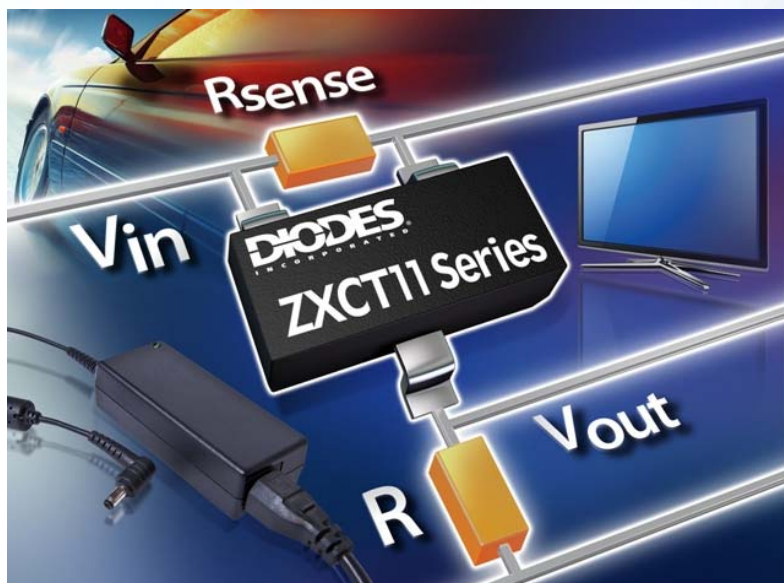
Low power high side current monitors

The ZXCT1107/09/10 are simple high side current monitors. These devices eliminate the need to disrupt the ground plane when sensing a load current.

The wide common-mode input voltage range (from 2.5 to 36V) and low quiescent current ($3\mu\text{A}$) coupled with SOT23 packages make them ideal for applications such as power adapters, automotive, general motor control and industrial systems.

Only one sense resistor and one gain setting resistor are required to complete the circuit.

The ZXCT1107/ 09 are available in a 3 pin SOT23 package, the ZXCT1110 features a separate ground pin for improved accuracy and is available in a 5 pin SOT23 package. Operating temperature range is from -40 to 125°C .



The Diodes advantage

- Wide common-mode input voltage range from 2.5 to 36V and operating temperature range is from -40 to 125°C .
Ideal for Power supply, automotive, general motor control and industrial applications
- SOT23 packaging and only two external resistors
Space saving and economic very simple solution
- $3\mu\text{A}$ quiescent current
High efficiency low power
- AEC-Q100 specifications available
Ideal for automotive applications



New Product Announcement

ZXCT11 series

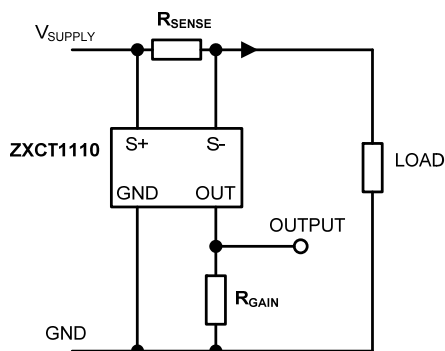
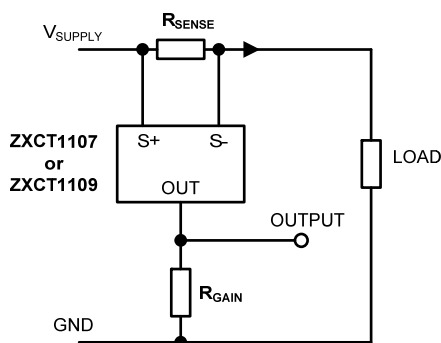
Low power high side current monitors

Part Number	Accuracy @ $V_{sense} = 100mV$ (%)	Typical bandwidth (MHz)	Gain (I out/Vsense) (mA/V)	Sense input current (nA)	Quiescent current (μA)	Common mode sense voltage (V)	Max sense voltage (mV)	Special features	Ambient Temperature Range (°C)	Packages
ZXCT1107	3.4	0.3	4	100	3	2.5 to 36	800	Simple current output current monitor	-40 to 125	SOT23
ZXCT1109	3.4	0.3	4	100	3	2.5 to 36	800	Simple current output current monitor	-40 to 125	SOT23
ZXCT1110	1.8	0.3	4	100	3	2.5 to 36	800	Separate ground pin improves accuracy	-40 to 125	SOT23-5

To find out more information:
Current output current monitor overview page
Datasheet

<http://www.diodes.com/products/catalog/list.php?parent-id=79>
http://www.diodes.com/datasheets/ZXCT1107_09_10_R2.pdf

Typical applications circuits



Ordering information

Device	Package	Reel size	Quantity per reel	Tape width
ZXCT1107SA-7	SOT23	7"	3000	8mm
ZXCT1109SA-7	SOT23	7"	3000	8mm
ZXCT1110W5-7	SOT23-5	7"	3000	8mm

All variants are in packages are "Green" Molding Compound (No Br, Sb) with Lead Free Finish/RoHS Compliant (Note 1)
Notes:1. EU Directive 2002/95/EC (RoHS). All applicable RoHS exemptions applied, see EU Directive 2002/95/EC Annex Notes