

SG

Trigger Switches

Dustproof

FUJISOKU
SWITCHES

RoHS Compliant



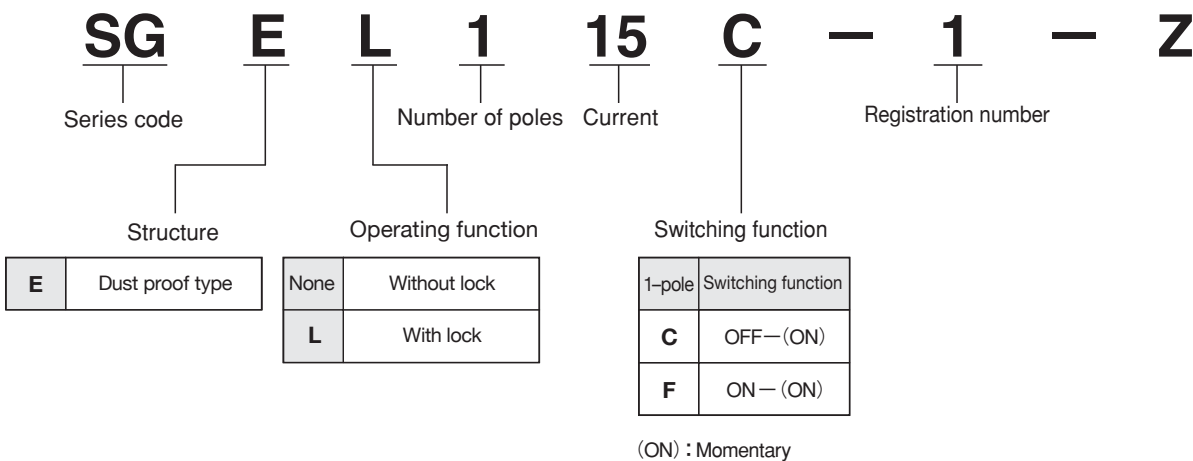
■ Features

The **SG** series trigger switches are designed for power tools, and they are called trigger switches because the actuator profile looks like a trigger. They are popularly employed for home and industrial use, including electrical drills, electrical hammers, and power planers since they can withstand use under severe dust and vibrations environments and are miniaturized for portability. Further, to improve the workability, we succeeded in developing the trigger switches featuring variable speed control which can linearly control the rotation speed of the motor.

■ Applications

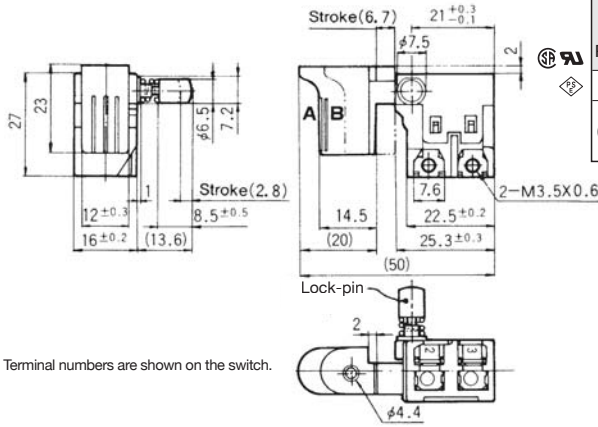
- Chainsaw
- Power planer
- Electric drill
- Round saw
- Screw tightening device
- Electric hammer
- Electric chisel
- Disk grinder
- Electric shearing machine
- Disk sander
- Electric jig saw
- Step-less controller
- Nail driving machine
- Dimmer control device
- Riveter
- Electric clipper

■ Part Numbering



※ It is all an inquiry product. Please consult us for ordering.

SGEL115CDY-1-Z SPST



Terminal numbers are shown on the switch.

Switching function		
	Trigger position [A]	Trigger position [B]
Part No.	OFF	(ON)
Connecting terminals	—	2-3

Dustproof

Specifications

Rating		Voltage	Inrush current	Power factor	Breaking current	Power factor	Initial contact resistance	Dielectric strength	Insulation resistance	Electrical life
Resistive load	AC125V 15A	AC100V	80A	0.7	12A	0.9	20mΩ Max. (DC2~4V 1A)	AC1500V 1 minute	100MΩ Min. (DC500V)	50,000 operations
	AC250V 7.5A	AC220V	40A	0.7	6A	0.9				