



50 Ohm SMA Circulator Operating From 18 GHz to 26.5 GHz And 10 Watts With 17 dB Isolation

TECHNICAL DATA SHEET

PE8406

50 Ohm SMA Circulator Operating From 18 GHz to 26.5 GHz And 10 Watts With 17 dB Isolation

**Configuration**

Connector 1	SMA Female
Connector 2	SMA Female
Connector 3	SMA Female
Frequency Range, GHz	18 to 26.5
Design	Circulator

**Electrical Specifications**

Frequency Range, GHz	18 to 26.5
Impedance, Ohms	50
Maximum Insertion Loss, dB	0.6
Forward Power, Watts	10
Maximum Input VSWR	1.4:1
Minimum Isolation, dB	17

**Mechanical Specifications**

**Temperature**

Operating Range, deg C	-54 to +85
------------------------	------------

**Size**

Length, in [mm]	1.26 [32]
Width, in [mm]	0.5 [12.7]
Height, in [mm]	1.07 [27.18]

Click the following link (or enter part number in "SEARCH" on website) to obtain additional part information including price, inventory and certifications: [50 Ohm SMA Circulator Operating From 18 GHz to 26.5 GHz And 10 Watts With 17 dB Isolation PE8406](#)

The information contained in this document is accurate to the best of our knowledge and representative of the part described herein. It may be necessary to make modifications to the part and/or the documentation of the part, in order to implement improvements. Pasternack reserves the right to make such changes as required. Unless otherwise stated, all specifications are nominal.





50 Ohm SMA Circulator Operating From 18 GHz to 26.5 GHz And 10 Watts With 17 dB Isolation

TECHNICAL DATA SHEET

PE8406

**Connector 1**

**Connector 2**

**Connector 3**

**Compliance Certifications** (visit [www.Pasternack.com](http://www.Pasternack.com) for current document)

**Plotted and Other Data**

Notes:

Values at 25 °C, sea level

50 Ohm SMA Circulator Operating From 18 GHz to 26.5 GHz And 10 Watts With 17 dB Isolation from Pasternack Enterprises has same day shipment for domestic and International orders. Our RF, microwave and fiber optic products maintain a 99% availability and are part of the broadest selection in the industry.

Click the following link (or enter part number in "SEARCH" on website) to obtain additional part information including price, inventory and certifications: [50 Ohm SMA Circulator Operating From 18 GHz to 26.5 GHz And 10 Watts With 17 dB Isolation PE8406](http://www.pasternack.com/50-ohm-sma-circulator-18000-mhz-26500-mhz-10-watts-17-db-pe8406-p.aspx)

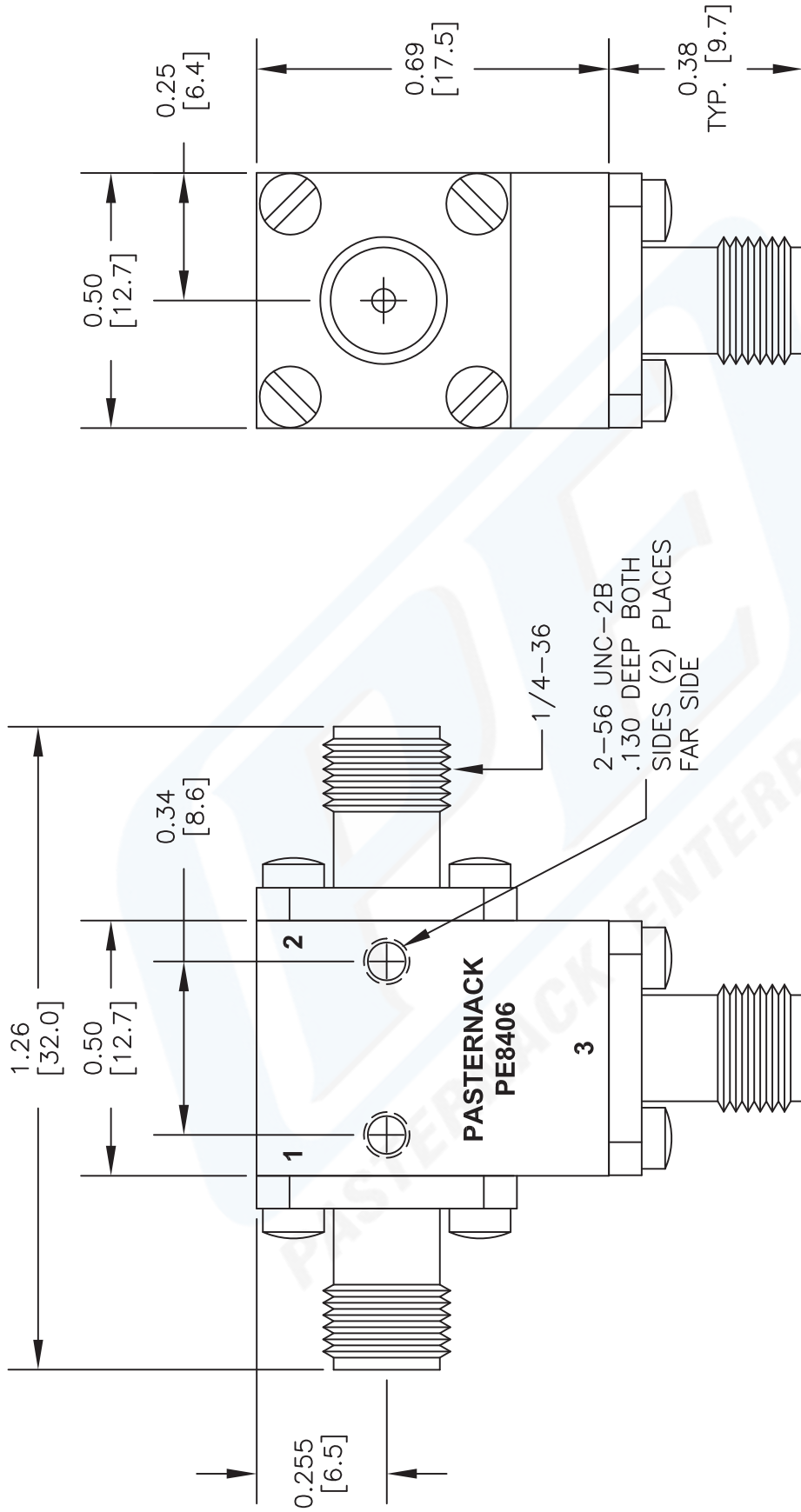
URL: <http://www.pasternack.com/50-ohm-sma-circulator-18000-mhz-26500-mhz-10-watts-17-db-pe8406-p.aspx>

The information contained in this document is accurate to the best of our knowledge and representative of the part described herein. It may be necessary to make modifications to the part and/or the documentation of the part, in order to implement improvements. Pasternack reserves the right to make such changes as required. Unless otherwise stated, all specifications are nominal.



# PE8406 CAD Drawing

50 Ohm SMA Circulator Operating From 18 GHz to 26.5 GHz And 10 Watts With 17 dB Isolation



DWG TITLE

**PE8406**

NOTES:  
 1. UNLESS OTHERWISE SPECIFIED ALL DIMENSIONS ARE NOMINAL.  
 2. ALL SPECIFICATIONS ARE SUBJECT TO CHANGE WITHOUT NOTICE AT ANY TIME.  
 3. DIMENSIONS ARE IN INCHES [mm].

FSCM NO. 53919

XXXX

SIZE A

SCALE N/A

CAD FILE 021513-A



Pasternack Enterprises, Inc.  
 P.O. Box 16759 | Irvine | CA | 92623  
 Phone: (949) 261-1920 | Fax: (949) 261-7451  
 Website: www.pasternack.com | E-Mail: sales@pasternack.com