

ELECTRICAL CHARACTERISTICS

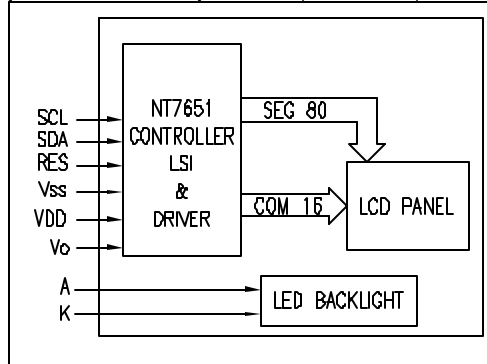
V_{DD}=2.2V to 3.5V, T_A=25°C

ITEM	SYMBOL	CONDITION	STANDARD VALUE			UNIT	
			MIN.	TYP.	MAX.		
SUPPLY VOLTAGE FOR LOGIC	V _{DD} -V _{SS}	-	2.2	3.0	3.5	V	
SUPPLY CURRENT FOR LOGIC	I _{DD}	V _{DD} =3.0V	-	0.17	1.0	mA	
INPUT VOLTAGE	HIGH	V _{IH}	-	2.2	-	V _{DD}	
	LOW	V _{IL}	-	-	-	0.6	
OUTPUT VOLTAGE	HIGH	V _{OH}	-	2.4	-	V	
	LOW	V _{OL}	-	-	-	0.4	
*LED BACKLIGHT	VOLTAGE	V _F	I _F =40mA	-	3.4	3.6	V
	CURRENT	I _F	-	-	40	60	mA
	POWER CONSUMPTION	P _D	I _F =40mA	-	136	-	mW
	BRIGHTNESS	-	-	-	350	-	cd/m ²
	COLOR	-	WHITE	-	-	-	nm

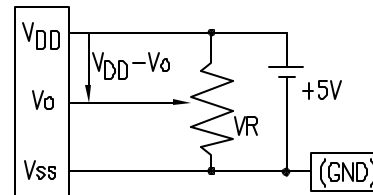
PIN CONFIGURATION

PIN NO.	PIN OUT	LEVEL	DESCRIPTION
1	VSS	0V	POWER SUPPLY GROUND/ CATHODE LED BACKLIGHT.
2	VDD	3.0V	POWER SUPPLY VOLTAGE.
3	V ₀	---	CONTRAST ADJ.
4	SDA	H/L	IIC BUS SERIAL DATA INPUT/OUTPUT
5	SCL	H/L	IIC BUS SERIAL CLOCK INPUT
6	A	3.4V	ANODE LED BACKLIGHT
7	RES	H	RESET INPUT

BLOCK DIAGRAM 16 x 2, 1/16 DUTY, 1/5 BIAS



V_{DD}-V₀: LCD DRIVING VOLTAGE
VR: 10KΩ-20KΩ



ABSOLUTE MAXIMUM RATINGS

ITEM	SYMBOL	MIN	MAX	UNIT
POWER SUPPLY VOLTAGE	V _{DD} -V _{SS}	-0.5	6.5	V
POWER SUPPLY FOR LCD	V _{DD} -V ₀	-0.5	7.5	V
LED POWER DISSIPATION	P _{AD}	-	0.46	W
LED FORWARD CURRENT	I _{AF}	-	60	mA
LED REVERSE VOLTAGE	VR	-	5	V
OPERATING TEMPERATURE		-20	-70	°C
STORAGE TEMPERATURE		-30	+80	°C

*UNLESS OTHERWISE SPECIFIED TOLERANCES PER DECIMAL PRECISION ARE: X=±1 (±0.039), X.X=±0.5 (±0.020), X.XX=±0.25 (±0.010), X.XXX=±0.127 (±0.005). LEAD SIZE=±0.05 (±0.002), LEAD LENGTH=±0.75 (±0.030). MIN.= +DECIMAL PRECISION -0.00 MAX.= +0.00 -DECIMAL PRECISION

REV.	PART NUMBER	CONFIDENTIAL INFORMATION	LUMEX INC.	290 E. HELEN ROAD PALATINE, IL 60067-6976 PHONE: +1.847.359.2790 US WEB: www.lumex.com TW WEB: www.lumex.com.tw
	LCD-E01602DSF/A-W	THE INFORMATION CONTAINED IN THIS DOCUMENT IS THE PROPERTY OF LUMEX INC. EXCEPT AS SPECIFICALLY AUTHORIZED IN WRITING BY LUMEX INC., THE HOLDER OF THIS DOCUMENT SHALL KEEP ALL INFORMATION CONTAINED HEREIN CONFIDENTIAL AND SHALL PROTECT SAME IN WHOLE OR IN PART FROM DISCLOSURE AND DISSEMINATION TO ALL THIRD PARTIES.		
	16 X 2 CHARACTER LCD MOD, STN TRANSFLECTIVE 1°C INTERFACE, NT7651, WHITE LED BKL.T.	RELIABILITY NOTE OUR MANY YEARS OF EXPERIENCE DATA ACCUMULATION INDICATE THAT SOLDER HEAT IS A MAJOR CAUSE OF EARLY AND FUTURE FAILURE. PLEASE PAY ATTENTION TO YOUR SOLDERING PROCESS.	DRAWN BY: JG	CHECKED BY: APPROVED BY: DATE: 3.29.07 PAGE: 1 OF 1 SCALE: N/A