
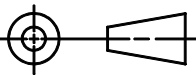


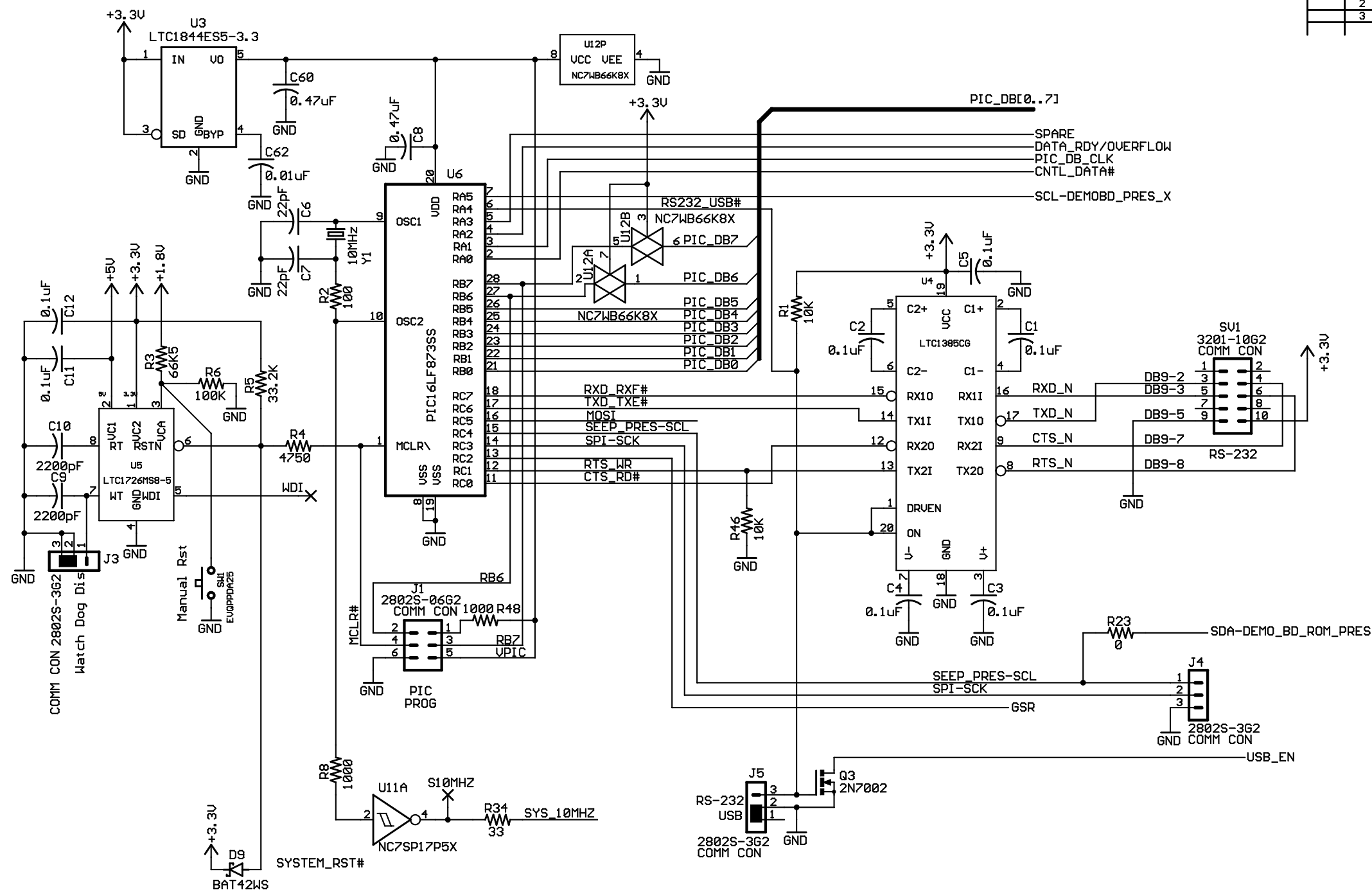
Linear Technology has made a best effort to design a circuit that meets customer-supplied specifications; however, it remains the customer's responsibility to verify proper and reliable operation in the actual application. Component substitution and printed circuit board layout may significantly affect circuit performance or reliability. Contact Linear Technology Applications Engineering for assistance.

LTC CONFIDENTIAL - For Customer Use Only with Linear Technology parts.

UNLESS OTHERWISE SPECIFIED DIMENSIONS ARE IN INCHES TOLERANCE ON ANGLE --- 2 PLACES --- 3 PLACES --- INTERPRET DIM AND TOL PER ASME Y14.4M-1994		CONTRACT NO.		 1630 McCarthy Blvd. Milpitas, CA 95035 Phone: (408) 432-1900 Fax: (408) 434-0507	
THIRD ANGLE PROJECTION		APPROVALS	DATE		
 DO NOT SCALE DRAWING		DRAWN E TRELEMICZ		SCHEMATIC, QuickDATS DEMO SYSTEM	REV:
		CHECKED		SIZE	3
		APPROVED		CAGE CODE	
		ENGINEER E TRELEMICZ		DWGNO	
		DESIGNER E TRELEMICZ		DC718B	
				SCALE: NONE	FILENAME: DC718A3.SCH
					SHEET 2 OF 3

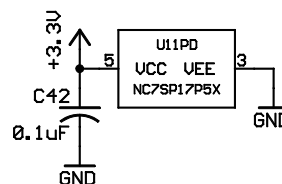
REVISION HISTORY

ECO	REV	DESCRIPTION	DATE	APPROVED
	1	ENG DEV, NOT RELEASED		
	2	PROTO	10/27/03	
	3	FIX D10 ADD R46, I2C SEEP		

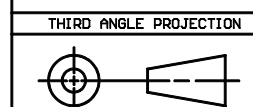


Linear Technology has made a best effort to design a circuit that meets customer-supplied specifications; however, it remains the customer's responsibility to verify proper and reliable operation in the actual application. Component substitution and printed circuit board layout may significantly affect circuit performance or reliability. Contact Linear Technology Applications Engineering for assistance.

LTC CONFIDENTIAL - For Customer Use Only with Linear Technology parts.



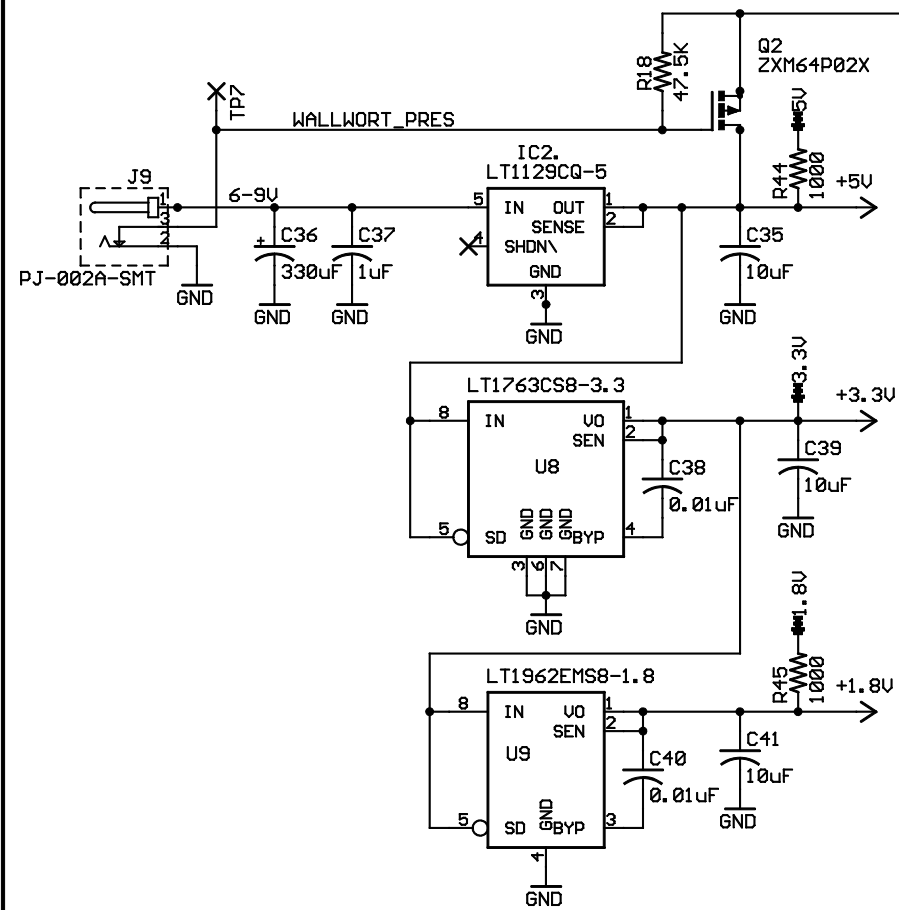
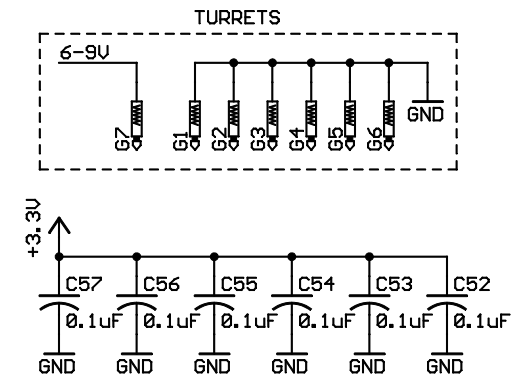
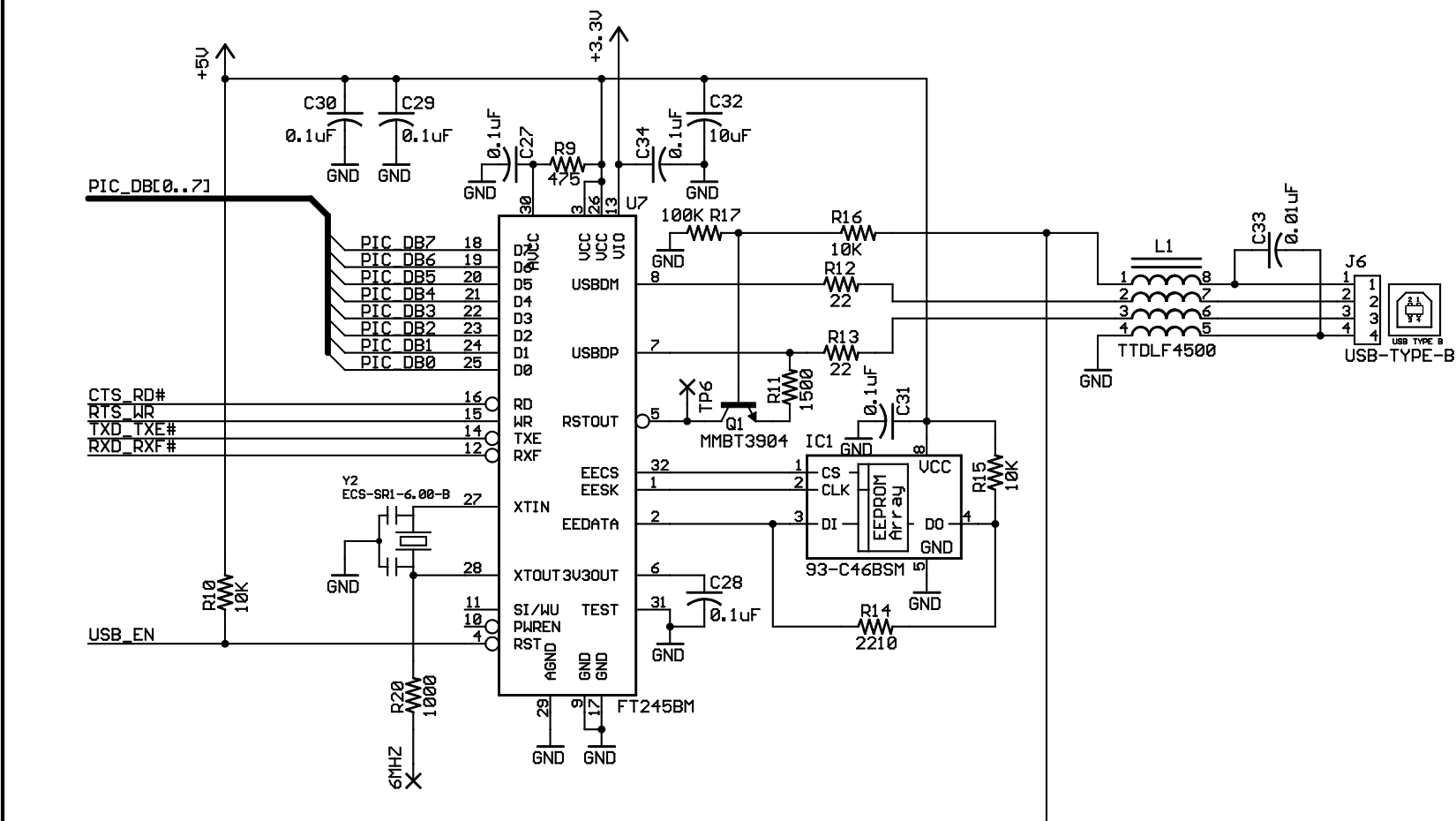
UNLESS OTHERWISE SPECIFIED
DIMENSIONS ARE IN INCHES
TOLERANCE ON ANGLE ---
2 PLACES --- 3 PLACES ---
INTERPRET DIM AND TOL
PER ASME Y14.4M-1994



DO NOT SCALE DRAWING


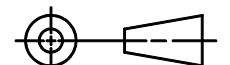
CONTRACT NO.	
APPROVALS	DATE
DRAWN E TRELEWICZ	
CHECKED	
APPROVED	
ENGINEER E TRELEWICZ	
DESIGNER E TRELEWICZ	

		1630 McCarthy Blvd. Milpitas, CA 95035 Phones (408) 432-1900 Fax (408) 434-0507	
		TITLE: SCHEMATIC, QuickDATS DEMO SYSTEM	
SIZE B	CAGE CODE	DWGNO DC718B	REV: 3
SCALE: NONE		FILENAME: DC718A3.SCH	SHEET 1 OF 3



Linear Technology has made a best effort to design a circuit that meets customer-supplied specifications; however, it remains the customer's responsibility to verify proper and reliable operation in the actual application. Component substitution and printed circuit board layout may significantly affect circuit performance or reliability. Contact Linear Technology Applications Engineering for assistance.

LTC CONFIDENTIAL - For Customer Use Only with Linear Technology parts.

UNLESS OTHERWISE SPECIFIED DIMENSIONS ARE IN INCHES TOLERANCE ON ANGLE --- 2 PLACES --- 3 PLACES --- INTERPRET DIM AND TOL PER ASME Y14.4M-1994	CONTRACT NO.		 1638 McCarthy Blvd. Milpitas, CA 95035 Phones (408) 432-1900 Fax (408) 434-0507	
	APPROVALS	DATE		
THIRD ANGLE PROJECTION	CHECKED		SCHEMATIC, QuickDATS DEMO SYSTEM	
	APPROVED		SIZE	CAGE CODE
	ENGINEER E TRELEWICZ		B	
	DESIGNER E TRELEWICZ		DWGNO	REV:
			DC718B	3
DO NOT SCALE DRAWING	11/24/2004 02:11:19p	SCALE: NONE	FILENAME: DC718A3.SCH	SHEET 3 OF 3