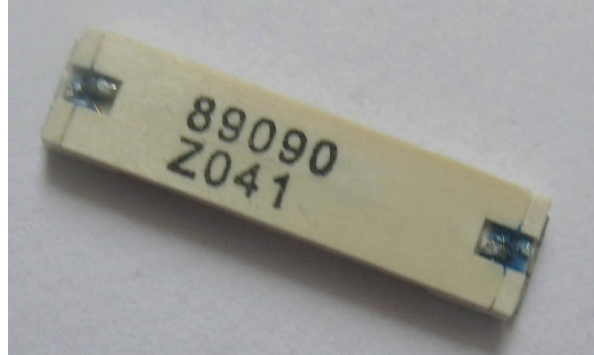
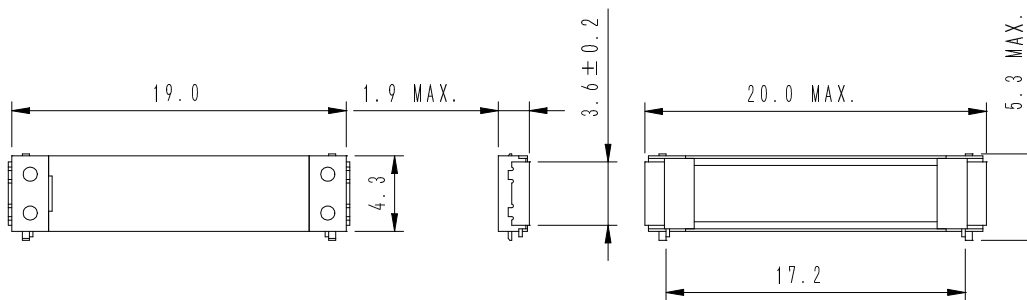
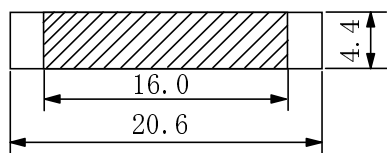
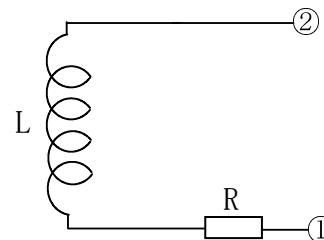


Type: CAS19D17C
◆ Product Description

- * 20.0mm Max.×5.3mm Max(L×W), 1.9mm Max. Height.
- * Operating Temperature: -40°C ~ +85°C.

◆ Feature

- * Thin LF receiver Antenna.
- * Low profile.
- * High Sensitivity and Reliability.
- * RoHS Compliance.


◆ Mechanical dimensions (unit: mm)

◆ Suggested PCB layout(unit: mm)

◆ Schematic diagram


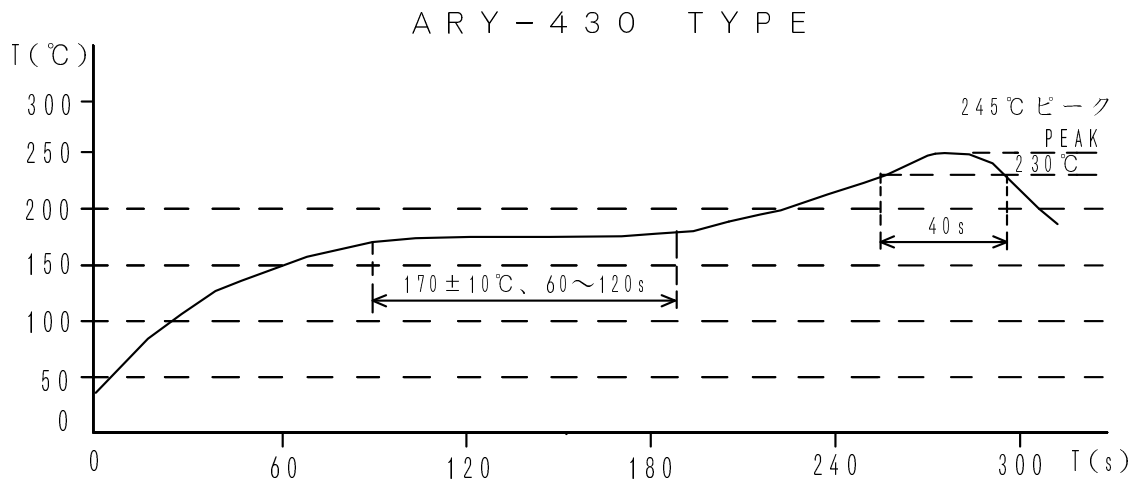
L: Ferrite core coil inductance.

R: Copper resistance.

Type: CAS19D17C
◆ Electrical Characteristics

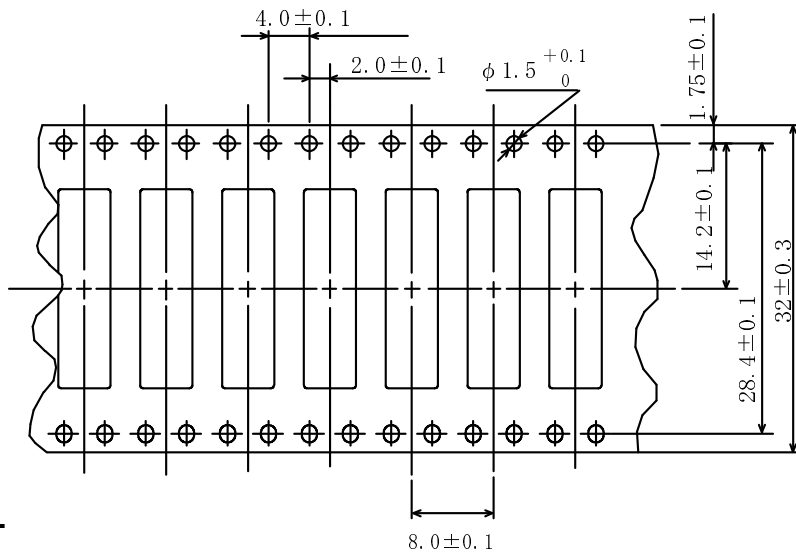
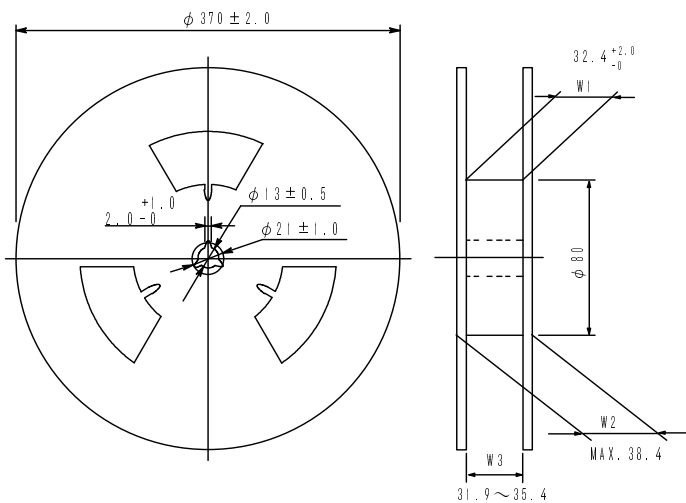
Part No.	Inductance	Qu	D.C.R. (Ref.)	SRF	Measuring conditions
CAS19D17C-702	7.0mH±4%	Min.40	82.5Ω	Min. 400kHz	132.45kHz,1V
CAS19D17C-232	2.3mH±4%	Min.30	26.5Ω	Min. 400kHz	125kHz,1V

* It is possible for different inductance value.

◆ Recommended Reflow profile


* Lead Free Reflow Profile.

* The reflow condition recommended above is according to the machine used by our company.
Big differences will arise as a result of the type of machine, reflow conditions, method, etc used.

Type: CAS19D17C
◆ Packaging specification
Taping specification (According to EIA481)

REEL

Packaging: 2000pcs/reel

Item	Materials
Carrier tape	Polystyrene or Polypropylene
Cover tape	Polyester
Reel	Cardboard

Taping
