

**PLEASE CHECK WWW.MOLEX.COM FOR LATEST PART INFORMATION**

**Part Number:** [39880-0540](#)  
**Status:** **Active**  
**Overview:** Eurostyle™ Terminal Blocks  
**Description:** 5.08mm Pitch Beau™ Eurostyle™ Low Profile, Two Level Terminal Block, Modular, 40 Circuits

**Documents:**

[3D Model](#) [RoHS Certificate of Compliance \(PDF\)](#)  
[Drawing \(PDF\)](#)

**General**

Product Family	Terminal Blocks
Series	<a href="#">39880</a>
Application	N/A
Component Type	One Piece
Overview	<a href="#">Eurostyle™ Terminal Blocks</a>
Product Name	Eurostyle™Multi-Level
Type	Euro Block
UPC	756054891742

**Physical**

Circuits (Loaded)	40
Entry Angle	Horizontal
Lock to Mating Part	None
Number of Rows	2
Orientation	Vertical
PC Tail Length	3.50mm
PCB Retention	N/A
PCB Thickness - Recommended	2.40mm
Panel Mount	No
Pitch - Mating Interface	5.08mm
Pitch - Termination Interface	5.08mm
Polarized to Mating Part	N/A
Shrouded	Fully
Stackable	Yes
Temperature Range - Operating	110°C
Wire Size AWG	16, 18, 20, 22, 24, 26, 28, 30
Wire Size mm²	0.20 - 1.50

**Electrical**

Current - Maximum per Contact	13.5A
Voltage - Maximum	300V

**Solder Process Data**

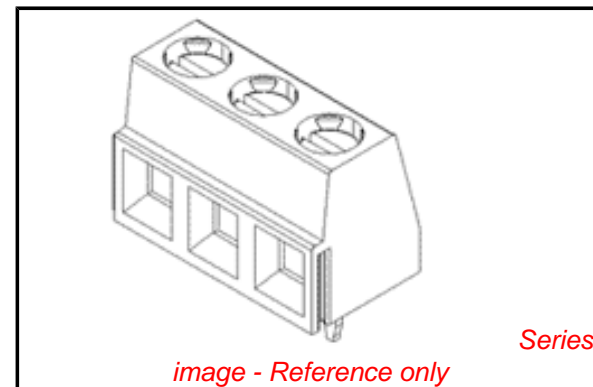
Lead-free Process Capability	Wave Capable (TH only)
------------------------------	------------------------

**Material Info**

Old Part Number	882140
-----------------	--------

**Reference - Drawing Numbers**

Sales Drawing	SD-39880-005
---------------	--------------



*image - Reference only*

**EU RoHS**

**RoHS Compliant by Exemption**

**REACH SVHC**

Not Reviewed

**Low-Halogen Status**

**Not Reviewed**

**China RoHS**



Pb

**Need more information on product environmental compliance?**

Email [productcompliance@molex.com](mailto:productcompliance@molex.com)  
 For a multiple part number RoHS Certificate of Compliance, [click here](#)

Please visit the [Contact Us](#) section for any non-product compliance questions.

**Search Parts in this Series**

[39880Series](#)