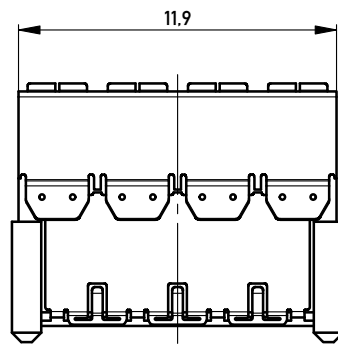
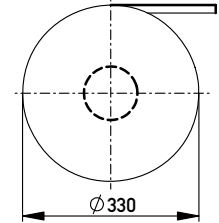
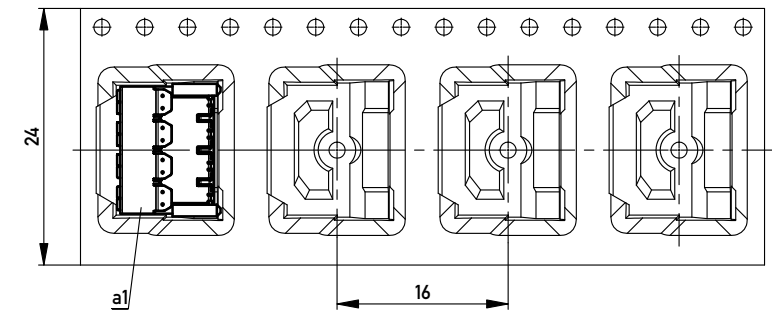


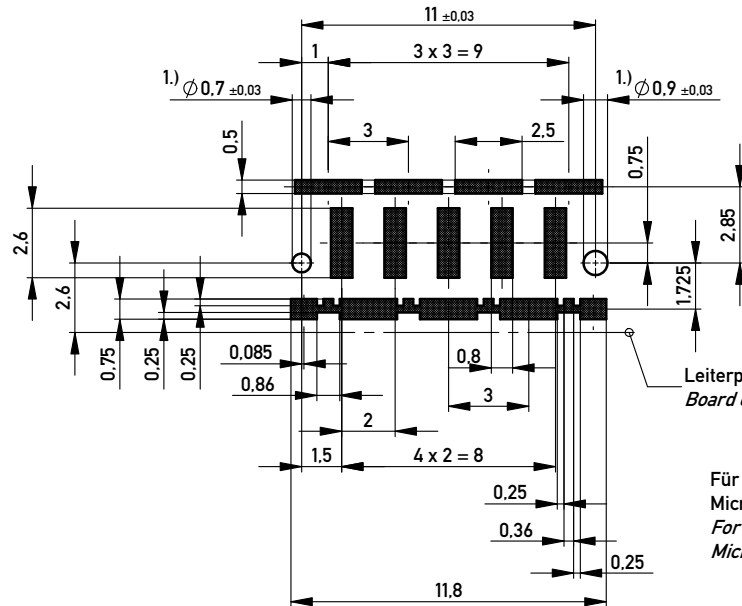
Verpackt in Gurtverpackung
Tape on Reel Packaging
Verpackungseinheit: 500 Stück
Packaging unit: 500 pcs



Abspulrichtung - Reel off Direction



Leiterplatten-Layout Vorschlag / PCB-Layout Proposal



1.) Durchmesser des Bohrers /
Drill tool

Leiterplattenkante
Board edge

Für weitere Layout Details bitte
MicroSpeed Applikations Schrift beachten.
For further layout details please consider
MicroSpeed application note.

Anforderungsstufe 1
Performance Level 1

Kontaktbereich vergoldet
Mating Area gold plating

Anschlussbereich verzinkt 4-6 µm
Terminal Area 4-6 µm tin plating

Koplanarität der Anschlüsse ≤ 0.1 mm
Coplanarity Area of Termination ≤ 0.1 mm

BlindMate SMD

Information:	Tolerances	 All Dimensions in mm	Scale	5:1
	All rights reserved. Only for Information. To ensure that this is the latest version of this drawing, please contact one of the ERNI companies before using.		Designation MSpeed Federl. 90° PM MSpeed female 90° PM	
Subject to modification without prior notice. Drawing will not be updated.		 www.ERNI.com	364707	
c	25.03.2013		Class MSPPM	
Index	Date	I A3		

Copyright by ERNI GmbH. Proprietary notice pursuant to ISO 9006 to be observed.