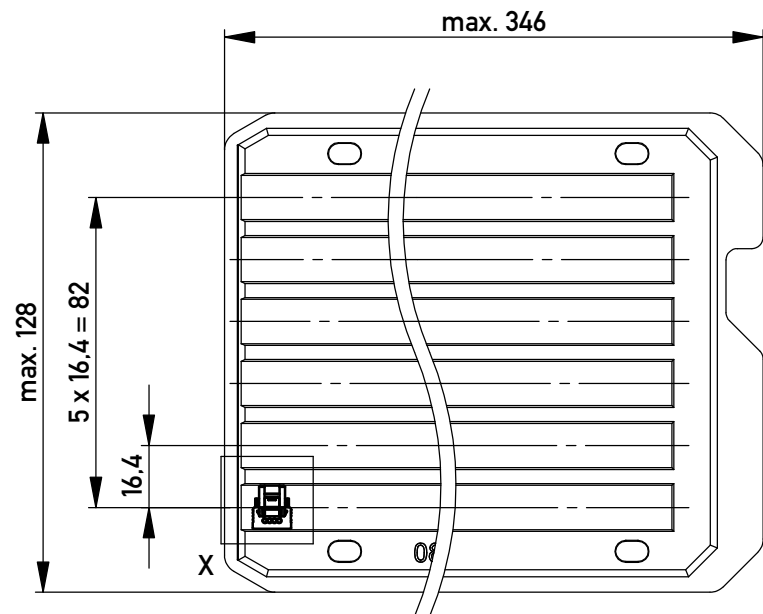
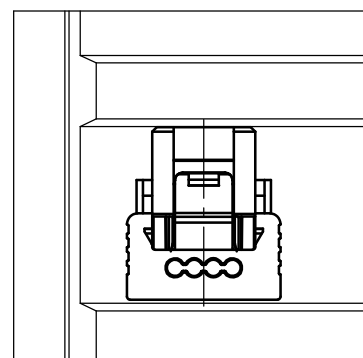


Verpackt in Tray - tray packaging
 Verpackungseinheit 180 Stück - packaging unit 180 pcs



Einzelheit X - detail X
 M 2:1



Federkontakt AWG 24-26 - Female Contact AWG 24-26
Kabelführung Ø1,07 - cable guide Ø1,07

nur mit Hilfsmittel lösbar
 only with tool unlockable

Information:		Tolerances	All Dimensions in mm	Scale 5:1
All rights reserved. Only for Information. To ensure that this is the latest version of this drawing, please contact one of the ERNI companies before using.		Subject to modification without prior notice. Drawing will not be updated.		Designation 1,27 SRC P SKV, 4-polig 1,27 SRC P IDC, 4-pin
c		24.06.2015	www.ERNI.com	100400530001
Index	Date		Class	SRCP
				K A3

Copyright by ERNI Production GmbH & Co. KG
 Proprietary notice pursuant to ISO 16016 to be observed.