

8x930Hx UNIVERSAL SERIAL BUS HUB PERIPHERAL CONTROLLER

- **USB Hub with One Upstream, One Internal Downstream, and Three External Downstream Ports on HD/HE Parts or Four on HF/HG Parts**
 - Complete Universal Serial Bus Specification 1.0 Compatibility
 - Serves as both USB Hub and USB Embedded Function (Internal Port)
- **USB Hub**
 - Connectivity Management
 - Downstream Device Connect/Disconnect Detection
 - Power Management, Including Suspend and Resume
 - Bus Fault Detection and Recovery
 - Full and Low Speed Downstream Device Support
- **Output Pin for Port Power Switching**
- **Input Pin for Overcurrent Detection**
- **USB Embedded Function**
 - Supports Isochronous and Non-isochronous Data
- **On-chip USB Transceivers**
- **Serial Bus Interface Engine (SIE)**
 - Packet Decoding/Generation
 - CRC Generation and Checking
 - NRZI Encoding/Decoding and Bit-stuffing
- **Hub FIFO Data Buffers**
 - One Pair of 16-byte Transmit and Receive FIFOs
 - One 1-byte Transmit Register
- **Embedded Function FIFO Data Buffers**
 - Three Pairs of 16-byte Transmit and Receive FIFOs
 - One Pair of Configurable Transmit and Receive FIFOs (1 Kbyte total)
- **Automatic Transmit/Receive FIFO Management**
- **Three USB Interrupt Vectors**
 - Endpoint Transmit/Receive Done
 - Start of Frame/Hub Endpoint Done
 - Global Suspend/Resume
- **Low Clock Mode**
- **User-selectable Configurations**
 - External Wait State
 - External Address Range
 - Page Mode
- **Real-time Wait Function**
- **256-Kbyte External Code/Data Memory Space**
- **On-chip ROM Options**
 - 0, 8, or 16 Kbytes
- **1024 bytes On-chip Data RAM**
- **Four Input/Output Ports**
- **Standard MCS[®] 51 UART**
- **Power-saving Idle and Powerdown Modes**
- **Register-based MCS[®] 251 Architecture**
- **Code-compatible with MCS 51 and MCS 251 Microcontrollers**
- **12-MHz Crystal Operation**

The 8x930Hx USB hub peripheral controller is based on the MCS 251 microcontroller. It consists of standard 8XC251Sx peripherals plus a USB module. The USB module provides both USB hub and USB embedded function capabilities. The 8x930Hx supports USB hub functionality, embedded function, suspend/resume modes, isochronous/non-isochronous transfers, and it is fully USB rev 1.0 specification compliant. The USB module contains one internal and three (or four) external downstream ports and integrates the USB transceivers, serial bus interface engine (SIE), hub interface unit (HIU), function interface unit (FIU), and transmit/receive FIFOs. The 8x930Hx uses the standard instruction set of the MCS 251 architecture, which is binary code compatible with the MCS 51 architecture.

Information in this document is provided in connection with Intel products. No license, express or implied, by estoppel or otherwise, to any intellectual property rights is granted by this document. Except as provided in Intel's Terms and Conditions of Sale for such products, Intel assumes no liability whatsoever, and Intel disclaims any express or implied warranty, relating to sale and/or use of Intel products including liability or warranties relating to fitness for a particular purpose, merchantability, or infringement of any patent, copyright or other intellectual property right. Intel products are not intended for use in medical, life saving, or life sustaining applications.

Intel retains the right to make changes to specifications and product descriptions at any time, without notice.

*Third-party brands and names are the property of their respective owners.

Contact your local Intel sales office or your distributor to obtain the latest specifications and before placing your product order.

Copies of documents which have an ordering number and are referenced in this document, or other Intel literature, may be obtained from:

Intel Corporation
Literature Sales
P.O. Box 7641
Mt. Prospect, IL 60056-7641
or call 1-800-548-4725

CONTENTS

1.0	About This Document.....	1
1.1	Additional Information Sources	1
1.2	Electronic Information.....	1
1.3	Product Summary.....	2
2.0	Nomenclature Overview.....	4
3.0	Pinout.....	6
4.0	Signals	12
5.0	Address Map.....	16
6.0	Electrical Characteristics.....	17
6.1	Operating Frequencies.....	17
6.2	DC Characteristics.....	18
6.3	Explanation of Timing Symbols.....	20
6.4	System Bus AC Characteristics.....	21
6.4.1	System Bus Timing Diagrams	23
6.4.2	Real-time Wait State Function AC Characteristics	27
6.4.3	Real-time Wait State Function Timing Diagrams	28
6.5	AC Characteristics — Synchronous Mode 0.....	30
6.6	External Clock Drive.....	30
6.7	Testing Waveforms	31
7.0	Thermal Characteristics	32
8.0	Design Considerations.....	32
8.1	External Bus Timing and Peripheral Timing Affected by PLLSEL2:0 Selection.....	32
8.2	Low Clock Mode Frequency.....	32
8.3	Setting RXFFRC Bit Clears Only the Oldest Packet in the FIFO	32
8.4	Series Resistor Requirement for Impedance Matching.....	32
8.5	Pullup Resistor Requirement for 8x930Hx Hub devices.....	32
8.6	Powerdown Mode Cannot Be Invoked Before USB Suspend.....	32
8.7	Unused Downstream Ports.....	33
9.0	8x930Hx Errata	33
10.0	Datasheet Revision History.....	33

Figures

1.	8x930Hx Block Diagram.....	2
2.	8x930Hx USB Module Block Diagram.....	3
3.	Product Nomenclature	4
4.	8x930HD/HE and 8x930HF/HG 68-pin PLCC Package.....	6
5.	8x930HD/HE and 8x930HF/HG 64-pin SDIP Package.....	7
6.	8x930Hx Code Fetch, Nonpage Mode.....	23
7.	8x930Hx Data Read, Nonpage Mode	24
8.	8x930Hx Data Write, Nonpage Mode.....	24
9.	8x930Hx Code Fetch, Page Mode	25
10.	8x930Hx Data Read, Page Mode	26
11.	8x930Hx Data Write, Page Mode.....	26
12.	External Code Fetch/Data Read (Nonpage Mode, Real-time Wait State)	28
13.	External Data Write (Nonpage Mode, Real-time Wait State)	28
14.	External Data Read (Page Mode, Real-time Wait State)	29
15.	External Data Write (Page Mode, Real-time Wait State)	29
16.	Serial Port Waveform — Synchronous Mode 0.....	30
17.	External Clock Drive Waveforms.....	30
18.	AC Testing Input, Output Waveforms.....	31
19.	Float Waveforms	31

Tables

1.	Related Documentation.....	1
2.	Electronic Information	1
3.	Description of Product Nomenclature.....	4
5.	Downstream Port Allocation	5
4.	Proliferation Options.....	5
6.	68-pin PLCC Pin Assignment.....	8
7.	64-pin SDIP Pin Assignment.....	9
8.	68-pin PLCC Signal Assignments Arranged by Functional Category	10
9.	64-pin SDIP Signal Assignments Arranged by Functional Category.....	11
10.	Signal Description	12
11.	Memory Signal Selections (RD1:0)	15
12.	8x930Hx Address Map.....	16
13.	8x930Hx Operating Frequency	17
14.	DC Characteristics at Operating Conditions.....	18
15.	AC Timing Symbol Definitions.....	20
16.	AC Characteristics at Operating Conditions.....	21
17.	Real-time Wait State AC Timing Specifications	27
18.	Serial Port Timing — Synchronous Mode 0	30
19.	External Clock Drive.....	31
20.	Thermal Characteristics	32

1.0 ABOUT THIS DOCUMENT

This data sheet contains advance information about Intel's 8x930Hx Universal Serial Bus hub peripheral controller, based on the MCS® 251 peripheral controller, which includes a functional overview, mechanical data, targeted electrical specifications (simulated), and bus functional waveforms. A detailed functional description, other than parametric performance, is published in the *8x930Ax, 8x930Hx Universal Serial Bus Micorcontroller User's Manual* (272949).

1.2 Electronic Information

We offer a variety of technical and product information through the World Wide Web (see Table 2 for URL) and through FaxBack service which is an on-demand publishing system that sends documents to your fax machine. You can get product announcements, change notifications, product literature, device characteristics, design recommendations, and quality and reliability information 24 hours a day, 7 days a week. Just dial the telephone number and respond to the system prompts.

1.1 Additional Information Sources

Intel documentation is available from your local Intel Sales Representative or Intel Literature Sales.

Intel Corporation
Literature Sales
P.O. Box 7641
Mt. Prospect, IL 60056-7641
1-800-879-4683

Table 1. Related Documentation

Document Title	Order/Contact
<i>8x930Ax, 8x930Hx Universal Serial Bus Micorcontroller User's Manual</i>	Intel Order # 272949
<i>Universal Serial Bus Specification</i>	Intel Order # 272962

Table 2. Electronic Information

Document Title	Order/Contact
Intel's World-Wide Web (WWW) Location:	http://www.intel.com/design/usb/
Customer Support (US and Canada):	800-628-8686
FaxBack Service:	
<i>US and Canada</i>	800-628-2283
<i>Europe</i>	+44(0)793-496646
<i>worldwide</i>	916-356-3105
Application Bulletin Board Service:	
<i>up to 14.4-Kbaud line, worldwide</i>	916-356-3600
<i>dedicated 2400-baud line, worldwide</i>	916-356-7209
<i>Europe</i>	+44(0)793-496340

1.3 Product Summary

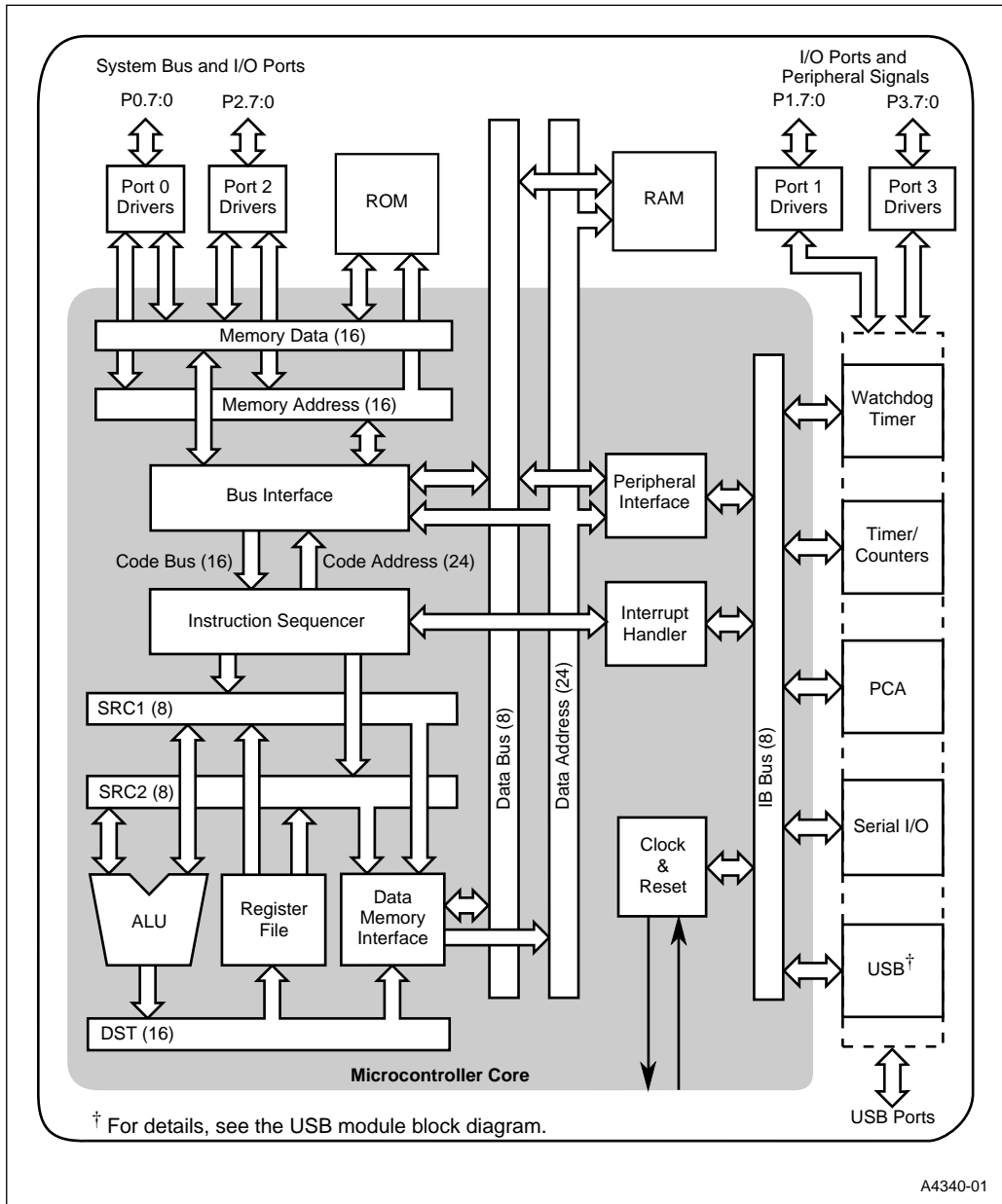


Figure 1. 8x930Hx Block Diagram

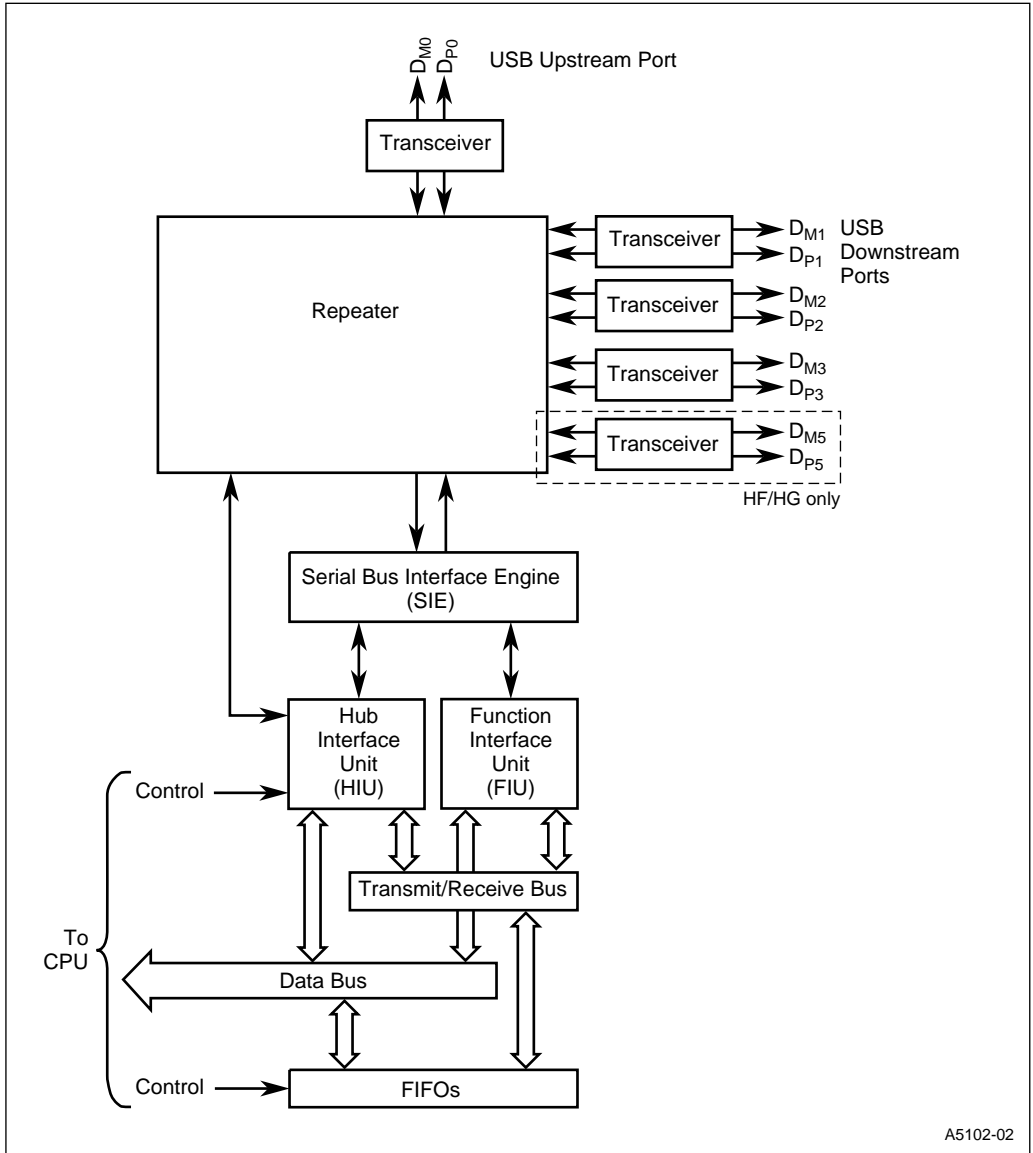


Figure 2. 8x930Hx USB Module Block Diagram

2.0 NOMENCLATURE OVERVIEW

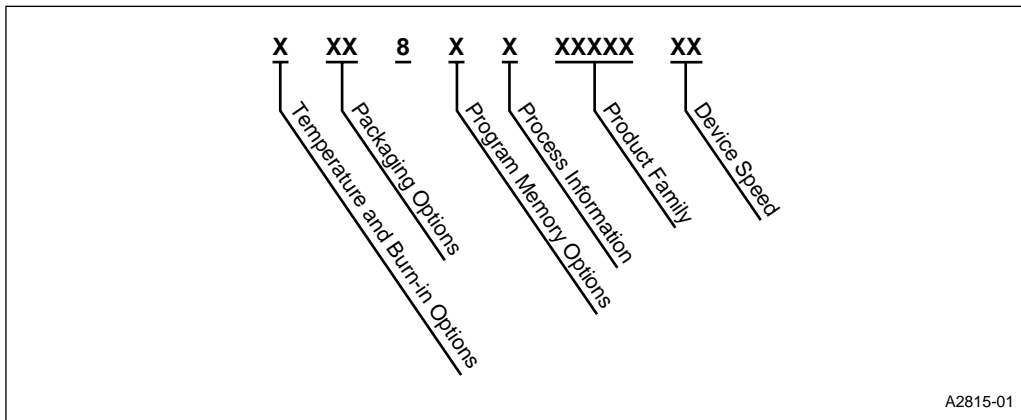


Figure 3. Product Nomenclature

Table 3. Description of Product Nomenclature

Parameter	Options	Description
Temperature and Burn-in	no mark	Commercial operating temperature range (0°C to 70°C) with Intel standard burn-in
Packaging Options	N	Plastic Leaded Chip Carrier (PLCC)
	U	Shrink Dual In-Line Package (SDIP)
Program Memory Options	0	Without ROM
	3	With ROM
Process and Voltage Information	no mark	CHMOS
Product Family	930Hx	Advanced 8-bit microcontroller architecture with on-chip Universal Serial Bus Hub and Function capability. Indicates ROM size, RAM size, and quantity of external downstream ports (see Table 4).
Device Speed	no mark	12 MHz crystal

Table 4. Proliferation Options

4 External Downstream Ports (HF/HG)	3 External Downstream Ports (HD/HE)	ROM Size	RAM Size	Package
N80930HF	N80930HD	0	1024 bytes	68-pin PLCC
N83930HF	N83930HD	8 Kbytes	1024 bytes	68-pin PLCC
N83930HG	N83930HE	16 Kbytes	1024 bytes	68-pin PLCC
U80930HF	U80930HD	0	1024 bytes	64-pin SDIP
U83930HF	U83930HD	8 Kbytes	1024 bytes	64-pin SDIP
U83930HG	U83930HE	16 Kbytes	1024 bytes	64-pin SDIP

Table 5. Downstream Port Allocation

Downstream Port Number	8x930HD/HE	8x930HF/HG
1	External	External
2	External	External
3	External	External
4	Internal (Embedded Function)	Internal (Embedded Function)
5	—	External

3.0 PINOUT

Figure 4 illustrates a diagram of the 8x930HD/HE PLCC package. Table 6 and Table 8 contain indexes of the pin arrangement. Table 10 contains the signal descriptions for all pins.

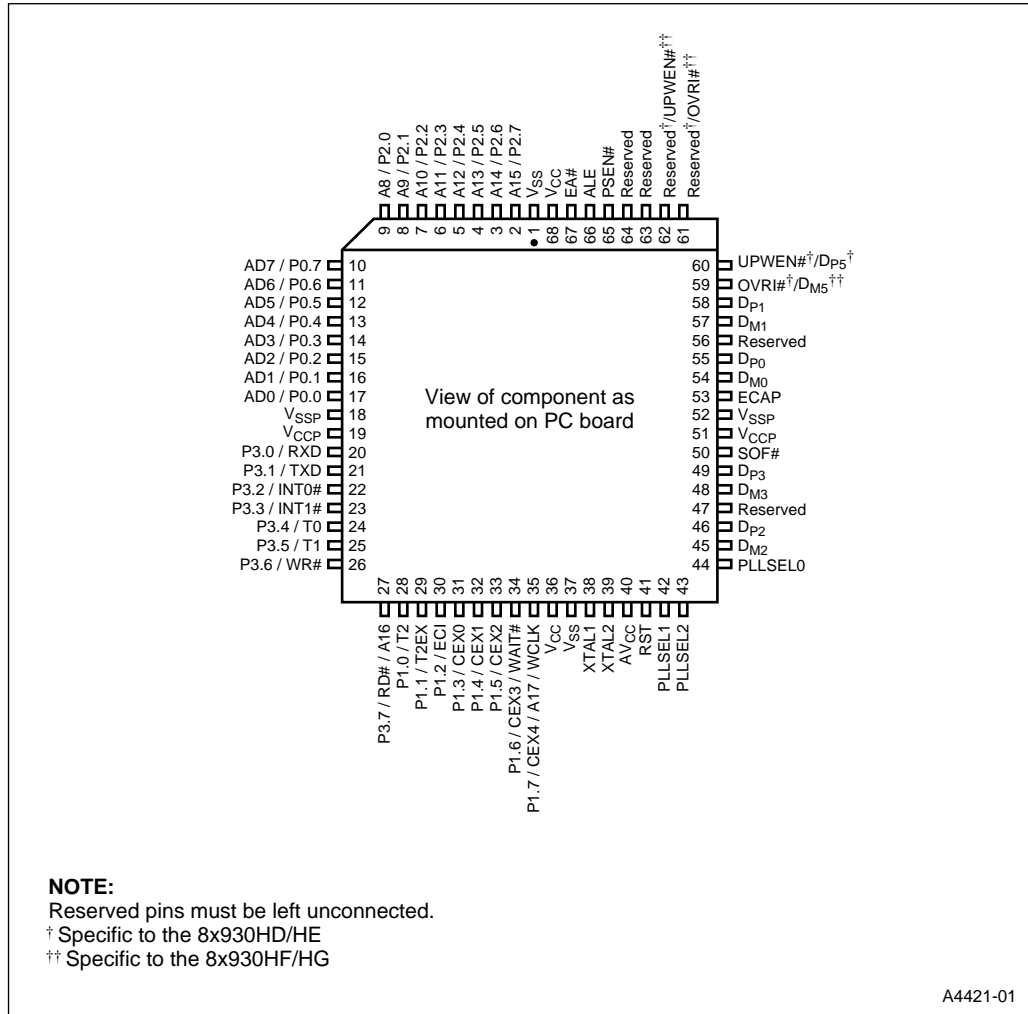


Figure 4. 8x930HD/HE and 8x930HF/HG 68-pin PLCC Package

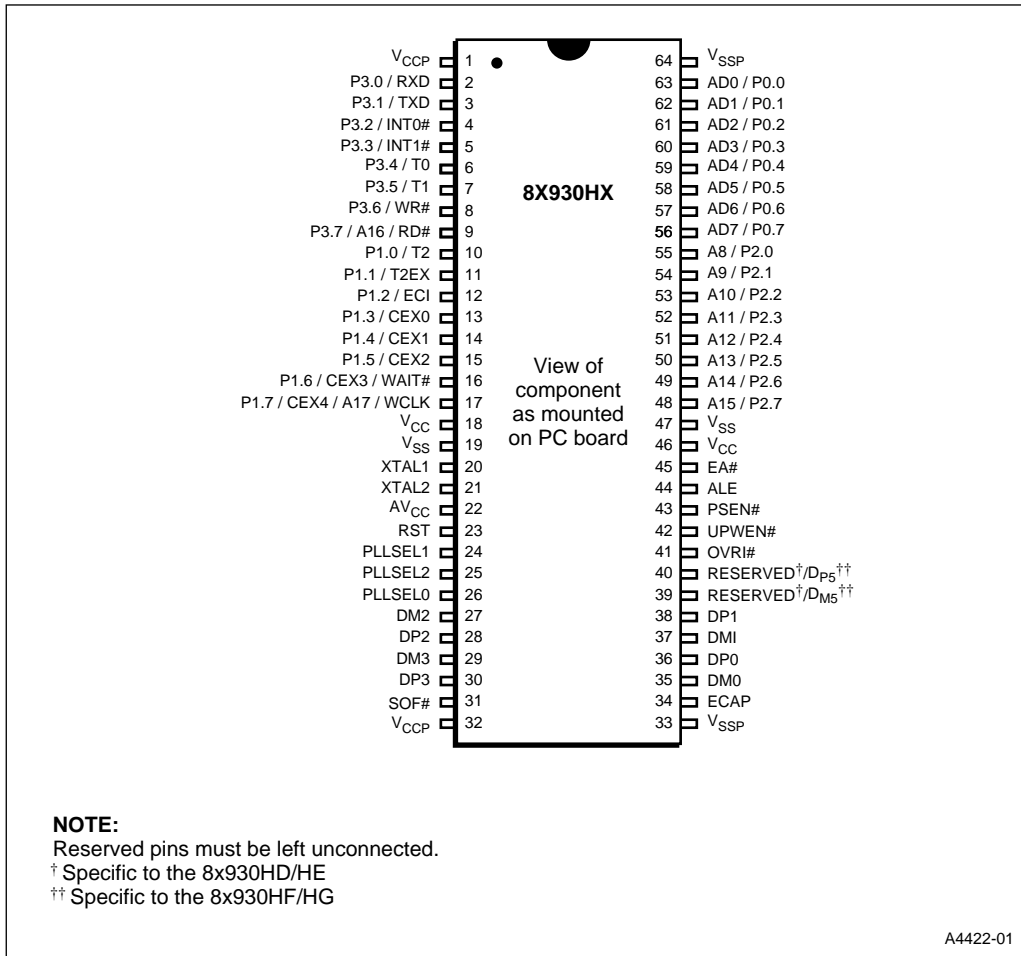


Figure 5. 8x930HD/HE and 8x930HF/HG 64-pin SDIP Package

Table 6. 68-pin PLCC Pin Assignment

Pin	Name	Pin	Name	Pin	Name
1	V _{SS}	24	P3.4/T0	47	Reserved
2	A15/P2.7	25	P3.5/T1	48	D _{M3}
3	A14/P2.6	26	P3.6/WR#	49	D _{P3}
4	A13/P2.5	27	P3.7/RD#/A16	50	SOF#
5	A12/P2.4	28	P1.0/T2	51	V _{CCP}
6	A11/P2.3	29	P1.1/T2EX	52	V _{SSP}
7	A10/P2.2	30	P1.2/ECI	53	ECAP
8	A9/P2.1	31	P1.3/CEX0	54	D _{M0}
9	A8/P2.0	32	P1.4/CEX1	55	D _{P0}
10	AD7/P0.7	33	P1.5/CEX2	56	Reserved
11	AD6/P0.6	34	P1.6/CEX3/WAIT#	57	D _{M1}
12	AD5/P0.5	35	P1.7/CEX4/A17/WCLK	58	D _{P1}
13	AD4/P0.4	36	V _{CC}	59	OVRI# [†] /D _{M5} ^{††}
14	AD3/P0.3	37	V _{SS}	60	UPWEN# [†] /D _{P5} ^{††}
15	AD2/P0.2	38	XTAL1	61	Reserved [†] /OVRI# ^{††}
16	AD1/P0.1	39	XTAL2	62	Reserved [†] /UPWEN# ^{††}
17	AD0/P0.0	40	AV _{CC}	63	Reserved
18	V _{SSP}	41	RST	64	Reserved
19	V _{CCP}	42	PLLSEL1	65	PSEN#
20	P3.0/RXD	43	PLLSEL2	66	ALE
21	P3.1/TXD	44	PLLSELO	67	EA#
22	P3.2/INT0#	45	D _{M2}	68	V _{CC}
23	P3.3/INT1#	46	D _{P2}		

[†] Specific to the 8x930HD/HE

^{††} Specific to the 8x930HF/HG

Table 7. 64-pin SDIP Pin Assignment

Pin	Name	Pin	Name	Pin	Name
1	V _{CCP}	23	RST	45	EA#
2	P3.0/RXD	24	PLLSEL1	46	V _{CC}
3	P3.1/TXD	25	PLLSEL2	47	V _{SS}
4	P3.2/INT0#	26	PLLSELO	48	A15/P2.7
5	P3.3/INT1#	27	DM2	49	A14/P2.6
6	P3.4/T0	28	DP2	50	A13/P2.5
7	P3.5/T1	29	DM3	51	A12/P2.4
8	P3.6/WR#	30	DP3	52	A11/P2.3
9	P3.7/A16/RD#	31	SOF#	53	A10/P2.2
10	P1.0/T2	32	V _{CCP}	54	A9/P2.1
11	P1.1/T2EX	33	V _{SSP}	55	A8/P2.0
12	P1.2/ECI	34	ECAP	56	AD7/P0.7
13	P1.3/CEX0	35	DM0	57	AD6/P0.6
14	P1.4/CEX1	36	DP0	58	AD5/P0.5
15	P1.5/CEX2	37	DM1	59	AD4/P0.4
16	P1.6/CEX3/WAIT#	38	DP1	60	AD3/P0.3
17	P1.7/CEX4/A17/WCLK	39	Reserved [†] /D _{M5} ^{††}	61	AD2/P0.2
18	V _{CC}	40	Reserved [†] /D _{P5} ^{††}	62	AD1/P0.1
19	V _{SS}	41	OVR1#	63	AD0/P0.0
20	XTAL1	42	UPWEN#	64	V _{SSP}
21	XTAL2	43	PSEN#		
22	AVCC	44	ALE		

[†] Specific to the 8x930HD/HE

^{††} Specific to the 8x930HF/HG

Table 8. 68-pin PLCC Signal Assignments Arranged by Functional Category

Address & Data		Input/Output		USB	
Name	Pin	Name	Pin	Name	Pin
AD0/P0.0	17	P1.0/T2	28	PLLSEL0	44
AD1/P0.1	16	P1.1/T2EX	29	PLLSEL1	42
AD2/P0.2	15	P1.2/ECI	30	PLLSEL2	43
AD3/P0.3	14	P1.3/CEX0	31	D _{M0}	54
AD4/P0.4	13	P1.4/CEX1	32	D _{P0}	55
AD5/P0.5	12	P1.5/CEX2	33	D _{M1}	57
AD6/P0.6	11	P1.6/CEX3/WAIT#	34	D _{P1}	58
AD7/P0.7	10	P1.7/CEX4/A17/WCLK	35	D _{M2}	45
A8/P2.0	9	P3.0/RXD	20	D _{P2}	46
A9/P2.1	8	P3.1/TXD	21	D _{M3}	48
A10/P2.2	7	P3.2/INT0#	22	D _{P3}	49
A11/P2.3	6	P3.3/INT1#	23	SOF#	50
A12/P2.4	5	P3.4/T0	24	ECAP	53
A13/P2.5	4	P3.5/T1	25	OVR1#	59 [†] / 61 ^{††}
A14/P2.6	3	P3.6/WR#	26	UPWEN#	60 [†] / 62 ^{††}
A15/P2.7	2	P3.7/RD#/A16	27	D _{M5}	59 ^{††}
P3.7/RD#/A16	27			D _{P5}	60 ^{††}
P1.7/CEX4/A17/WCLK	35				

Processor Control		Power & Ground		Bus Control & Status	
Name	Pin	Name	Pin	Name	Pin
P3.2/INT0#	22	V _{CC}	36, 68	P3.6/WR#	26
P3.3/INT1#	23	V _{CCP}	19, 51	P3.7/RD#/A16	27
RST	41	AV _{CC}	40	PSEN#	65
XTAL1	38	V _{SS}	1, 37	ALE	66
XTAL2	39	V _{SSP}	18, 52	EA#	67

[†] Specific to the 8x930HD/HE

^{††} Specific to the 8x930HF/HG

Table 9. 64-pin SDIP Signal Assignments Arranged by Functional Category

Address & Data		Input/Output		USB	
Name	Pin	Name	Pin	Name	Pin
AD0/P0.0	63	P1.0/T2	10	PLLSEL0	26
AD1/P0.1	62	P1.1/T2EX	11	PLLSEL1	24
AD2/P0.2	61	P1.2/ECI	12	PLLSEL2	25
AD3/P0.3	60	P1.3/CEX0	13	D _{M0}	35
AD4/P0.4	59	P1.4/CEX1	14	D _{P0}	36
AD5/P0.5	58	P1.5/CEX2	15	D _{M1}	37
AD6/P0.6	57	P1.6/CEX3/WAIT#	16	D _{P1}	38
AD7/P0.7	56	P1.7/CEX4/A17/WCLK	17	D _{M2}	27
A8/P2.0	55	P3.0/RXD	2	D _{P2}	28
A9/P2.1	54	P3.1/TXD	3	D _{M3}	29
A10/P2.2	53	P3.2/INT0#	4	D _{P3}	30
A11/P2.3	52	P3.3/INT1#	5	SOF#	31
A12/P2.4	51	P3.4/T0	6	ECAP	34
A13/P2.5	50	P3.5/T1	7	OVRI#	41
A14/P2.6	49	P3.6/WR#	8	UPWEN#	42
A15/P2.7	48	P3.7/A16/RD#	9	Reserved [†] /D _{M5} ^{††}	39
P3.7/A16/RD#	9			Reserved [†] /D _{P5} ^{††}	40
P1.7/CEX4/A17/WCLK	17				

Processor Control	
Name	Pin
P3.2/INT0#	4
P3.3/INT1#	5
RST	23
XTAL1	20
XTAL2	21

Power & Ground	
Name	Pin
V _{CC}	46
V _{CCP}	32
AV _{CC}	22
V _{SS}	47
V _{SSP}	64

Bus Control & Status	
Name	Pin
P3.6/WR#	8
P3.7/RD#/A16	9
PSEN#	43
ALE	44
EA#	45

[†] Specific to the 8x930HD/HE

^{††} Specific to the 8x930HF/HG

4.0 SIGNALS

Table 10. Signal Description (Sheet 1 of 4)

Signal Name	Type	Description	Alternate Function
A17	O	Address Line 17. Output to memory as 18th external address bit in extended bus applications. Selected with bits RD1:0 in configuration byte UCONFIG0. See Table 11 and RD#, WR#, and PSEN#.	P1.7/CEX4/WCLK
A16	O	Address Line 16. Output to memory as 17th external address bit in extended bus applications. Selected with bits RD1:0 in configuration byte UCONFIG0. See Table 11 and RD#, WR#, and PSEN#.	RD#
A15:8	O	Address Lines. Upper address lines for external memory. Description is for nonpage mode configuration. For page mode configuration, data (D7:0) is multiplexed with the upper address byte (A15:8).	P2.7:0
AD7:0	I/O	Address/Data Lines. Multiplexed lower address lines and data lines for external memory. Description is for nonpage mode configuration. For page mode configuration, data (D7:0) is multiplexed with the upper address byte (A15:8).	P0.7:0
ALE	O	Address Latch Enable. ALE signals the start of an external bus cycle and indicates that valid address information is available on lines A15:8 and AD7:0. An external latch can use ALE to demultiplex the address from the address/data bus.	—
AV _{CC}	PWR	Analog V_{CC}. A separate V _{CC} input for the phase-locked loop circuitry.	—
CEX2:0 CEX3 CEX4	I/O	Programmable Counter Array (PCA) Input/Output Pins. These are input signals for the PCA capture mode and output signals for the PCA compare mode and PCA PWM mode.	P1.5:3 P1.6/WAIT# P1.7/A17/WCLK
D _{M0} , D _{P0}	I/O	USB Port 0. D _{P0} and D _{M0} are the data plus and data minus lines of USB port 0, the upstream differential port. These lines do not have internal pullup resistors. Provide an external 1.5 K Ω pullup resistor at D _{P0} to indicate the connection of a fullspeed device. NOTE: D _{P0} low and D _{M0} low signals an SE0 (USB reset), causing the 8x930Hx to stay in reset.	—
D _{M1} , D _{P1} D _{M2} , D _{P2} D _{M3} , D _{P3} D _{M5} , D _{P5}	I/O	USB Ports 1, 2, 3, and 5. D _{P1} , D _{P2} , D _{P3} , D _{M1} , D _{M2} , D _{M3} , D _{M5} , and D _{P5} are the data plus and data minus lines of USB ports 1, 2, 3, and 5, the four downstream differential ports. These lines have no internal pulldown resistors. Provide an external 15 K Ω pulldown resistor at each of these pins. (See "Unused Downstream Ports" on page 33.)	—

Table 10. Signal Description (Sheet 2 of 4)

Signal Name	Type	Description	Alternate Function
EA#	I	External Access. Directs program memory accesses to on-chip or off-chip code memory. When EA# is connected to ground, all program memory accesses are off-chip. When EA# is connected to V _{CC} , program accesses on-chip ROM if the address is within the range of the on-chip ROM; otherwise, the access is off-chip. The value of EA# is latched at reset. For devices without on-chip ROM, EA# must be connected to ground.	—
ECAP	I	External Capacitor. Connect a 1 µF or larger capacitor between this pin and V _{SS} to ensure proper operation of the differential line drivers.	—
ECI	I	PCA External Clock Input. External clock input to the 16-bit PCA timer.	P1.2
INT1:0#	I	External Interrupts 0 and 1. These inputs set the IE1:0 interrupt flags in the TCON register. Bits IT1:0 in TCON select the triggering method: edge-triggered (high-to-low) or level triggered (active low). INT1:0 also serves as external run control for timer1:0 when selected by GATE1:0# in TCON.	P3.3:2
OVRI#	I	Overcurrent Sense. Senses input to indicate an overcurrent condition for a bus-powered USB device on an external downstream port. Active low.	—
P0.7:0	I/O	Port 0. This is an 8-bit, open-drain, bidirectional I/O port.	AD7:0
P1.0 P1.1 P1.2 P1.5:3 P1.6 P1.7	I/O	Port 1. This is an 8-bit, bidirectional I/O port with internal pull-ups.	T2 T2EX ECI CEX2:0 CEX3/WAIT# CEX4/A17/WCLK
P2.7:0	I/O	Port 2. An 8-bit, bidirectional I/O port with internal pull-ups.	A15:8
P3.0 P3.1 P3.3:2 P3.5:4 P3.6 P3.7	I/O	Port 3. An 8-bit, bidirectional I/O port with internal pull-ups.	RXD TXD INT1:0# T1:0 WR# RD#/A16
PLLSEL2:0	I	Phase-locked Loop Select. Three-bit code selects USB data rate (see Table 13 on page 17).	—
PSEN#	O	Program Store Enable. Read signal output. Asserted for the memory address range determined by bits RD1:0 in configuration byte UCONFIG0 (see RD# and Table 11).	—
RD#	O	Read. Read signal output to external data memory. Asserted only for RD1:0 = 11. See configuration byte UCONFIG0. (Also see PSEN# and Table 11).	P3.7/A16

Table 10. Signal Description (Sheet 3 of 4)

Signal Name	Type	Description	Alternate Function
RST	I	Reset. Reset input to the chip. Holding this pin high for 64 oscillator periods while the oscillator is running resets the device. The port pins are driven to their reset conditions when a voltage greater than V_{IH1} is applied, whether or not the oscillator is running. This pin has an internal pulldown resistor; connecting a capacitor between this pin and V_{CC} implements power-on reset. Asserting RST when the chip is in idle mode or powerdown mode returns the chip to normal operation.	—
RXD	I/O	Receive Serial Data. RXD sends and receives data in serial I/O mode 0 and receives data in serial I/O modes 1, 2, and 3.	P3.0
SOF#	O	Start of Frame. Start of frame pulse. Active low. Asserted for 8 states (see Table 13) when frame timer is locked to USB frame timing and when SOF token or artificial SOF is detected.	—
T1:0	I	Timer 1:0 External Clock Input. When timer 1:0 operates as a counter, a falling edge on the T1:0 pin increments the count.	P3.5:4
T2	I/O	Timer 2 Clock Input/Output. For the timer 2 capture mode, this signal is the external clock input. For the clock-out mode, it is the timer 2 clock output.	P1.0
T2EX	I	Timer 2 External Input. In timer 2 capture mode, a falling edge initiates a capture of the timer 2 registers. In auto-reload mode, a falling edge causes the timer 2 registers to be reloaded. In the up-down counter mode, this signal determines the count direction: 1 = up, 0 = down.	P1.1
TXD	O	Transmit Serial Data. TXD outputs the shift clock in serial I/O mode 0 and transmits serial data in serial I/O modes 1, 2, and 3.	P3.1
UPWEN#	O	USB Power Enable. A low signal on this pin applies power to all three external downstream ports.	—
V_{CC}	PWR	Supply Voltage. Connect this pin to the +5V supply voltage.	—
V_{CCP}	PWR	Supply Voltage for I/O Buffers. Connect this pin to the +5V supply voltage.	—
V_{SS}	GND	Circuit Ground. Connect this pin to ground.	—
V_{SSP}	GND	Circuit Ground for I/O Buffers. Connect this pin to ground.	—
WAIT#	I	Real-time Wait State Input. The real-time WAIT# input is enabled by writing a logical '1' to the WCON.0 (RTWE) bit at S:A7H. During bus cycles, the external memory system can signal 'system ready' to the microcontroller in real time by controlling the WAIT# input signal on the port 1.6 input.	P1.6/CEX3
WCLK	O	Wait Clock Output. The real-time WCLK output is driven at port 1.7 (WCLK) by writing a logical '1' to the WCON.1 (RTWCE) bit at S:A7H. When enabled, the WCLK output produces a square wave signal with a period of TCLK.	P1.7/CEX4/A17

Table 10. Signal Description (Sheet 4 of 4)

Signal Name	Type	Description	Alternate Function
WR#	O	Write. Write signal output to external memory (See Table 11).	P3.6
XTAL1	I	Oscillator Amplifier Input. When implementing the on-chip oscillator, connect the external crystal/resonator across XTAL1 and XTAL2. If an external clock source is used, then connect it to this pin.	—
XTAL2	O	Oscillator Amplifier Output. When implementing the on-chip oscillator, connect the external crystal/resonator across XTAL1 and XTAL2. If an external oscillator is used, then leave XTAL2 unconnected.	—

Table 11. Memory Signal Selections (RD1:0) †

RD1:0	A17/P1.7/ CEX4/WCLK	A16/P3.7/RD#	PSEN#	WR#	Features
0 0	A17	A16	Asserted for all addresses	Asserted for writes to all memory locations	256-Kbyte external address space
0 1	P1.7/CEX4/WCLK	A16	Asserted for all addresses	Asserted for writes to all memory locations	128-Kbyte external address space
1 0	P1.7/CEX4/WCLK	P3.7 only	Asserted for all addresses	Asserted for writes to all memory locations	64-Kbyte external address space One additional port pin
1 1	P1.7/CEX4/WCLK	RD# asserted for addresses ≤ 7F:FFFFH	Asserted for addresses ≥ 80:0000H	Asserted only for writes to MCS® 51 microcontroller data memory locations.	Compatible with MCS 51 microcontrollers. Separate 64-Kbyte external program and data memories.

† RD1:0 are bits 3:2 of configuration byte UCONFIG0. Refer to Figure 4-3 on page 4-5 in the *8x930Ax, 8x930Hx Universal Serial Bus Microcontroller User's Manual*.

5.0 ADDRESS MAP

Table 12. 8x930Hx Address Map

Internal Address)	Description	Notes
FF:FFFFH FF:4000H	External Memory except the top eight bytes (FF:FFF8H – FF:FFFFH) which are reserved for the configuration array.	1, 2, 3
FF:FFFFH FF:0000H	External memory or on-chip nonvolatile memory (8 Kbytes FF:0000H – FF:1FFFH, 16 Kbytes FF:0000H – FF:3FFFH).	2, 4, 5
FE:FFFFH FE:0000H	External Memory	2
FD:FFFFH 02:0000H	Reserved Addresses	6
01:FFFFH 01:0000H	External Memory	2
00:FFFFH 00:0420H	External Memory	4
00:041FH 00:0080H	On-chip RAM	4
00:007FH 00:0020H	On-chip RAM	7
00:001FH 00:0000H	Storage for R0–R7 of Register File	8, 9

NOTES:

- 18 address lines are bonded out (A15:0, A16:0, or A17:0 selected during chip configuration).
- Data in this area is accessible by indirect addressing only.
- Eight addresses at the top of all external memory maps are reserved for current and future device Configuration Byte information.
- Data is accessible by direct and indirect addressing.
- Devices reset into internal or external starting locations depending on the state of EA# and configuration byte information. See EA# signal description in Table 5. See also UCONFIG1:0 bit definitions in the *8x930Ax, 8x930Hx Universal Serial Bus Micorcontroller User's Manual*.
- This reserved area returns unspecified values. Software can execute a write to the reserved area, but nothing is actually written.
- Data is accessible by direct, indirect, and bit addressing.
- The special function registers (SFRs) and the register file have separate internal address spaces.
- Data is accessible by direct, indirect, and register addressing.

6.0 ELECTRICAL CHARACTERISTICS

ABSOLUTE MAXIMUM RATINGS[†]

Ambient Temperature Under Bias.....	-40°C to +85°C
Storage Temperature	-65°C to +150°C
Voltage on Any Pins to V _{SS}	-0.5 V to +6.5 V
I _{OL} per I/O Pin.....	15 mA
Power Dissipation (1)	1.5 W

NOTICE: This document contains information on products in the sampling and initial production phases of development. The specifications are subject to change without notice. Verify with your local Intel sales office that you have the latest datasheet before finalizing a design.

OPERATING CONDITIONS[†]

T _A (Ambient Temperature Under Bias):	
Commercial.....	-0°C to +70°C
V _{CC} / V _{OCP} (Digital Supply Voltage)	4.40 V to 5.25 V
V _{SS} / V _{SSP}	0 V
AV _{CC} (Analog Supply Voltage)	4.40 V to 5.25 V
F _{OSC}	12 MHz

[†] **WARNING:** *Stressing the device beyond the “Absolute Maximum Ratings” may cause permanent damage. These are stress ratings only. Operation beyond the “Operating Conditions” is not recommended and extended exposure beyond the “Operating Conditions” may affect device reliability.*

NOTE: Maximum power dissipation is based on package heat-transfer limitations, not device power consumption.

6.1 Operating Frequencies

Table 13. 8x930Hx Operating Frequency

PLLSEL2:0 Pin 43, 42, 44 (1)	XTAL1 Frequency (F _{OSC})	USB Rate (2)	Internal Frequency for CPU and Peripherals (1/T _{CLK}) (3)	XTAL1 Clocks per State (T _{OSC} /state) (5)	Comments
110	12 MHz	12 Mbps (Full Speed)	12 MHz (4)	1	PLL On

NOTES:

- Other PLLSELx combinations are not valid.
- The sampling rate is four times the USB rate.
- The AC timing specification (Table 16) defines the following symbol: CPU frequency = F_{CLK} = 1/T_{CLK}.
- The 8x930Hx CPU and peripheral frequency is 3 MHz (low clock mode) until the LC bit in PCON is cleared by user firmware.
- When the CPU is operating in low clock mode (3 MHz), 1 state equals 4 T_{OSC}.

6.2 DC Characteristics

Table 14. DC Characteristics at Operating Conditions (Sheet 1 of 2)

Symbol	Parameter	Min	Typical ⁽¹⁾	Max	Units	Test Conditions
V _{IL}	Input Low Voltage (except EA#)	-0.5		0.2 V _{CC} - 0.1	V	
V _{IL1}	Input Low Voltage (EA#)	0		0.2 V _{CC} - 0.3	V	
V _{IH}	Input High Voltage (except XTAL1, RST)	0.2 V _{CC} + 0.9		V _{CC} + 0.5	V	
V _{IH1}	Input High Voltage (XTAL1, RST)	0.7 V _{CC}		V _{CC} + 0.5	V	
V _{OL}	Output Low Voltage (port 1, 2, 3)			0.3 0.45 1.0	V	I _{OL} = 100 μA ^{(2) (3)} I _{OL} = 1.6 mA I _{OL} = 3.5 mA
V _{OL1}	Output Low Voltage (port 0, ALE, PSEN#, SOF#)			0.3 0.45 1.0	V	I _{OL} = 200 μA ^{(2) (3)} I _{OL} = 3.2 mA I _{OL} = 7.0 mA
V _{OH}	Output High Voltage (port 1, 2, 3, ALE, PSEN#, SOF#)	V _{CC} - 0.3 V _{CC} - 0.7 V _{CC} - 1.5			V	I _{OH} = -10 μA ⁽⁴⁾ I _{OH} = -30 μA I _{OH} = -60 μA
V _{OH1}	Output High Voltage (port 0 in external address space)	V _{CC} - 0.3 V _{CC} - 0.7 V _{CC} - 1.5			V	I _{OH} = -200 μA ⁽⁴⁾ I _{OH} = -3.2 mA I _{OH} = -7.0 mA
I _{IL}	Logical 0 Input Current (port 1,2,3)			-150	μA	V _{IN} = 0.45 V
I _{LI}	Input Leakage Current (port 0)			±10	μA	0.45 < V _{IN} < V _{CC}
I _{TL}	Logical 1-to-0 Transition Current (Port 1, 2,3)			-650	μA	V _{IN} = 2.0 V
R _{RST}	RST Pulldown Resistor	40		225	KΩ	
C _{IO}			10		pF	F _{OSC} = 12 MHz T _A = 25°C
I _{PD}	Powerdown Current Normal powerdown USB suspend		25 145	75 175	μA	

Table 14. DC Characteristics at Operating Conditions (Sheet 2 of 2)

Symbol	Parameter	Min	Typical ⁽¹⁾	Max	Units	Test Conditions
I_{DL}	Idle Mode I_{CC}			60	mA	Full speed (in low clock mode) PLLSEL2:0 = 110 $F_{CLK} = 3$ MHz
				110		Full speed (not in low clock mode) PLLSEL2:0 = 110 $F_{CLK} = 12$ MHz
I_{CC}	Active Current			75	mA	Full speed (in low clock mode) PLLSEL2:0 = 110 $F_{CLK} = 3$ MHz
				170		Full speed (not in low clock mode) PLLSEL2:0 = 110 $F_{CLK} = 12$ MHz

NOTE:

- Typical values are obtained using $V_{CC} = 5.0V$, $T_A = 25^{\circ}C$ and are not guaranteed.
- Under steady state (non-transient) conditions, I_{OL} must be externally limited as follows:
 Maximum I_{OH} per port pin: 10 mA
 Maximum I_{OL} per 8-bit port:
 Port 0: 26 mA Ports 1-3: 15 mA
 Maximum Total I_{OL} for all output pins: 71 mA
 If I_{OL} exceeds the test conditions, then V_{OL} may exceed the related specification. Pins are not guaranteed to sink current greater than the listed test conditions.
- Capacitive loading on ports 0 and 2 may cause spurious noise pulses above 0.4 V on the low-level outputs of ALE and ports 1, 2, and 3. The noise is due to external bus capacitance discharging into the port 0 and port 2 pins when these pins change from 1 to 0. In applications where capacitive loading exceeds 100 pF, the noise pulses on these signals may exceed 0.8 V. It may be desirable to qualify ALE or other signals with a Schmitt trigger or CMOS-level input logic.
- Capacitive loading on ports 0 and 2 causes the V_{OH} on ALE and PSEN to drop below the V_{CC} specification when the address lines are stabilizing.

6.3 Explanation of Timing Symbols

Table 15 defines the timing symbols used in Tables 11 through 14 and the associated timing diagrams. They have the form T_{XYY} , where the character pairs represent a signal and its condition. Timing symbols represent the time between two signal / condition points.

Table 15. AC Timing Symbol Definitions

Character	Signal(s)
A	Address: A17, A16, A15:8, A7:0
C	Wait Clock (WCLK), External Clock (XTAL1)
D	Data In: D7:0, RXD
L	ALE
Q	Data Out: D7:0, RXD
R	Read: RD#/PSEN#
W	Write: WR#
X	TXD
Y	WAIT#

Character	Condition
H	High
L	Low
V	Valid, Setup
X	No Longer Valid, Hold
Z	Floating (low impedance)

6.4 System Bus AC Characteristics

Test Conditions: Capacitive load on all pins = 50 pF, Rise and Fall times = 10 ns, $F_{OSC} = 12$ MHz.

Table 16. AC Characteristics at Operating Conditions (Sheet 1 of 2)

Symbol	Parameter	CPU Frequency @ 12 MHz (M, N = 0)	CPU Frequency (F_{CLK}) Variable		Units
			Min	Max	
T_{CLK}	1/(CPU Frequency)	83.33 (Typical)			ns (1) (2)
T_{LHLL}	ALE Pulse Width	34.66	$(0.5+M)T_{CLK} - 7$		ns ⁽⁴⁾
T_{AVLL}	Address Valid to ALE Low	21.66	$(0.5+M)T_{CLK} - 20$		ns ⁽⁴⁾
T_{LLAX}	Address Hold after ALE Low	4	4		ns
T_{RLRH} ⁽³⁾	RD# or PSEN# Pulse Width	73.33	$(1+N)T_{CLK} - 10$		ns ⁽⁵⁾
T_{WLWH}	WR# Pulse Width	71.33	$(1+N)T_{CLK} - 12$		ns ⁽⁵⁾
T_{LLRL} ⁽³⁾	ALE Low to RD# or PSEN# Low	5	5		ns
T_{LHAX}	ALE High to Address Hold	40.33	$(1+M)T_{CLK} - 43$		ns ⁽⁴⁾
T_{RLDV} ⁽³⁾	RD# or PSEN# Low to Valid Data/Instruction In	50.33		$(1+N)T_{CLK} - 33$	ns ⁽⁵⁾
T_{RHDX} ⁽³⁾	Data/Instruction. Hold After RD# or PSEN# High	0	0		ns
T_{RLAZ} ⁽³⁾	RD# or PSEN# Low to Address Float	0		0	ns
T_{RHDZ1} ⁽³⁾	Instruct. Float After PSEN# High	10		10	ns
T_{RHDZ2} ⁽³⁾	Data Float After RD# or PSEN# High	83.33		T_{CLK}	ns
T_{RHLH1} ⁽³⁾	PSEN# High to ALE High (instruction)	10	10		ns
T_{RHLH2} ⁽³⁾	RD# or PSEN# High to ALE High (data)	83.33	T_{CLK}		ns
T_{WHLH}	WR# High to ALE High	88.33	$T_{CLK} + 5$		ns
T_{AVDV1}	Address (Port 0) Valid to Valid Data/Instruction In	98.66		$(2+M+N)T_{CLK} - 68$	ns (4) (5)

NOTES:

1. Refer to Table 13 for CPU frequencies versus XTAL1 frequencies.
2. XTAL1 frequency is $\pm 0.25\%$ for full speed and $\pm 1.5\%$ for low speed.
3. Specifications for PSEN# are identical to those for RD#.
4. M = 0,1 is the extended ALE state.
5. N = 0,1,2,3 is the RD#/PSEN#/WR# wait state.

Table 16. AC Characteristics at Operating Conditions (Sheet 2 of 2)

Symbol	Parameter	CPU Frequency @ 12 MHz (M, N = 0)	CPU Frequency (F_{CLK}) Variable		Units
			Min	Max	
T_{AVDV2}	Address (Port 2) Valid to Valid Data/Instruction In	118.66		$(2+M+N)T_{CLK} - 48$	ns ⁽⁴⁾ ⁽⁵⁾
T_{AVDV3}	Address (Port 2) Valid to Valid Instruction In	23.33		$(1+N)T_{CLK} - 60$	ns ⁽⁵⁾
$T_{AVRL}^{(3)}$	Address Valid to RD# or PSEN# Low	37.33	$(1+M)T_{CLK} - 46$		ns ⁽⁴⁾
T_{AVWL1}	Address (Port 0) Valid to WR# Low	37.33	$(1+M)T_{CLK} - 46$		ns ⁽⁴⁾
T_{AVWL2}	Address (Port 2) Valid to WR# Low	66.33	$(1+M)T_{CLK} - 17$		ns ⁽⁴⁾
T_{WHQX}	Data Hold after WR# High	28.66	$0.5 T_{CLK} - 13$		ns
T_{QVWH}	Data Valid to WR# High	68.33	$(1+N)T_{CLK} - 15$		ns ⁽⁵⁾
T_{WHAX}	WR# High to Address Hold	70.33	$T_{CLK} - 13$		ns

NOTES:

1. Refer to Table 13 for CPU frequencies versus XTAL1 frequencies.
2. XTAL1 frequency is $\pm 0.25\%$ for full speed and $\pm 1.5\%$ for low speed.
3. Specifications for PSEN# are identical to those for RD#.
4. M = 0,1 is the extended ALE state.
5. N = 0,1,2,3 is the RD#/PSEN#/WR# wait state.

6.4.1 SYSTEM BUS TIMING DIAGRAMS

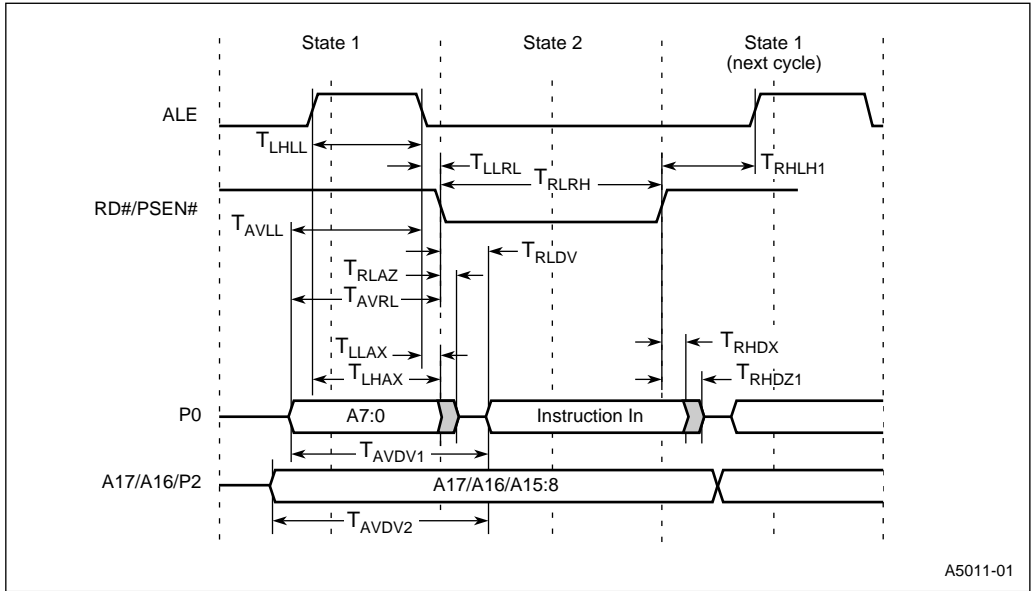


Figure 6. 8x930Hx Code Fetch, Nonpage Mode

A5011-01

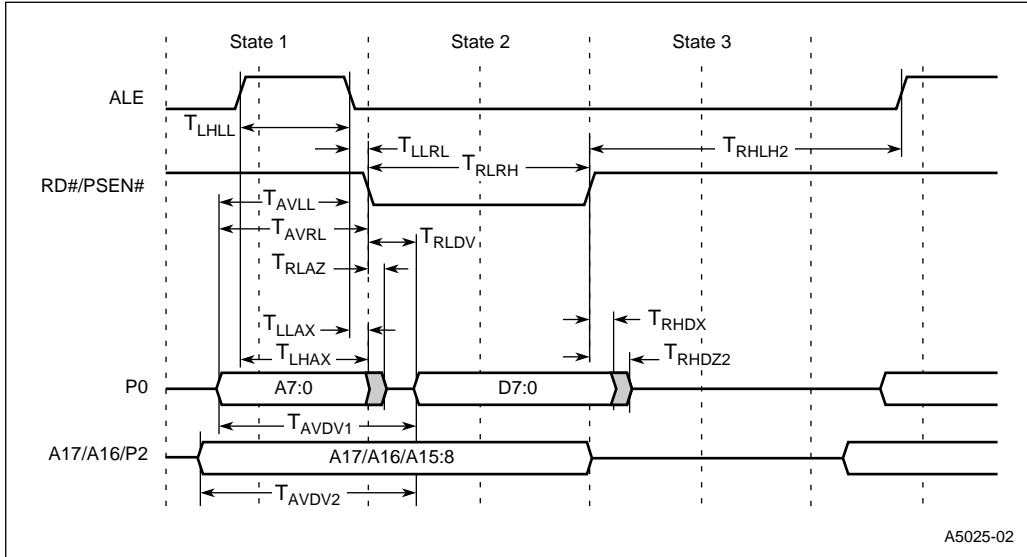


Figure 7. 8x930Hx Data Read, Nonpage Mode

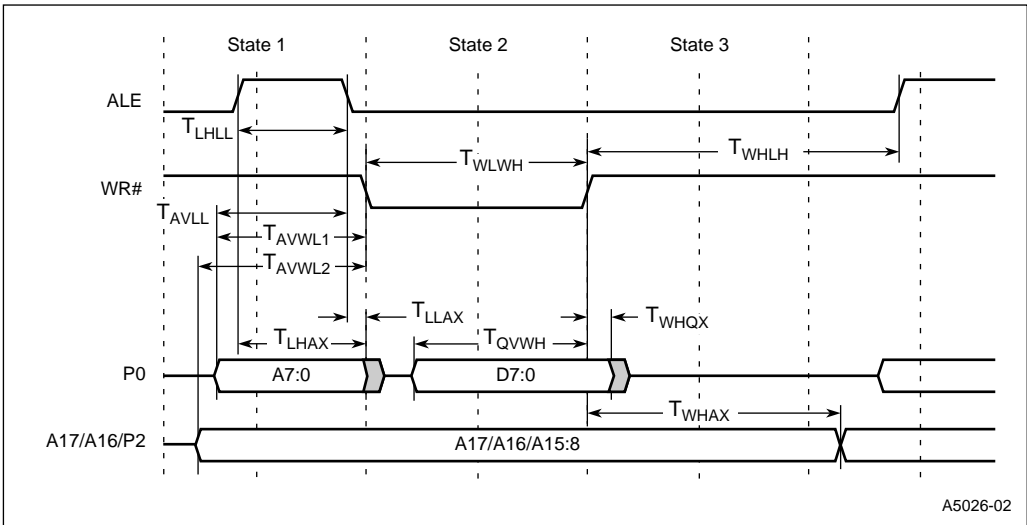


Figure 8. 8x930Hx Data Write, Nonpage Mode

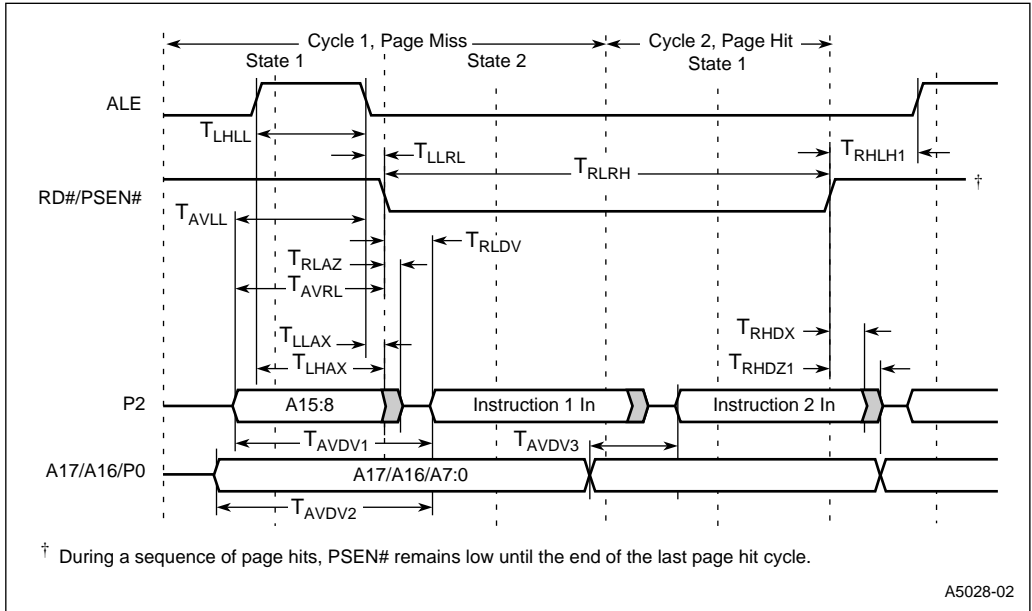


Figure 9. 8x930Hx Code Fetch, Page Mode

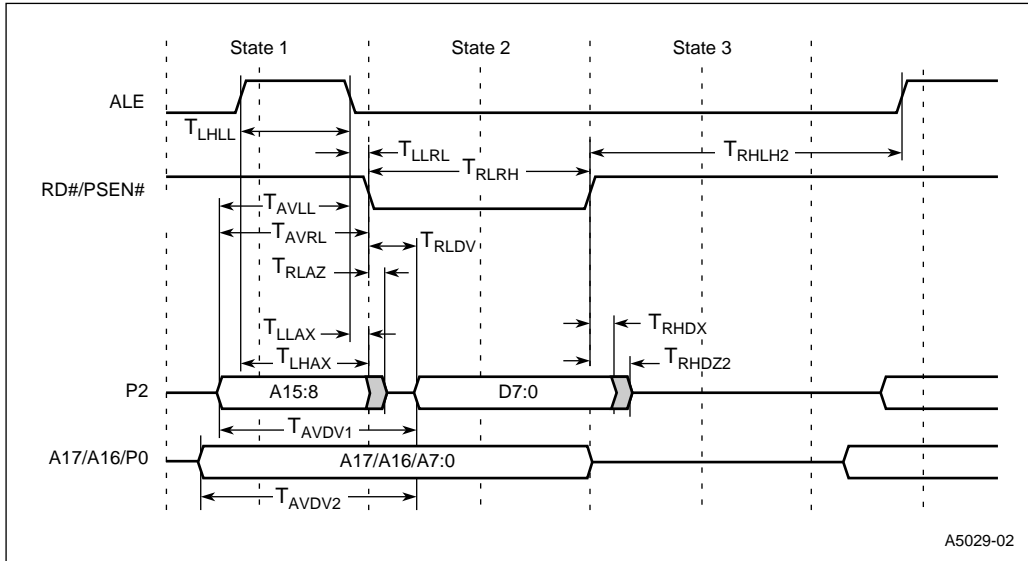


Figure 10. 8x930Hx Data Read, Page Mode

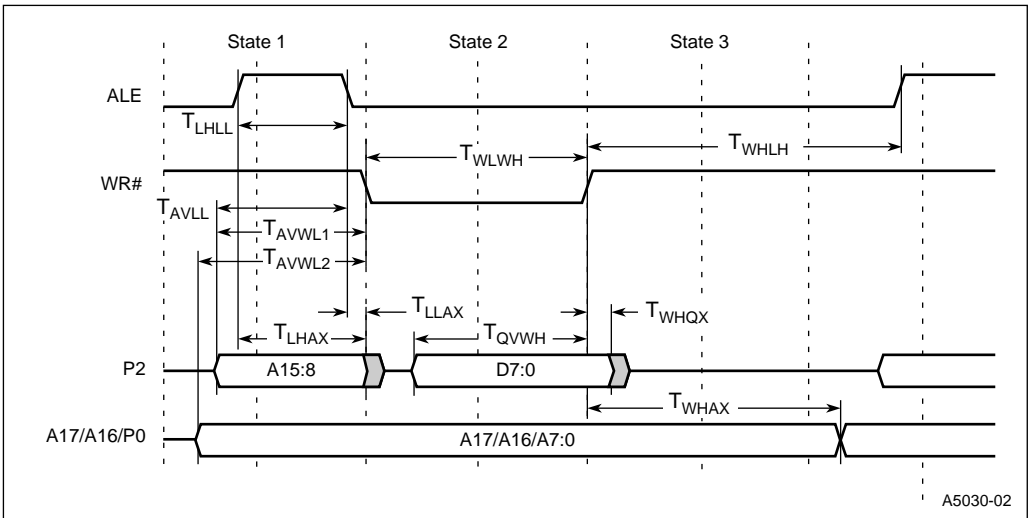


Figure 11. 8x930Hx Data Write, Page Mode

6.4.2 REAL-TIME WAIT STATE FUNCTION AC CHARACTERISTICS

Table 17. Real-time Wait State AC Timing Specifications

Symbol	Parameter	F _{CLK} Variable ^{(1) (2)}			Units
		Min	Typ	Max	
T _{CLYV}	WCLK Low to WAIT# Setup	0		0.5 T _{CLK} - 13	ns
T _{CLYX}	WAIT# Hold after WCLK Low	(W)T _{CLK} + 5		(0.5+W)T _{CLK} - 13	ns
T _{RLYV} ⁽²⁾	PSEN# or RD# Low to WAIT# Setup	0		0.5 T _{CLK} - 13	ns
T _{RLYX}	WAIT# Hold after PSEN# or RD# Low	(W)T _{CLK} + 5		(0.5+W)T _{CLK} - 13	ns
T _{WLYV}	WR# Low to WAIT# Setup	0		0.5 T _{CLK} - 13	ns
T _{WLYX}	WAIT# Hold after WR# Low	(W)T _{CLK} + 5		(0.5+W)T _{CLK} - 13	ns

NOTES:

1. W is the number of real-time wait states (0, 1, 2, ... highest possible number).
2. The real-time wait function has a critical timing for instruction reads. It is not advisable to use this feature for instruction reads during page mode.

6.4.3 REAL-TIME WAIT STATE FUNCTION TIMING DIAGRAMS

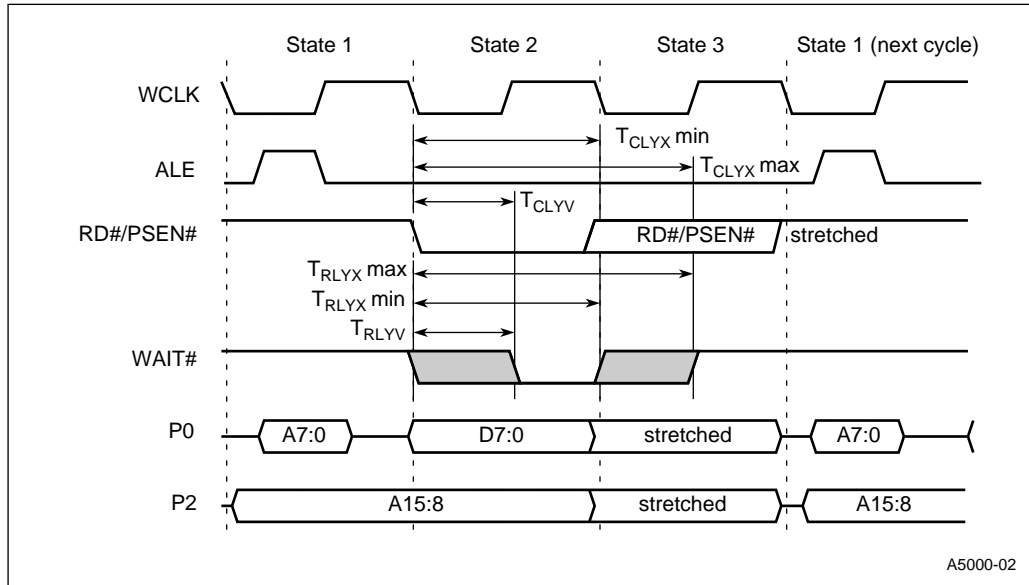


Figure 12. External Code Fetch/Data Read (Nonpage Mode, Real-time Wait State)

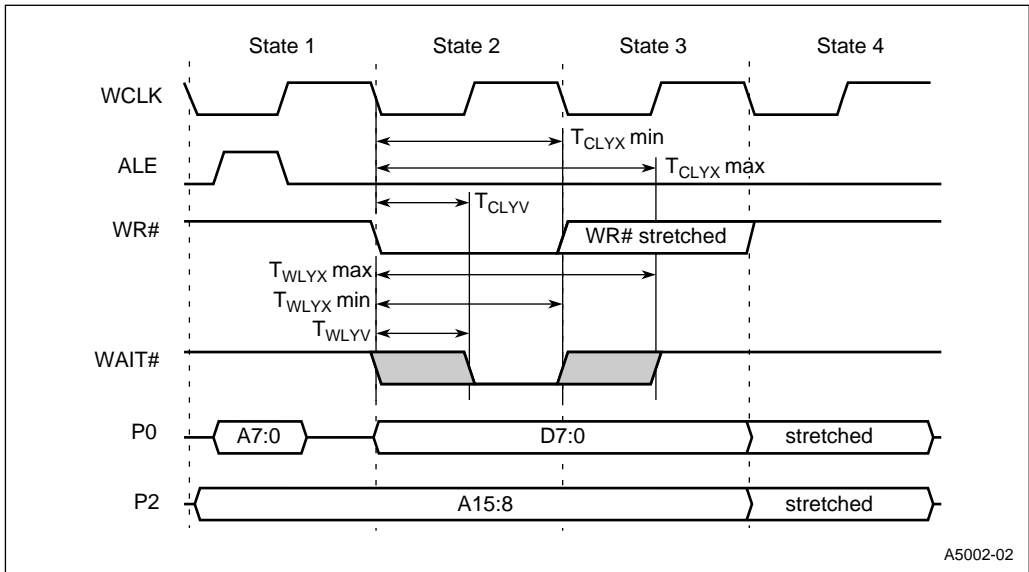


Figure 13. External Data Write (Nonpage Mode, Real-time Wait State)

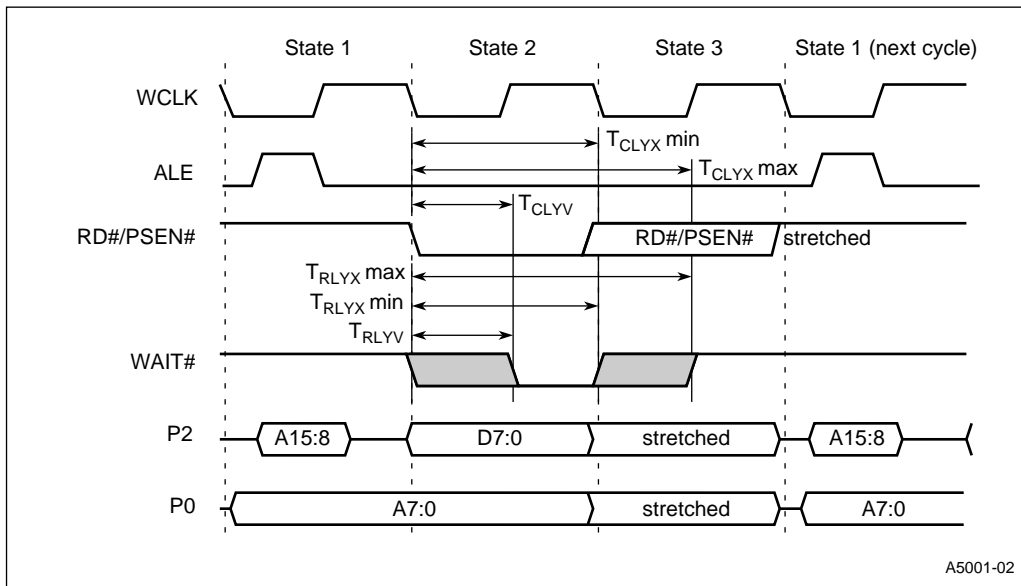


Figure 14. External Data Read (Page Mode, Real-time Wait State)

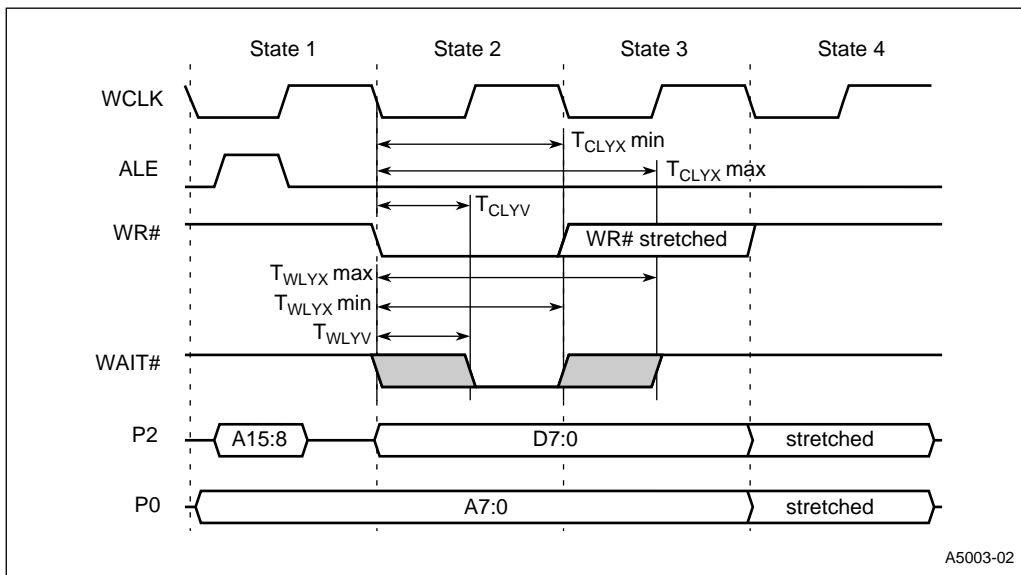


Figure 15. External Data Write (Page Mode, Real-time Wait State)

6.5 AC Characteristics — Synchronous Mode 0

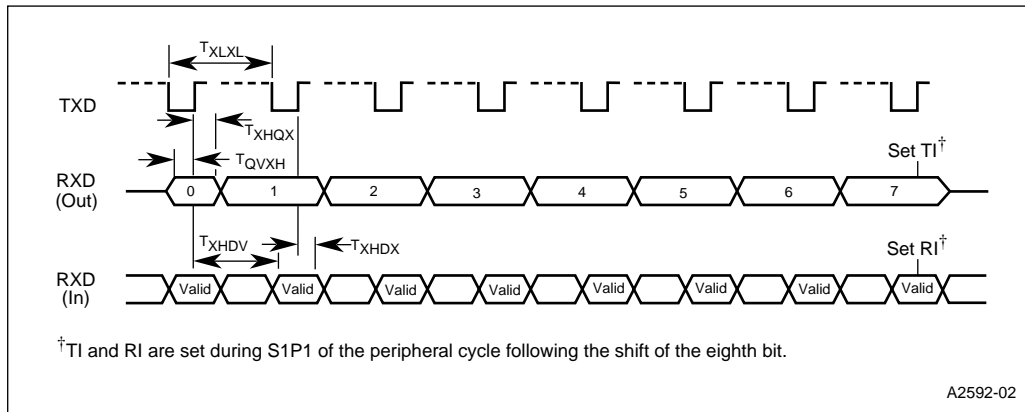


Figure 16. Serial Port Waveform — Synchronous Mode 0

Table 18. Serial Port Timing — Synchronous Mode 0

Symbol	Parameter	Min	Max	Units
T_{XLXL}	Serial Port Clock Cycle Time	$6 T_{OSC}$		ns
T_{QVXH}	Output Data Setup to Clock Rising Edge	$5 T_{OSC} - 133$		ns
T_{XHQX}	Output Data Hold after Clock Rising Edge	$T_{OSC} - 50$		ns
T_{XHDX}	Input Data Hold after Clock Rising Edge	0		ns
T_{XHDV}	Clock Rising Edge to Input Data Valid		$5 T_{OSC} - 133$	ns

6.6 External Clock Drive

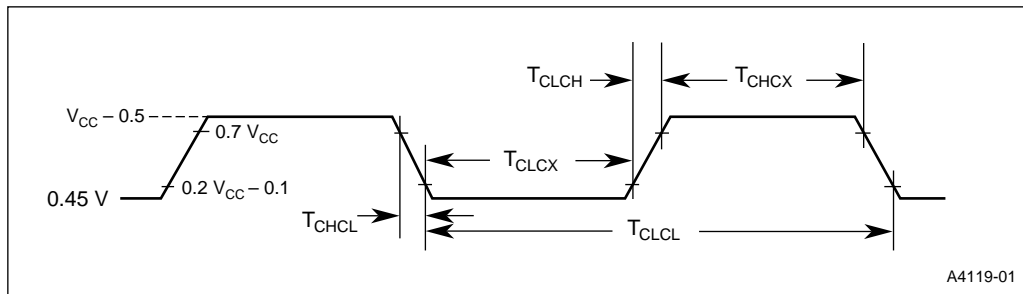


Figure 17. External Clock Drive Waveforms

Table 19. External Clock Drive

Symbol	Parameter	Min	Max	Units
$1/T_{OSC}$	Oscillator Frequency (F_{OSC})	6	12	MHz
T_{CHCX}	High Time	$0.35 T_{OSC}$	$0.65 T_{OSC}$	ns
T_{CLCX}	Low Time	$0.35 T_{OSC}$	$0.65 T_{OSC}$	ns
T_{CLCH}	Rise Time		10	ns
T_{CHCL}	Fall Time		10	ns

6.7 Testing Waveforms

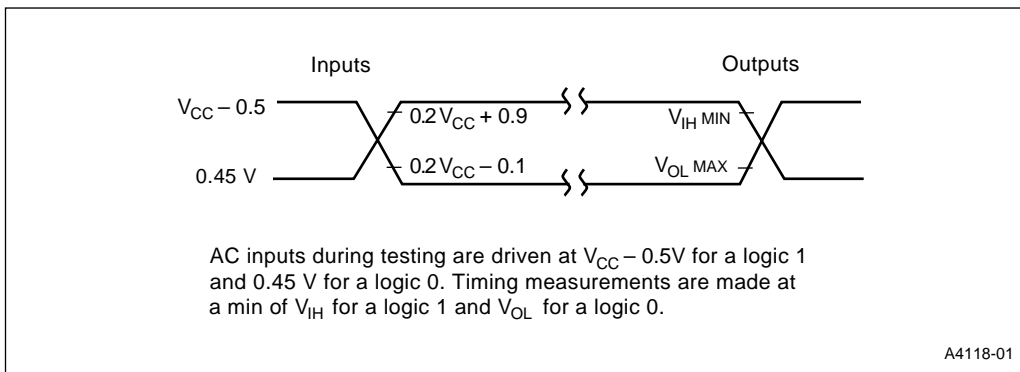


Figure 18. AC Testing Input, Output Waveforms

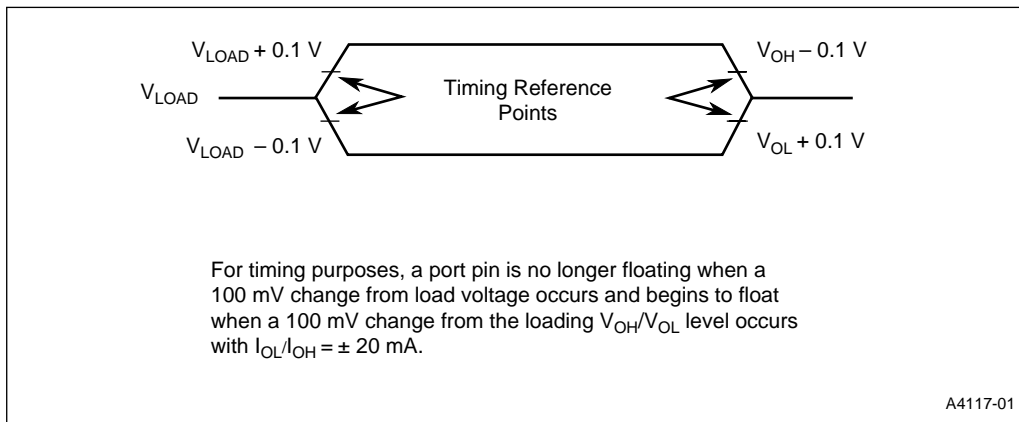


Figure 19. Float Waveforms

7.0 THERMAL CHARACTERISTICS

The microcontroller operates over the commercial temperature range from 0°C to 70°C. All thermal impedance data (see Table 20) is approximate for static air conditions at 1 watt of power dissipation. Values change depending on operating conditions and application requirements. The Intel *Packaging Handbook* (order number 240800) describes Intel's thermal impedance test methodology. The *Components Quality and Reliability Handbook* (order number 210997) provides quality and reliability information.

Table 20. Thermal Characteristics

Package Type	θ_{JA}	θ_{JC}
68-pin PLCC	N/A	N/A

8.0 DESIGN CONSIDERATIONS

8.1 External Bus Timing and Peripheral Timing Affected by PLLSEL2:0 Selection

PLLSEL2 (pin 43), PLLSEL1 (pin 42), and PLLSEL0 (pin 44) determine the 8x930Hx internal CPU operating frequency. See Table 13. Operate the 8x930Hx at full speed by setting PLLSEL2:0 to 110.

This provides an internal clock frequency of 12 MHz ($F_{CLK} = F_{OSC}$) and sets the microcontroller state time equal to one oscillator period (T_{OSC}).

The CPU operating frequency influences the timing of all on-chip peripherals. Refer to the *8X930Ax, 8X930Hx Universal Serial Bus Microcontroller User's Manual* for peripheral timing formulas (refer to Table 1 on page 1 for ordering information).

8.2 Low Clock Mode Frequency

The internal clock F_{CLK} distributed to the CPU and peripherals is 3 MHz. Peripheral timing and external bus accesses (including instruction fetch and data read/write) are affected. Refer to Table 13 for clock rates.

8.3 Setting RXFFRC Bit Clears Only the Oldest Packet in the FIFO

If the receive FIFO is set as a dual packet mode, then it can receive two packets. Setting RXFFRC (in RXCON registers) to indicate FIFO Read Complete will **not** flush the entire FIFO; it will flush only the oldest packet. The read marker will be advanced to the location of the read pointer.

8.4 Series Resistor Requirement for Impedance Matching

Per USB rev. 1.0 specification (page 111, section 7.1.1.1), the impedance of the differential driver must be between 29Ω and 44Ω. To match the cable impedance, a series resistor of 27Ω to 33Ω should be connected to each USB line; i.e., on D_{P0} (pin 55) and on D_{M0} (pin 54). If the USB line is improperly terminated or not matched, then signal fidelity will suffer. This condition can be seen on the oscilloscopes as excessive overshoot and undershoot. This condition can potentially introduce bit errors.

8.5 Pullup Resistor Requirement for 8x930Hx Hub devices

The USB specification requires a pullup resistor to allow the host to identify which devices are low speed and which are full speed in order to communicate at the appropriate data rate. For 8x930Hx hub devices (12 Mbps), use a 1.5KΩ pullup resistor (to 3.0 V – 3.6 V) on the D_{P0} line.

8.6 Powerdown Mode Cannot Be Invoked Before USB Suspend

If the 8x930Hx is put into powerdown mode before receiving a USB suspend signal from the host, then a USB resume will not properly wake up the 8x930Hx from powerdown model.

8.7 Unused Downstream Ports

If the USB downstream ports are not used, it is still required that the two data lines be pulled low externally (similar to a disconnect) so that the inputs are not floating. This will eliminate the possibility of induced system noise. When migrating from the 8x930HD/HE (3 external downstream port device) to the 8x930HF/HG (4 external downstream port device), and the additional USB port is not being used in the application, D_{M5} and D_{P5} will still require 15K external pulldown resistors. Do **not** leave the unused port disconnected.

9.0 8x930Hx ERRATA

The 8x930Hx may contain design defects or errors known as errata. Characterized errata that may cause the 8x930Hx's operational behavior to deviate from published specifications are documented in a specification update (order number 272962). Specification updates can be obtained from your local Intel sales office or from the World Wide Web (www.intel.com).

10.0 DATASHEET REVISION HISTORY

Datasheets are changed as new device information becomes available. Verify with your local Intel sales office that you have the latest version before finalizing a design or ordering devices.

This (-003) revision of the 8x930Hx datasheet replaces earlier product information. The following changes were made in this revision:

1. Added the 8x930HF/HG 4 external downstream port device.

