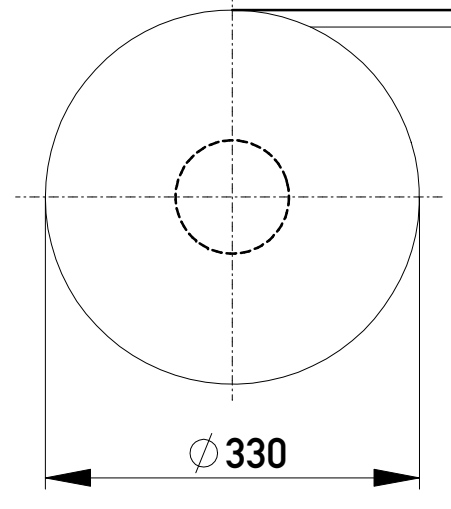
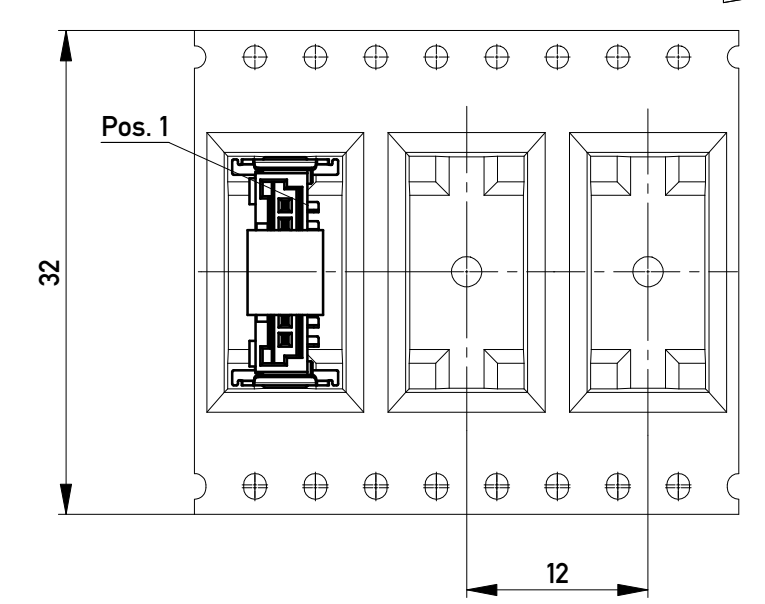


Verpackt im Gurt in Anlehnung an DIN IEC 60286-3
 Tape on Reel Packaging according to DIN IEC 60286-3
 Verpackungseinheit: 650 Stück
 Packaging unit: 650 pcs



Abspulrichtung - Reel off Direction



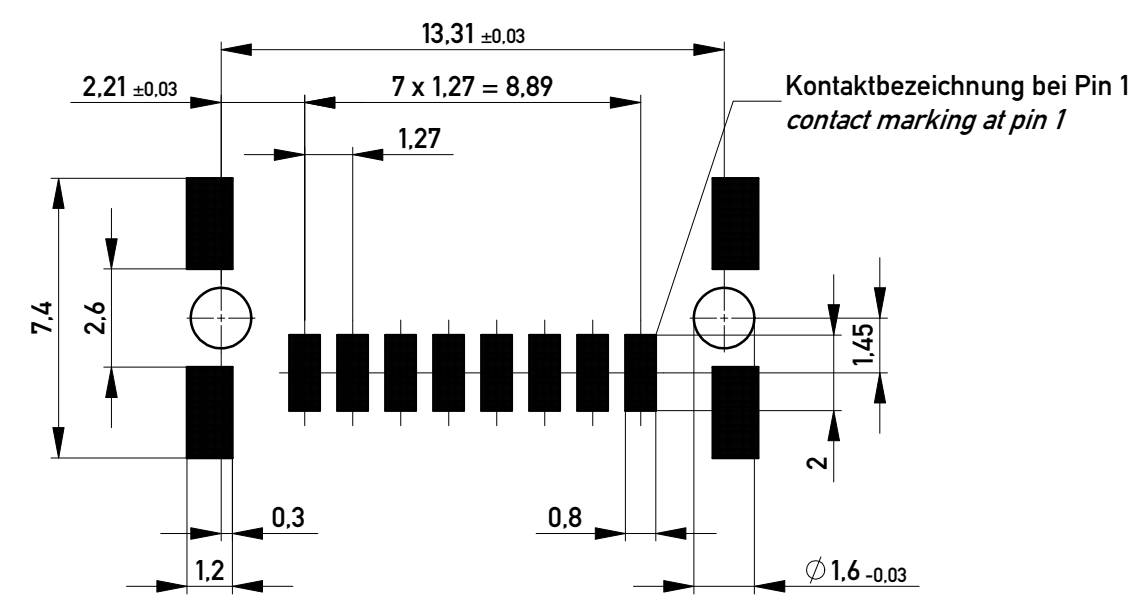
Anforderungsstufe 1
 Performance Level 1

Kontaktbereich vergoldet
 Mating Area gold plating

Anschlussbereich verzinkt 4-6 µm
 Terminal Area 4-6 µm tin plating

Koplanarität der Anschlüsse ≤ 0,1 mm
 Coplanarity Area of Termination ≤ 0,1 mm

Leiterplatten-Layout für SMT
 PCB-Layout for SMT



Für die Anforderung nach PG 9 der LV214
 (Koshiri-Sicherheit)

For the requirement of the LV214 PG 9
 (Koshiri-security)

Scale 5:1

Designation
M 1,27 SRC P, 8-polig KS
M 1,27 SRC P, 8-pin KS

101304480001

Class SRCP

Information:
 All rights reserved.
 Only for Information.
 To ensure that this is the latest version of this drawing, please contact one of the ERNI companies before using.

Tolerances
 All Dimensions in mm
 Subject to modification without prior notice.
 Drawing will not be updated.
 www.ERNI.com

Copyright by ERNI Production GmbH & Co. KG
 Proprietary notice pursuant to ISO 10306 to be observed.

Index

Date 25.02.2016

K
 A2