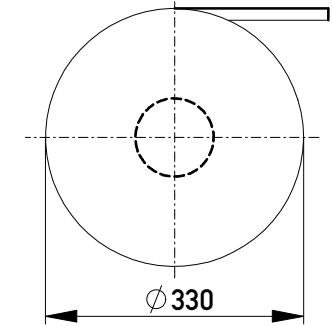
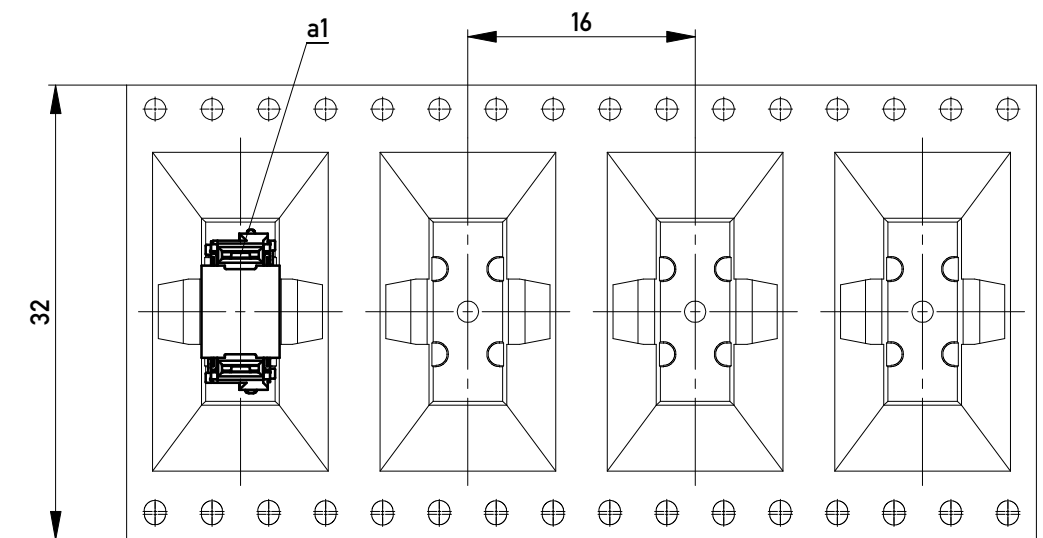


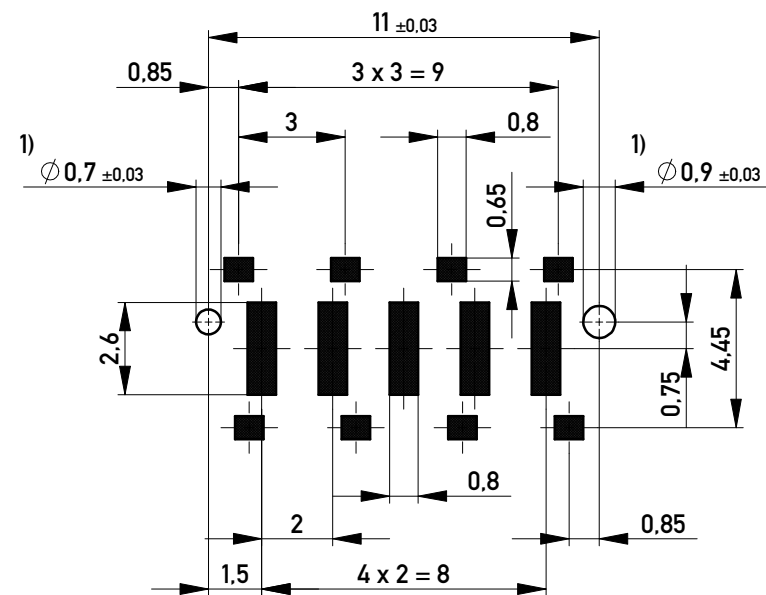
Verpackt in Gurtverpackung
Tape on Reel Packaging
Verpackungseinheit: 300 Stück
Packaging unit: 300 pcs



Abspulrichtung - Reel off Direction



Leiterplatten-Layout Vorschlag / PCB-Layout Proposal



1) Durchmesser des Bohrers / Drill tool

Anforderungsstufe 1
Performance Level 1

Kontaktbereich vergoldet
Mating Area gold plating

Anschlussbereich verzinkt 4-6 μ m
Terminal Area 4-6 μ m tin plating

Koplanarität der Anschlüsse ≤ 0.1 mm
Coplanarity Area of Termination ≤ 0.1 mm

Information: All rights reserved. Only for Information. To ensure that this is the latest version of this drawing, please contact one of the ERNI companies before using.	Tolerances All Dimensions in mm	Scale	5:1
		Designation	Federleiste SMD, Powerm. 8mm Female Con. SMD, Powerm. 8mm
g	13.09.2012	www.ERNI.com	100100630002
Index	Date		K A4
		Class	MSPEED

Copyright by ERNI GmbH
Proprietary notice pursuant to ISO 16016 to be observed.