

**KEY FEATURES**

- Power Module for PCB Mountable
- High Efficiency Up To 87%
- 2:1 Input Rang
- Six-sided Continuous Shield
- Standard Package
- Screw Terminal For Optional
- 3-Years Product Warranty


**ELECTRICAL SPECIFICATIONS**

Model No.	SK30-48-1.8S	SK30-48-2.5S	SK30-48-3.3S	SK30-48-5S	SK30-48-12S	SK30-48-15S	SK30-48-24S
Max. Output Wattage (W)	10.8W	15W	19.8W	30W	30W	30W	30W
Input Voltage (V.DC.)	48V (36-75V)	48V (36-75V)	48V (36-75V)	48V (36-75V)	48V (36-75V)	48V (36-75V)	48V (36-75V)
Output Voltage (V.DC.)	1.8V / 6000mA	2.5V / 6000mA	3.3V / 6000mA	5V / 6000mA	12V / 2500mA	15V / 2000mA	24V / 1250mA
Efficiency (%)	83%	83%	83%	87%	83%	83%	83%

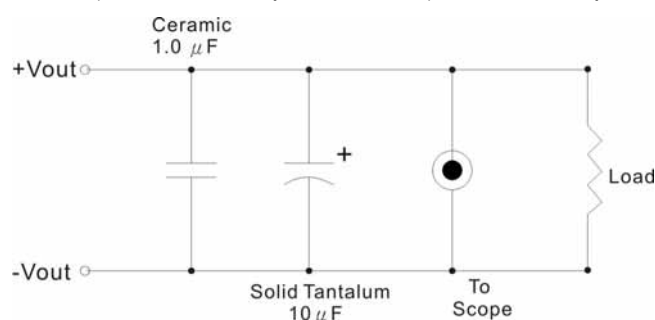
Model No. (Single Output)	SK30-48-1.8S	SK30-48-2.5S	SK30-48-3.3S	SK30-48-5S	SK30-48-12S	SK30-48-15S	SK30-48-24S	
Max Output Wattage (W)	10.8W	15W	19.8W	30W	30W	30W	30W	
Input	Input Filter $\pi$ type							
Output	Voltage (V.DC.)	1.8	2.5	3.3	5	12	15	24
	Voltage Accuracy	$\pm 2\%$						
	Current (mA) max	6000	600	6000	6000	2500	2000	1250
	Line Regulation (LL-HL) (typ.)	$\pm 0.5\%$						
	Load Regulation (10-100%) (typ.)	$\pm 1\%$						
	Ripple (Vp-p)	50 mV max.			$\pm 1\%$ max.			
	Noise (Vp-p)	100 mV max.			$\pm 1\%$ max.			
	Trim	$\pm 10\%$						
Protection	Switching Frequency	400KHz						
	Over Power Protection	Works over 120% of rating and recovers automatically.						
	Over Voltage Protection	Zener diode clamp						
Isolation	Short Circuit Protection	Hiccup mode, auto-recovery						
	Voltage	1600 VDC.						
	Resistance	$10^8$ ohms						
Environment	Capacitance	1000 pF						
	Operating Temperature	$-25^{\circ}\text{C} \dots +70^{\circ}\text{C}$ (with derating)						
	Storage Temperature	$-55^{\circ}\text{C} \dots +105^{\circ}\text{C}$						
	Case Temperature	$+100^{\circ}\text{C}$ max.						
	Temperature Coefficient	$\pm 0.02\%$ Per $^{\circ}\text{C}$						
	Humidity	95% RH						
	MTBF	$>550,000$ h @ $25^{\circ}\text{C}$ (MIL-HDBK-217F)						
Physical	Dimension (L x W x H)	2.0 x 1.6 x 0.47 Inches ( 50.8 x 40.6 x 11.9 mm ) Tolerance $\pm 0.5$ mm						
	Case Material	Five-side shielded Aluminum with Non-Conductive base, Black Anodize						
	Weight	58 g						
	Cooling Method	Free-air convection						

1. All specifications valid at normal input voltage, full load and  $+25^{\circ}\text{C}$  after warm-up time unless otherwise stated.

2. Ripple & Noise are measured at 20MHz of bandwidth with 0.1 $\mu\text{F}$  & 47 $\mu\text{F}$  parallel capacitor.

**OUTPUT NOISE**

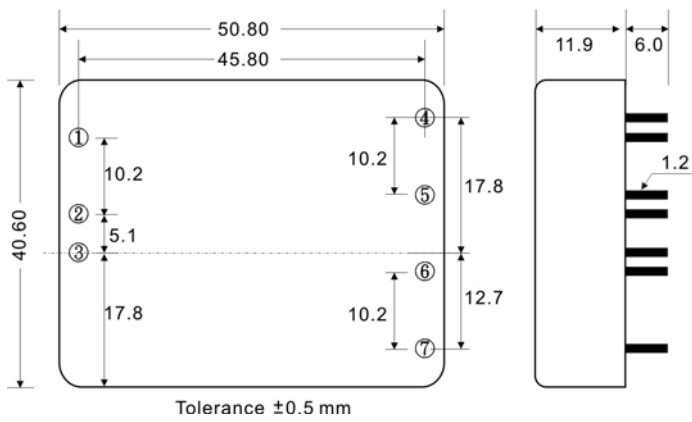
The output noise is measured with 10 $\mu\text{F}$  tantalum capacitor and 1 $\mu\text{F}$  ceramic capacitor across output.



**SK30 SERIES**

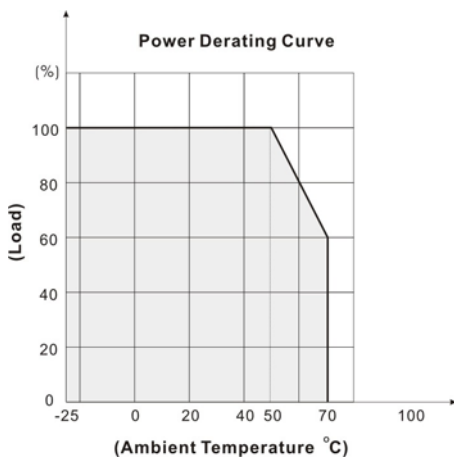
**30 Watts**

**MECHANICAL DIMENSION ( Top View )**

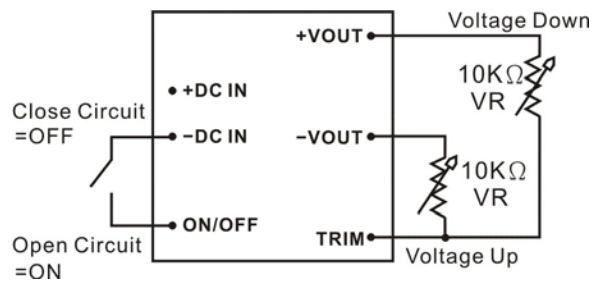


PIN#	Single
1	CTRL
2	-DC IN
3	+DC IN
4	TRIM
5	-DC OUT
6	+DC OUT
7	NO PIN

**DERATING**

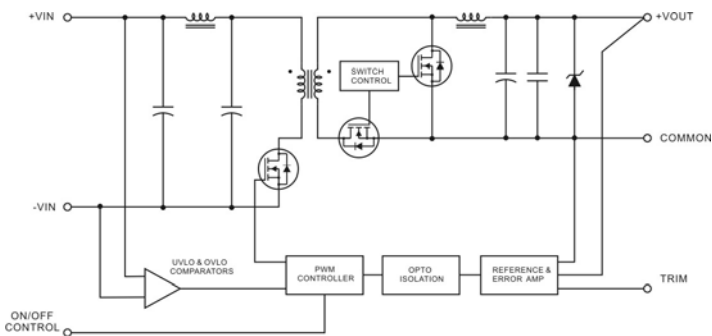


**REMOTE ON/OFF CONTROL & TRIM**

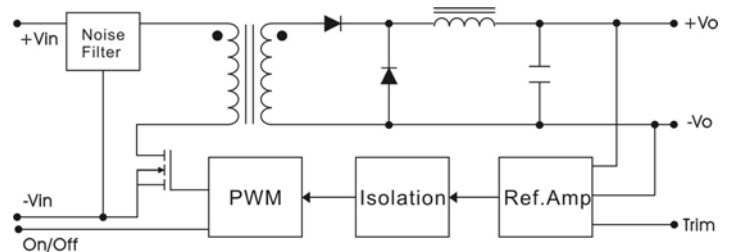


**BLOCK DIAGRAM**

Output Voltage (V.DC) : 1.8V, 2.5V, 3.3V, 5V

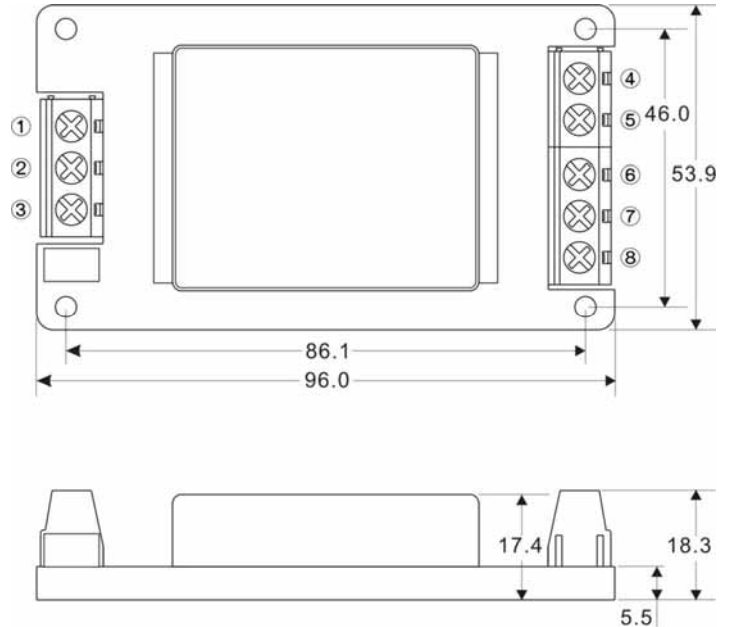


Output Voltage (V.DC) : 12V, 15V, 24V



**SK30 SERIES**
**30 Watts**
**SCREW TERMINAL**
**SK30-A2**


PIN#	Single
1	CTRL
2	-DC IN
3	+DC IN
4.	TRIM
5	-DC OUT
6	NO CONNECT
7	+DC OUT
8	NO CONNECT


**SK30-A5**


PIN#	Single
1	CTRL
2	-DC IN
3	+DC IN
4.	TRIM
5	-DC OUT
6	NO CONNECT
7	+DC OUT
8	NO CONNECT

