



## SMC Plug Connector Clamp/Solder Attachment For RG174, RG316, RG188

### TECHNICAL DATA SHEET

PE4201

#### SMC Plug Connector Clamp/Solder Attachment For RG174, RG316, RG188

##### Configuration

|  |                     |
|--|---------------------|
| Connector                                | SMC Plug            |
| Connector Specification                  | MIL-STD-348A        |
| Connector Interface Type                 | RG174, RG316, RG188 |
| Cable Attachment Method (Shield/Contact) | Clamp/Solder        |
| Body Style                               | Straight            |

##### Electrical Specifications

|                 |    |
|-----------------|----|
| Impedance, Ohms | 50 |
|-----------------|----|

##### Mechanical Specifications

###### Size

|                     |               |
|---------------------|---------------|
| Length, in [mm]     | 0.413 [10.49] |
| Width/Dia., in [mm] | 0.25 [6]      |
| Weight, lbs [g]     | 0.006 [2.72]  |

###### Connector

|                                    |                        |
|------------------------------------|------------------------|
| Type                               | SMC Plug               |
| Contact Material and Plating       | Beryllium Copper, Gold |
| Contact Plating Specification      | 30µ in. minimum        |
| Coupling Nut Material and Plating  | Brass, Nickel          |
| Coupling Nut Plating Specification | 100µ in. minimum       |
| Body Material and Plating          | Brass, Nickel          |
| Body Plating Specification         | 100µ in. minimum       |
| Dielectric Type                    | Teflon                 |

##### Compliance Certifications (visit [www.Pasternack.com](http://www.Pasternack.com) for current document)

|                |     |
|----------------|-----|
| RoHS Compliant | Yes |
|----------------|-----|

##### Plotted and Other Data

Notes: Values at 25 °C, sea level

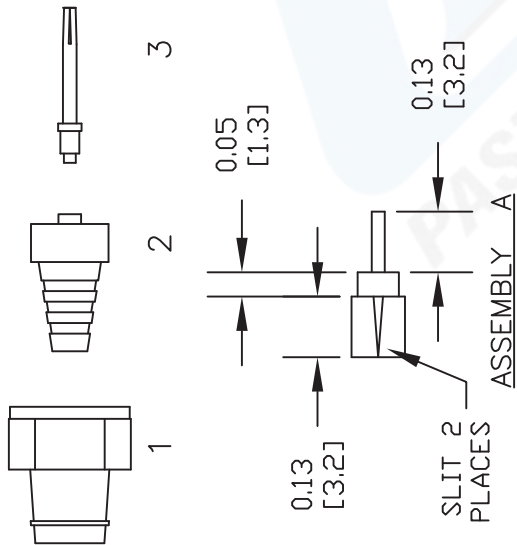
URL: <http://www.pasternack.com/smc-plug-standard-rg174-rg316-rg188-connector-pe4201-p.aspx>

SMC Plug Connector Clamp/Solder Attachment For RG174, RG316, RG188 from Pasternack Enterprises has same day shipment for domestic and International orders. We maintain 99% availability of the industry's broadest selection of RF, microwave and fiber optic products.

The information contained in this document is accurate to the best of our knowledge and representative of the part described herein. It may be necessary to make modifications to the part and/or the documentation of the part, in order to implement improvements. Pasternack reserves the right to make such changes as required. Unless otherwise stated, all specifications are nominal.

# PE4201 CAD Drawing

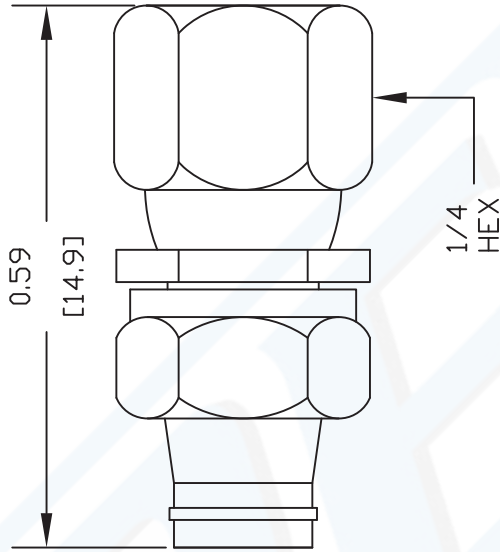
SMC Plug Connector Clamp/Solder Attachment For RG174, RG316, RG188



## STRIPPING DIMENSIONS

## ASSEMBLY PROCEDURES

1. SLIDE CLAMP NUT (1) OVER CABLE. STRIP CABLE AS SHOWN IN ASSEMBLY A. TIN CENTER CONDUCTOR. SLIT JACKET IN 2 PLACES & REMOVE ONE SIDE OF JACKET TO END OF SLIT AS SHOWN IN ASSEMBLY B. DO NOT NICK BRAID WHEN CUTTING ONE SIDE OF JACKET.
2. INSERT WEDGE ASSEMBLY (2) BETWEEN BRAID & DIELECTRIC. CENTER CONDUCTOR MUST ENTER HOLE IN INSULATOR.
3. INSERT CONTACT (3) IN INSULATOR & SOLDER CONTACT TO CENTER CONDUCTOR. INSERT CABLE ASSEMBLY INTO BODY & TIGHTEN.



DWG TITLE

**PE4201**

- NOTES:
1. UNLESS OTHERWISE SPECIFIED ALL DIMENSIONS ARE NOMINAL.
  2. ALL SPECIFICATIONS ARE SUBJECT TO CHANGE WITHOUT NOTICE AT ANY TIME.
  3. DIMENSIONS ARE IN INCHES [mm].
  4. FITS MIL-C-17 AND EQUIVALENT CABLES.

REV. -

FSCM NO. 53919

CAD FILE 042309

SCALE N/A

SIZE A

147

**PE PASTERNAK®**

Pasternack Enterprises, Inc.

P.O. Box 16759 | Irvine | CA | 92623

Phone: (949) 261-1920 | Fax: (949) 261-7451

Website: [www.pasternack.com](http://www.pasternack.com) | E-Mail: [sales@pasternack.com](mailto:sales@pasternack.com)