

SERIES 39
SPST and SPDT, 1/4 Amp

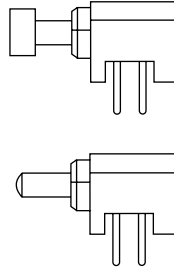
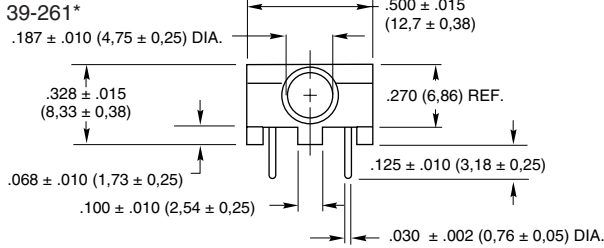
FEATURES

- Fully Protected During Flux Cleaning Operations



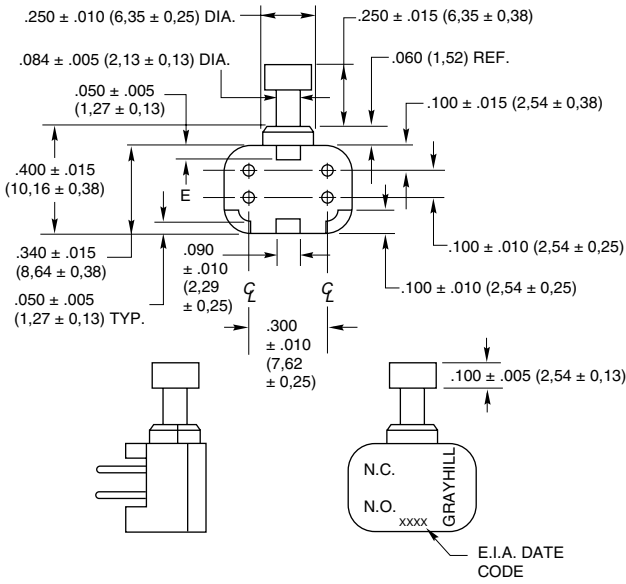
DIMENSIONS In Inches (and millimeters)

SPDT-PC Mount
Large Button Style



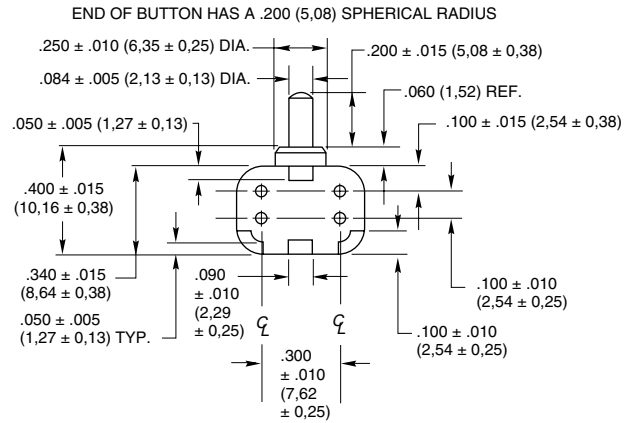
Rating at 28 Vdc Resistive	Rating at 115 Vac Resistive	Rating at 220 Vac Resistive	Operations at Rated Load	Partial Part Number
150 mA	1/4 Amp	1/8 Amp	500,000	39-251* 39-261*

Action	Total Travel	Actuating Force (oz.)
Momentary	.090 + .010 / - .015 (2,29 + 0,25 / - 0,38)	10 ± 3 oz.



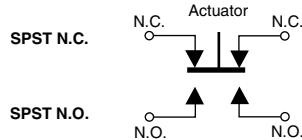
Small Button Style

39-251*

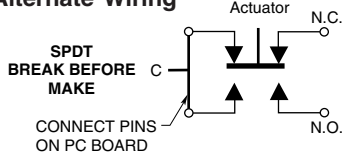


CIRCUITRY

2 Circuits Per Switch



Alternate Wiring



SPECIFICATIONS

- Rating Criteria**
- Contact Resistance:** 25 milliohms maximum on a new switch
- Voltage Breakdown:** 1,000 Vac between mutually insulated parts
- Insulation Resistance:** 1,000 megohms minimum
- Operating Temperature:** -40°C to +125°C

Materials and Finishes

- Button:** Nylon
- Base and Cover:** Polyester, red in color
- Shorting Bar:** Phosphor bronze, gold-plated over nickel
- Terminals:** Brass, gold-plated over nickel
- Spring:** Tinned music wire
- O-Ring:** Fluorosilicone

ORDERING INFORMATION

*Complete Part Number	Description
39-251 RED	Small Red Button, SPDT
39-251 BLK	Small Black Button, SPDT
39-261 RED	Large Red Button, SPDT
39-261 BLK	Large Black Button, SPDT

Available from your local Grayhill Distributor. For prices and discounts, contact a local Sales Office, an authorized local Distributor or Grayhill.

Pushbutton Switches