

**isc N-Channel MOSFET Transistor**

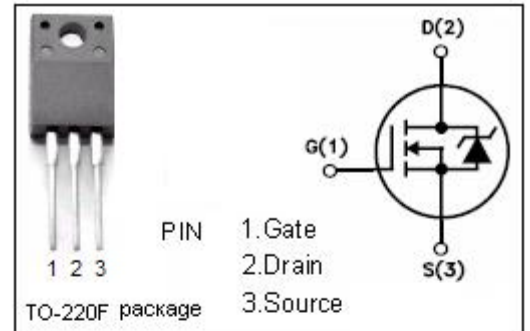
**2SK1603**

**DESCRIPTION**

- Drain Current  $-I_D = 2.5A @ T_C = 25^\circ C$
- Drain Source Voltage-  
:  $V_{DSS} = 900V(\text{Min})$

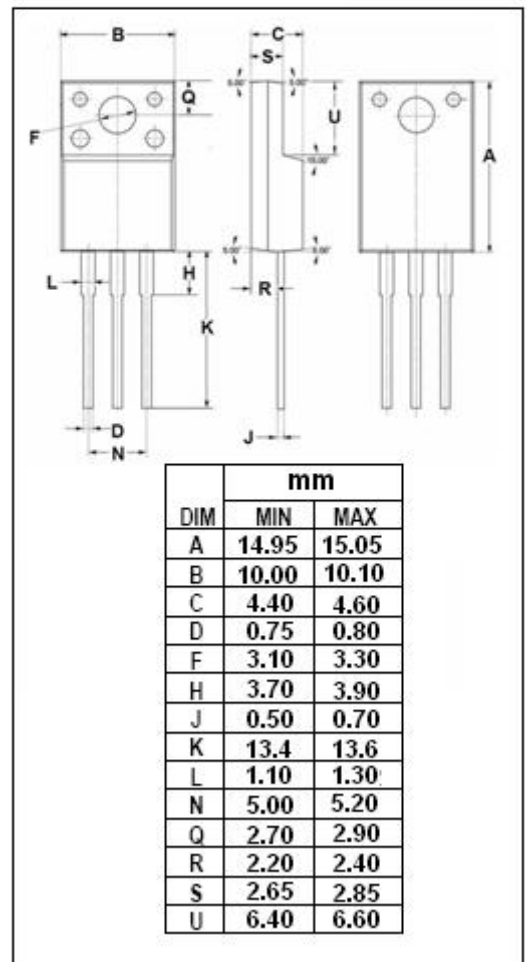
**APPLICATIONS**

- Designed for high voltage, high speed power switching applications such as switching regulators, converters, solenoid and relay drivers.



**ABSOLUTE MAXIMUM RATINGS( $T_a = 25^\circ C$ )**

SYMBOL	PARAMETER	VALUE	UNIT
$V_{DSS}$	Drain-Source Voltage ( $V_{GS} = 0$ )	900	V
$V_{GS}$	Gate-Source Voltage	$\pm 30$	V
$I_D$	Drain Current-continuous@ $T_C = 25^\circ C$	2.5	A
$P_{tot}$	Total Dissipation@ $T_C = 25^\circ C$	40	W
$T_j$	Max. Operating Junction Temperature	150	$^\circ C$
$T_{stg}$	Storage Temperature Range	-55~150	$^\circ C$



**THERMAL CHARACTERISTICS**

SYMBOL	PARAMETER	MAX	UNIT
$R_{th j-c}$	Thermal Resistance, Junction to Case	3.125	$^\circ C/W$
$R_{th j-a}$	Thermal Resistance, Junction to Ambient	62.5	$^\circ C/W$

**isc N-Channel Mosfet Transistor****2SK1603****• ELECTRICAL CHARACTERISTICS (T<sub>C</sub>=25°C)**

SYMBOL	PARAMETER	CONDITIONS	MIN	TYP	MAX	UNIT
V <sub>(BR)DSS</sub>	Drain-Source Breakdown Voltage	V <sub>GS</sub> =0; I <sub>D</sub> = 10mA	900			V
V <sub>GS(th)</sub>	Gate Threshold Voltage	V <sub>DS</sub> =10 V <sub>GS</sub> ; I <sub>D</sub> =1mA	1.5		3.5	V
R <sub>DS(on)</sub>	Drain-Source On-stage Resistance	V <sub>GS</sub> =10V; I <sub>D</sub> =1.5A			6.4	Ω
I <sub>GSS</sub>	Gate Source Leakage Current	V <sub>GS</sub> = ±25V; V <sub>DS</sub> = 0			± 100	nA
I <sub>DSS</sub>	Zero Gate Voltage Drain Current	V <sub>DS</sub> =720V; V <sub>GS</sub> = 0			100	uA
V <sub>SD</sub>	Diode Forward Voltage	I <sub>F</sub> =2.5A; V <sub>GS</sub> =0			2.0	V
t <sub>r</sub>	Rise time	V <sub>GS</sub> =10V; I <sub>D</sub> =1.5A; R <sub>L</sub> =267 Ω		25	50	ns
t <sub>on</sub>	Turn-on time			40	60	ns
t <sub>f</sub>	Fall time			40	80	ns
t <sub>off</sub>	Turn-off time			150	300	ns