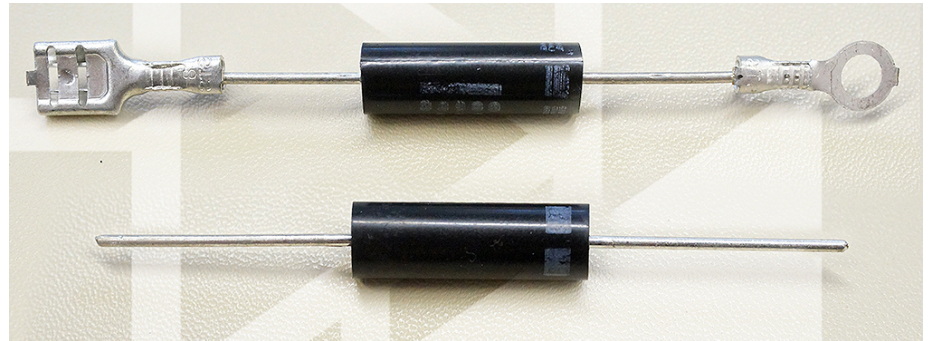




FEATURES

- Avalanche Breakdown Protection
- Low Forward Voltage Drop
- Typical IR less than 0.1 μ A
- High Overload Surge Capacity



To order with quick disconnect terminals, use the **partnum-TERM**

ABSOLUTE MAXIMUM RATINGS

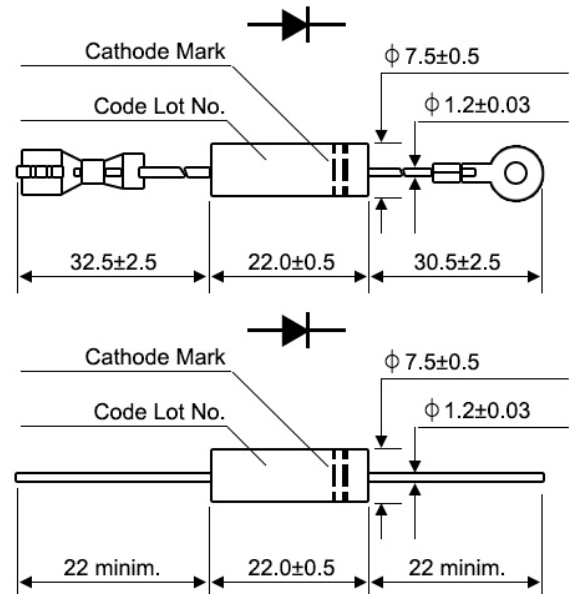
V_{RRM}	Repeating Peak Reverse Voltage (kV):	15
T_{JMAX}	Max. junction temp.(°C):	120
T_{STG}	Storage temp.(°C):	-40 to +120
I_O	Avg. Forward Current (mA):	550
I_{FSM}	Forward Surge Current (A):	44

ELECTRICAL CHARACTERISTICS

I_{R1}	Normal temp. Reverse Current (μ A):	5.0 max
I_{R2}	High temp. Reverse Current (μ A):	50 max
V_F	Forward Voltage (V):	12 max

TEST CONDITIONS

High temp. Reverse Voltage @ 1000 hrs.:	$V_{RM}=V_{RRM}$, $f=50\text{Hz}$, $T_{AMB}=100^\circ\text{C}$ Half sine voltage with $f=50\text{Hz}$ applied, $T_{AMB}=100^\circ\text{C}$
High temp. storage @ 1000 Hrs.:	$T_{AMB}=130\pm 2^\circ\text{C}$
Soldering Resistance Heat Test:	Solder trough temp.: $350\pm 10^\circ\text{C}$, Dip Time: $3.5s \pm 0.5s$
High pressure smoke test @ 10 hrs.:	120°C , $2 \times 10^5\text{pa}$
Insulation Resistance Test (1000M Ω):	Between the center of the body and terminal (See Fig. 1)
Insulation Strength Test @ 10KV:	1 min. between center of the body and terminal. (Fig.1)
Lead bend test:	Force 10 N to the lead, bent it to pos. and neg. 90°
Lead pull test:	Force 70 N of axial to the lead for 1 min.



Insulation resistance test condition: Measure between A and B by using a DC 500V Insulation resistance tester

Insulation strength test condition: Apply half sine wave voltage with 10kV wave height between A and B in insulation liquid

