

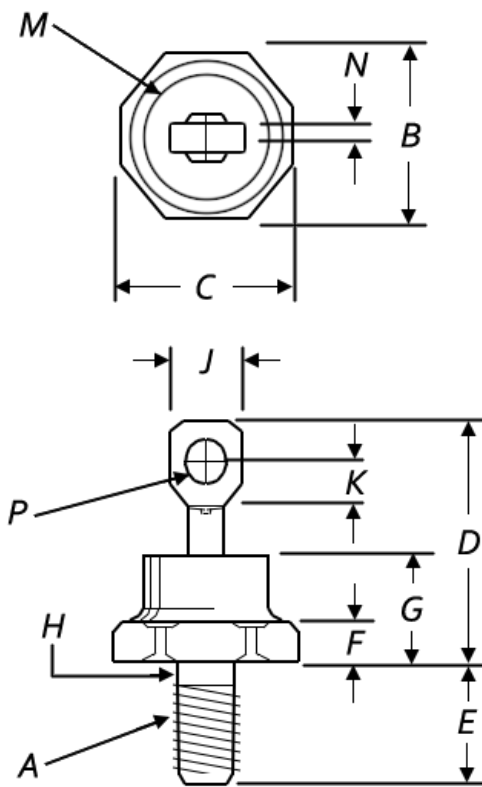
Cat.: Diodes

Class: Silicon Rectifiers

Type: General-Purpose

Description:

This diode is enclosed in a hermetically sealed inner metallic case surrounded by a molded external case. This provides a high degree of ruggedness and durability.



Dim.	Inches		Millimeters		Notes
	Minimum	Maximum	Minimum	Maximum	
A	---	---	---	---	1/4-28
B	0.867	0.687	16.950	17.440	
C	---	0.793	---	20.140	
D	---	1.000	---	25.400	
E	0.422	0.453	10.720	11.500	
F	0.115	0.200	2.920	5.080	
G	---	0.450	---	11.430	
H	0.220	0.249	5.590	6.320	
J	0.250	0.375	6.350	9.520	
K	0.156	---	3.970		
M	---	0.567	---	16.940	DiA.
N	---	0.080	---	2.030	
P	0.140	0.175	3.580	4.440	DiA.

Notes:

1. Full threads within 2-1/2 threads
2. Standard Polarity: Stud is Cathode
Reverse Polarity: Stud is Anode

Military/High-Rel	N
I(O) Max.(A) Output Current	35
@Temp. (°C) (Test Condition)	140#
V(RRM)(V) Rep.Pk.Rev. Voltage	100
I(FSM) Max.(A) Pk.Fwd.Sur.Cur.	500
V(FM) Max.(V) Forward Voltage	1.7
@I(FM) (A) (Test Condition)	35
@Temp. (°C) (Test Condition)	140#
I(RM) Max.(A) Reverse Current	1.0m
@V(R) (V)(Test Condition)	100
I(RM) Max.(A) Pk. Rev. Current	10m
@Temp. (°C) (Test Condition)	140#
Maximum Operating Temp. (°C)	190#
Package Style	DO-203AB
Mounting Style	T

