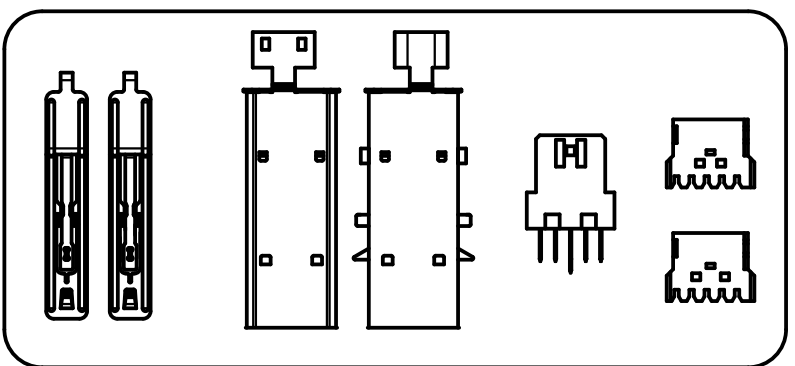
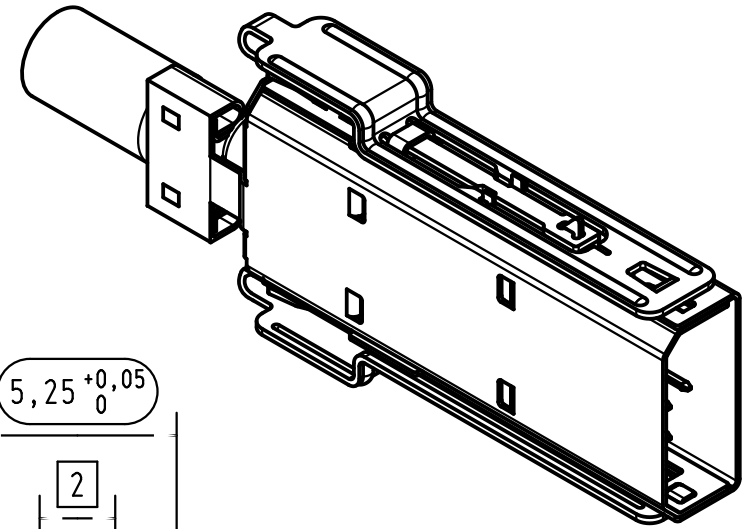
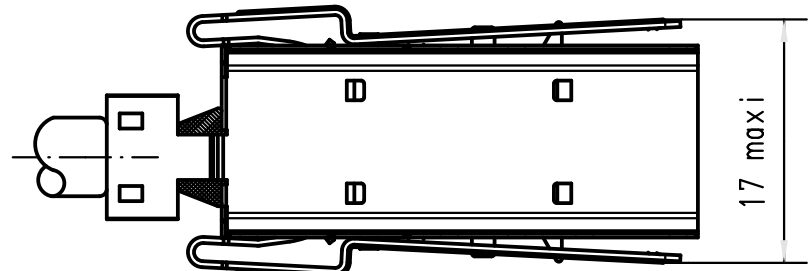


PACKAGING PIECE PARTS



AFTER LATCHES OPENING



$5,25^{+0,05}_0$

2

e  
d  
c  
b  
a

$0,4^{-0,04}$

$4 \times 2 = (8)$

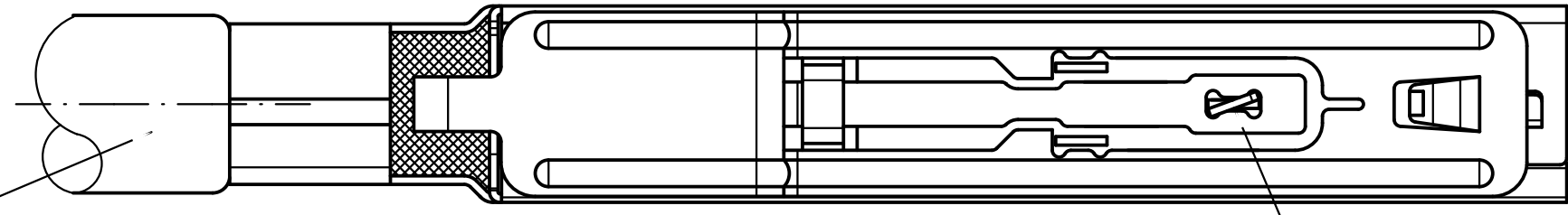
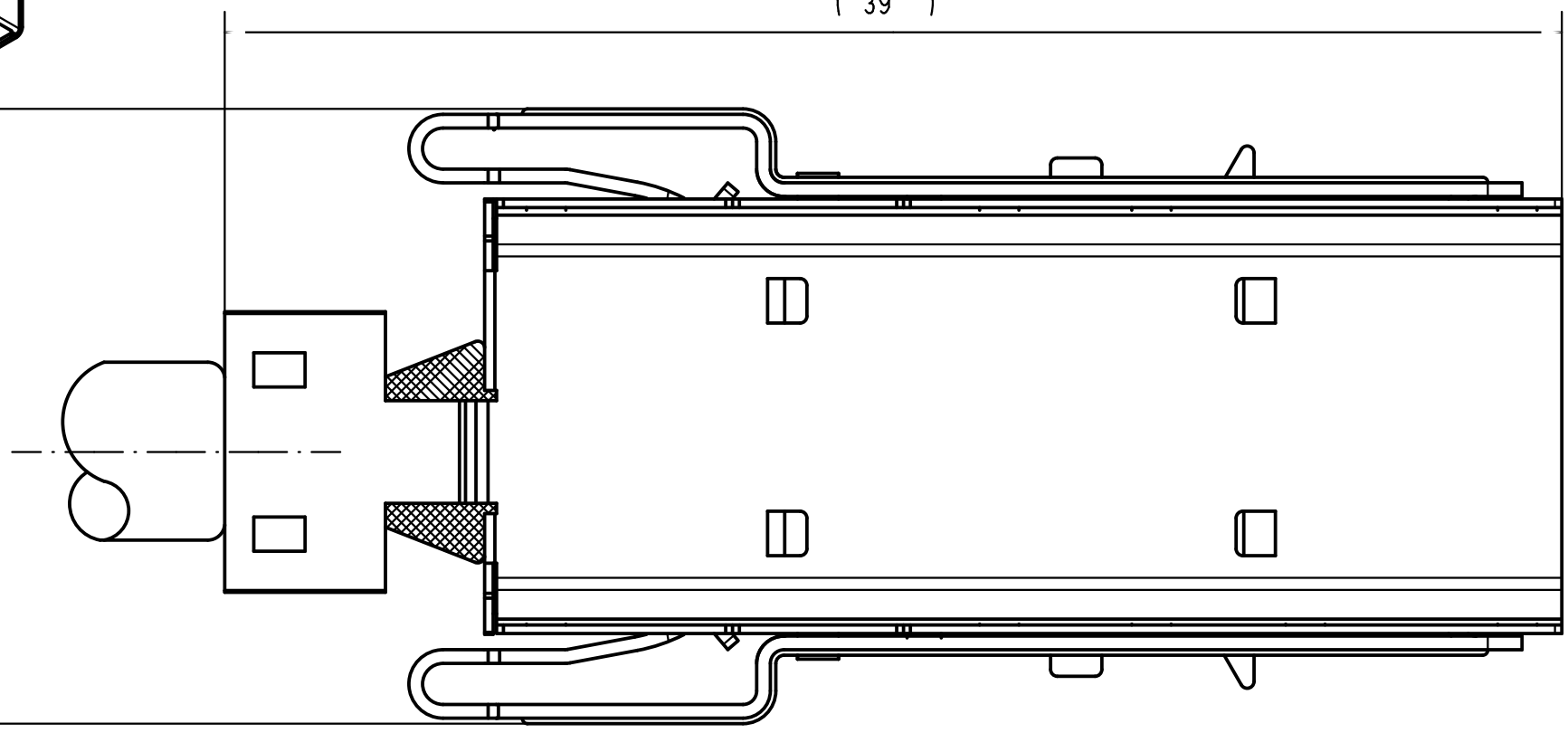
$11,55^{+0,15}_0$

( 18 )

$0,5^{-0,1}$

first mate-last break pin(2c)

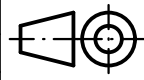

1 2



recommended cable  
 outer insulation diameter  $5.33 \pm 0.25$ mm  
 wire insulation diameter  
 0.50 to 0.65mm for 1c and 2c contacts  
 0.65 to 0.80mm for others  
 wire conductor AWG28/7-AWG30/7-AWG30/1

twisting (from 20° to 45°) of front stop over central blade is recommended.

Alle Rechte vorbehalten/ All rights reserved

				Det.	Name	 har.link® DS-Link cable free male IDC connector with two locking levers	All Dim. in mm Orig. Size DIN A 3	Moßstab/ Scale 5:1
			Detail.	05-JAN-01	JB			
EC01859	07-MAY-10	JB	Insp.					Blatt/ Page 1/1
33256	08-NOV-05	JB	Stand.					
27968	16-JAN-01	JB						
27966	05-JAN-01	JB						
Mod.	Det.	Name	HARTING EURL F-95972 Paris				TB 27 11 161 8001	
							Sub.	TB 27 11 161 8001.02