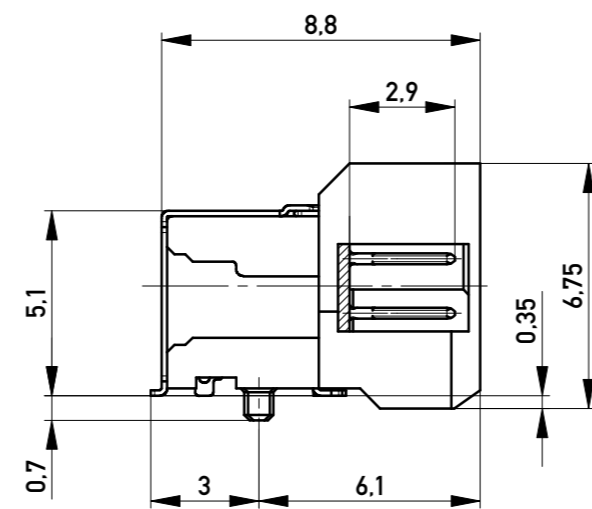
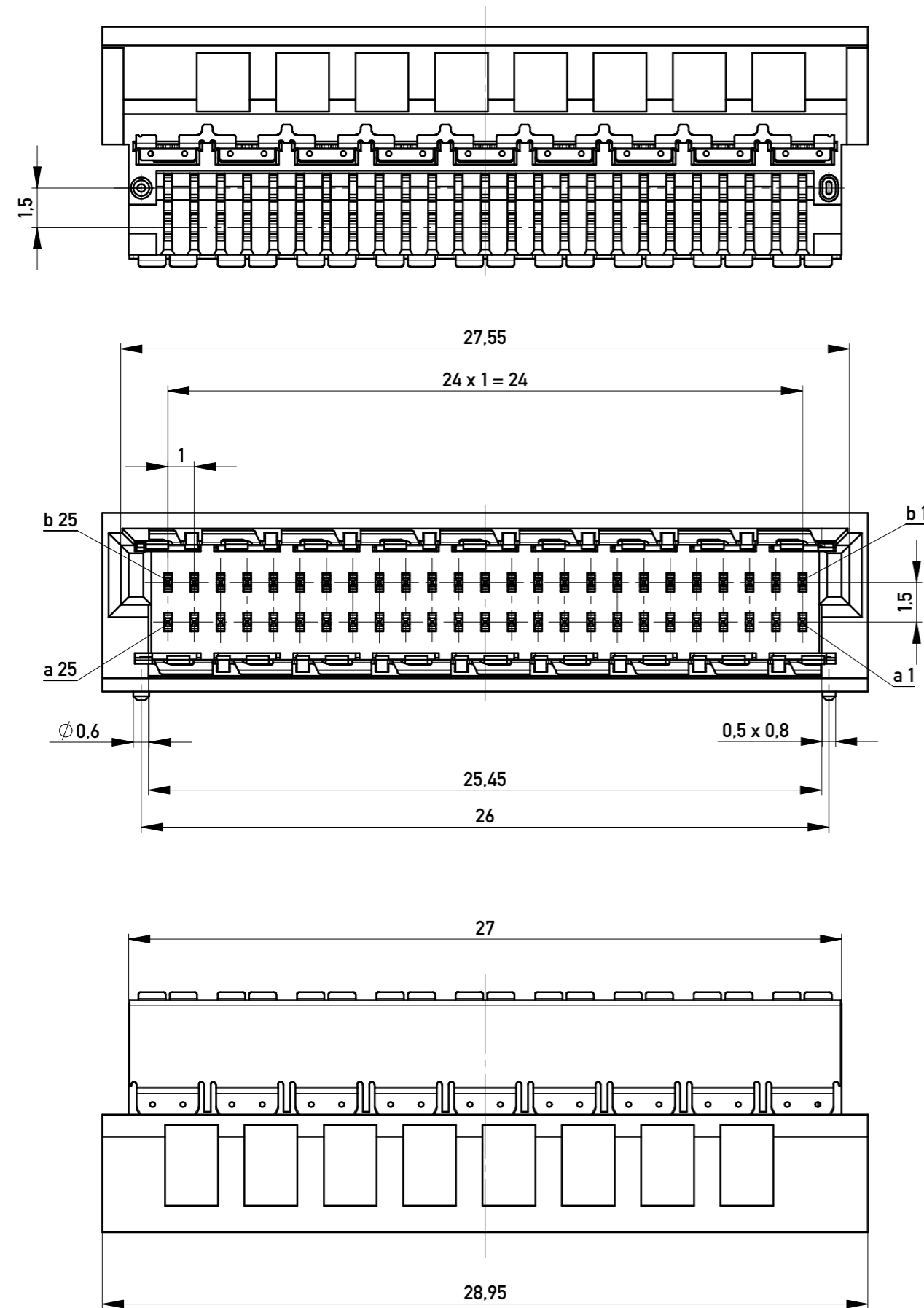
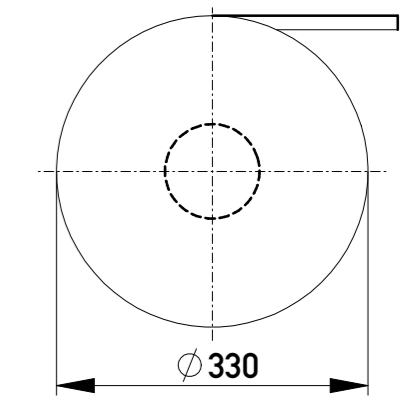
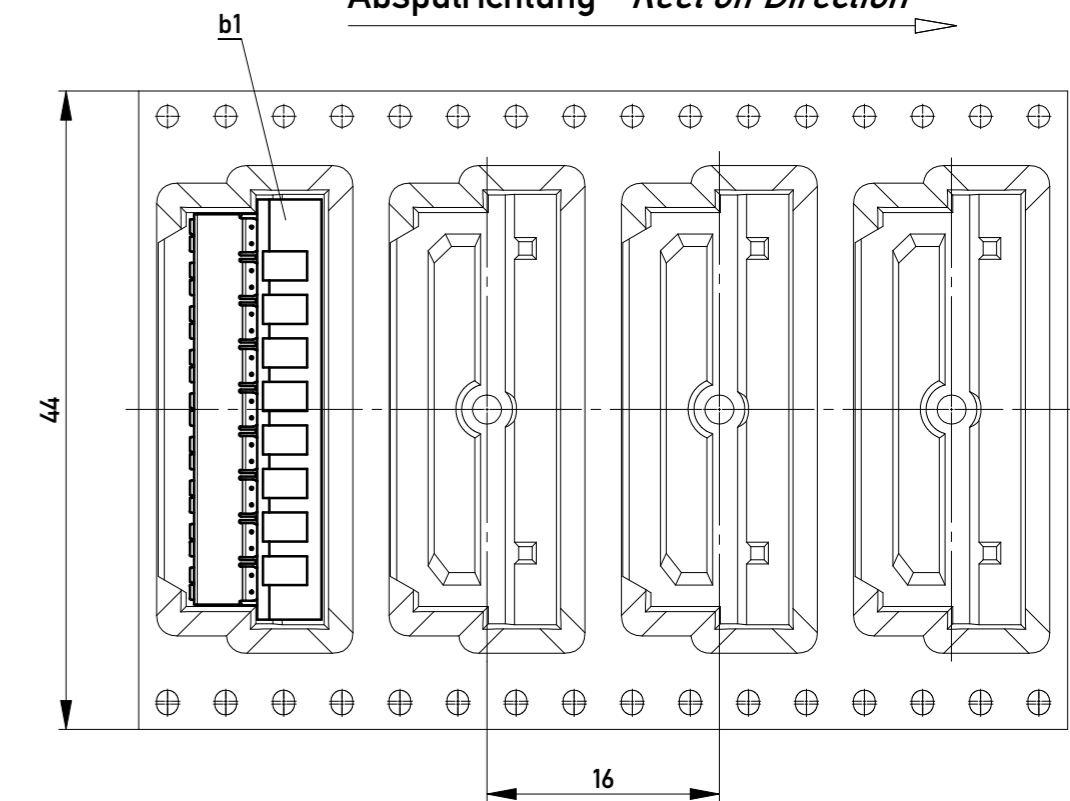


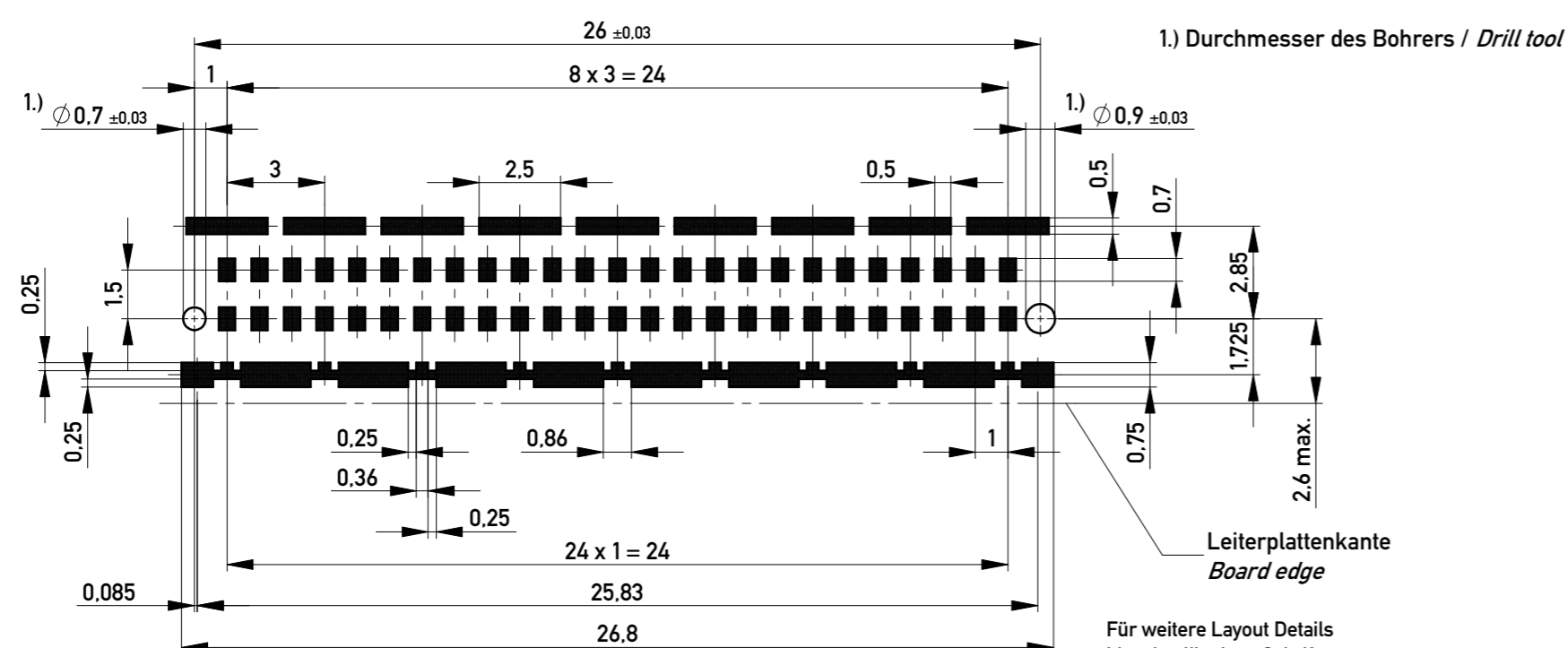
Verpackt in Gurtverpackung
 Tape on Reel Packaging
 Verpackungseinheit: 400 Stück
 Packaging unit: 400 pcs



Abspulrichtung - Reel off Direction



Leiterplatten-Layout Vorschlag / PCB-layout proposal



1.) Durchmesser des Bohrers / Drill tool

Leiterplattenkante
 Board edge

Für weitere Layout Details
 bitte Applikations Schrift
 MicroSpeed beachten.
 For further layout details
 please consider
 MicroSpeed application note.

Anforderungsstufe 1
 Performance Level 1

Kontaktbereich vergoldet
 Mating Area gold plating

Anschlussbereich verzinkt 4-6 µm
 Terminal Area 4-6 µm tin plating

Koplanarität der Anschlüsse ≤ 0.1 mm
 Coplanarity Area of Termination ≤ 0.1 mm

Information:		Tolerances	Scale	5:1
All rights reserved. Only for Information. To ensure that this is the latest version of this drawing, please contact one of the ERNI companies before using.		All Dimensions in mm		
Subject to modification without prior notice. Drawing will not be updated.		Designation		
www.ERNI.com		Messerl. 90° 50p SMD BM EMV Male 90° 50 cont SMD BM EMV		
100300580001		K		
Index		A2		
Date		MSPEED		