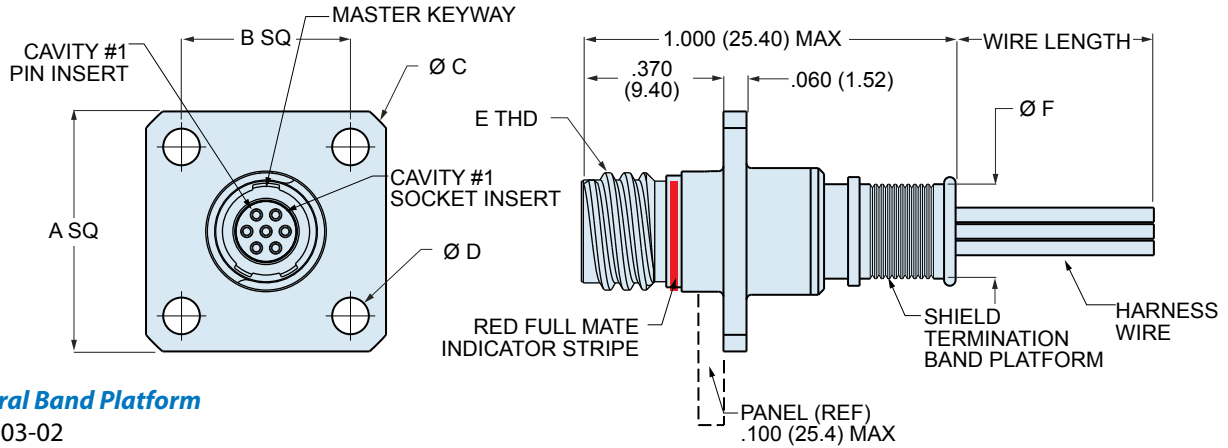


Series 811 Mighty Mouse High Density (HD)
Pre-Wired Square Flange Receptacle Connectors
811-003-02 and 811-004-02

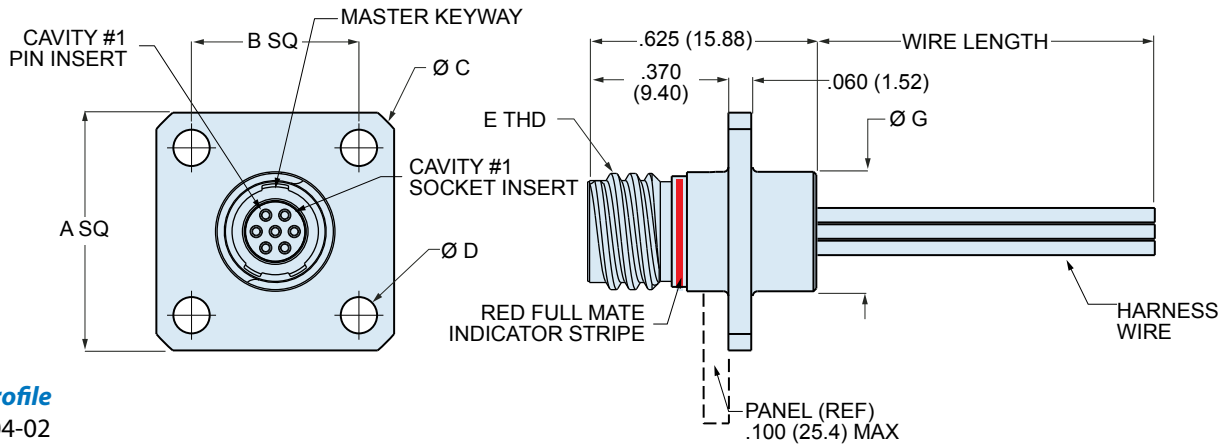


Mighty Mouse
High Density

Square flange receptacle, low profile or with band platform

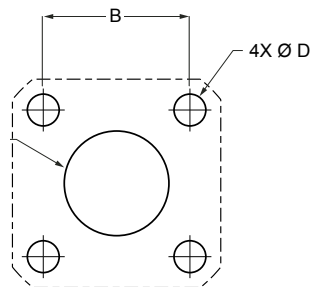


Integral Band Platform
811-003-02



Low Profile
811-004-02

Dimensions													
Shell Size	A Square		B Square		Ø C		Ø D		E Thread	Ø F		Ø G	
	In.	mm.	In.	mm.	In.	mm.	In.	mm.		In.	mm.	In.	mm.
5	.625	15.88	.440	11.18	.825	20.96	.093	2.36	.3125-.05P-.1L-2A	.246	6.25	.320	8.13
6	.725	18.42	.530	13.46	.950	24.13	.093	2.36	.3750-.05P-.1L-2A	.286	7.26	.375	9.53
7	.800	20.32	.600	15.24	1.050	26.67	.093	2.36	.4375-.05P-.1L-2A	.391	9.93	.480	12.19
8	.850	21.59	.650	16.51	1.125	28.58	.093	2.36	.5000-.05P-.1L-2A	.443	11.25	.540	13.72
9	.950	24.13	.750	19.05	1.250	31.75	.093	2.36	.5625-.05P-.1L-2A	.498	12.65	.600	15.24



Panel Cutout		
Shell Size	Ø R	
	In.	mm.
5	.350	8.89
6	.390	9.91
7	.500	12.70
8	.560	14.22
9	.620	15.75

Dimensions in Inches (millimeters) are subject to change without notice.