

### Applications

- Mobile Infrastructure
- LTE / WCDMA / CDMA / EDGE
- Test Equipments and Sensors
- IF and RF Applications
- General Purpose Wireless

### Product Features

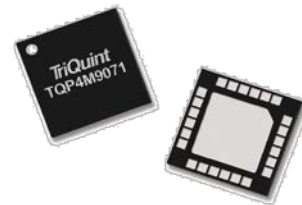
- DC – 4 GHz
- 0.5 dB LSB Steps to 31.5 dB
- +57 dBm Input IP3
- 1.7 dB Insertion Loss at 2.2 GHz
- TTL / CMOS Compatible Parallel Control Interface
- No requirement for external bypass capacitors for operation above 700 MHz
- 50  $\Omega$  Impedance
- +3.3V or +5V Supply Voltage

### General Description

The TQP4M9071 is a high linearity, low insertion loss, 6 bit, 31.5 dB Digital Step Attenuator (DSA) operating over the DC – 4 GHz frequency range. The digital step attenuator uses a single positive +3.3V or +5V supply and has a parallel control interface for changing attenuation states. This product maintains high attenuation accuracy over frequency and temperature. No external matching components are needed for the DSA. The product has an added feature of not requiring external AC ground capacitors for operation above 700 MHz.

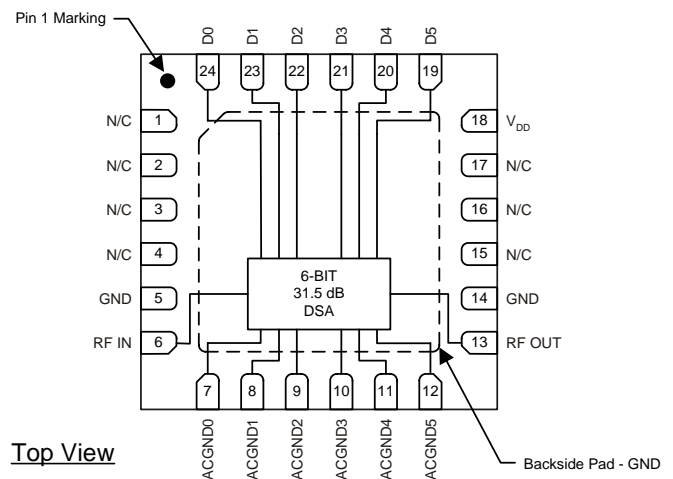
The TQP4M9071 is available in a standard lead-free /green/RoHS-compliant 24-pin 4x4mm QFN package.

Also available from TriQuint is the TQP4M9072, a footprint and pin compatible DSA with a serial control interface.



24-pin 4x4mm leadless QFN package

### Functional Block Diagram



### Pin Configuration

Pin No.	Label
1, 2, 3, 4, 15, 16, 17	N/C
6	RF IN
7, 8, 9, 10, 11, 12	ACGND0-ACGND5
13	RF OUT
18	V <sub>DD</sub>
19, 20, 21, 22, 23, 24	D0 – D5
5, 14	GND
Backside Pad	GND

### Ordering Information

Part No.	Description
TQP4M9071	6 Bit, 31.5 dB DSA
TQP4M9071-PCB_IF	40 – 500 MHz Evaluation Board
TQP4M9071-PCB_RF	0.7 – 4 GHz Evaluation Board

PCB includes USB control interface board, EVH.  
Standard T/R size = 2500 pieces on a 13" reel.

### Absolute Maximum Ratings

Parameter	Rating
Storage Temperature	-55 to 150 °C
RF Input Power, 50 Ω, T = 85 °C	+28 dBm
Device Voltage (V <sub>DD</sub> )	+7.0 V
Control Bit Input Voltage (V <sub>CTRL</sub> )	V <sub>DD</sub> +1V

Operation of this device outside the parameter ranges given above may cause permanent damage.

### Recommended Operating Conditions

Parameter	Min	Typ	Max	Units
Device Voltage (V <sub>DD</sub> )	+3.3	+5.0	+5.25	V
Case Temperature	-40		+105	°C

Electrical specifications are measured at specified test conditions. Specifications are not guaranteed over all recommended operating conditions.

### Electrical Specifications

Test conditions: V<sub>DD</sub>=+5 V, Temp= +25 °C, 50 Ω system, Mode 1, No external bypass capacitors used on pins 7-12.

Parameter	Conditions	Min	Typ	Max	Units
Operational Frequency Range	See Note 1 and 2.	DC		4000	MHz
Insertion Loss	1.0 GHz		1.3		dB
	2.0 GHz		1.6		dB
	2.2 GHz		1.7	2.2	dB
	3.5 GHz		2.1		dB
Return Loss	All States		17		dB
Accuracy Error	0.04 – 2.7 GHz, All States, Mode 2	± (0.3 + 3% of Atten. Setting) Max			dB
	0.7 – 2.7 GHz, All States, Mode 1 or Mode 2	± (0.3 + 3% of Atten. Setting) Max			dB
	2.7 – 3.5 GHz, All States, Mode 1 or Mode 2	± (0.4 + 4% of Atten. Setting) Max			dB
Attenuation Step	To be monotonic (Step Attenuation ≥ 0)	0	0.5		dB
Input IP3	Input Power = +15 dBm / tone, All States		+57		dBm
Input P0.1dB	All States, DC-4 GHz		+30		dBm
Time <sub>rise / fall</sub>	10% / 90% RF		90		ns
Time <sub>On</sub> , Time <sub>Off</sub>	50% CTL to 10% / 90% RF		100		ns
Supply Voltage, V <sub>DD</sub>	See Note 3.		+5		V
Supply Current, I <sub>DD</sub>			1.4		mA

Notes:

1. In Mode 1 no external bypass capacitors are used and operating frequency is 0.7 – 4GHz. See detailed device description.
2. In Mode 2 external bypass capacitors are used and operating frequency may be extended to 0.04 – 4GHz. See detailed device description.
3. The product can be operated at lower V<sub>DD</sub> of +3.3V with reduced performance.

### Control Logic Requirements

Device has six TTL/CMOS compatible parallel control inputs to select attenuation states. Test conditions V<sub>DD</sub>=+5 V, Temp.=+25 °C

Parameter	Conditions	Min	Typical	Max	Units
Low State Input Voltage		0		0.8	V
High State Input Voltage		2		V <sub>DD</sub>	V
Low State Current	V <sub>CTRL</sub> =+0.8 V		5	uA	uA
High State Current	V <sub>CTRL</sub> =+5 V		50	uA	uA

## Detailed Device Description

The TQP4M9071 is a high linearity, low insertion loss, wideband, 6-bit, 31.5 dB digital step attenuator. The digital step attenuator uses a single +3.3 V or +5 V supply and has a parallel control interface for changing attenuation states. This product maintains high attenuation accuracy over frequency and temperature. The product does not require any external bypass capacitors on AC ground pins for operation above 700 MHz. The DSA performance remains unchanged for frequency range 0.7 – 4 GHz in either Mode 1 or Mode 2. The operating frequency may be extended to low frequency range (0.04 – 0.7 GHz) with external bypass capacitors on AC ground pins (ACGND0-ACGND5).

Further assistance may be requested from TriQuint Applications Engineering:

Email: [sicapplications.engineering@triquint.com](mailto:sicapplications.engineering@triquint.com)

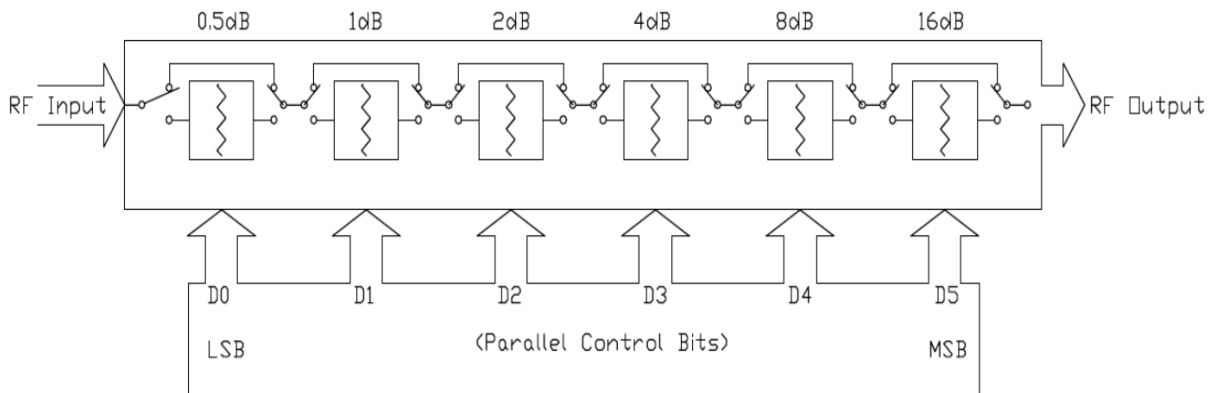
## Control Logic Truth Table

Test conditions: +25 °C,  $V_{DD} = +5 V$

LSB		Control Bits				MSB	Attenuation State
D0	D1	D2	D3	D4	D5		
1	1	1	1	1	1	Reference : IL	
0	1	1	1	1	1	0.5 dB	
1	0	1	1	1	1	1 dB	
1	1	0	1	1	1	2 dB	
1	1	1	0	1	1	4 dB	
1	1	1	1	0	1	8 dB	
1	1	1	1	1	0	16 dB	
0	0	0	0	0	0	31.5 dB	

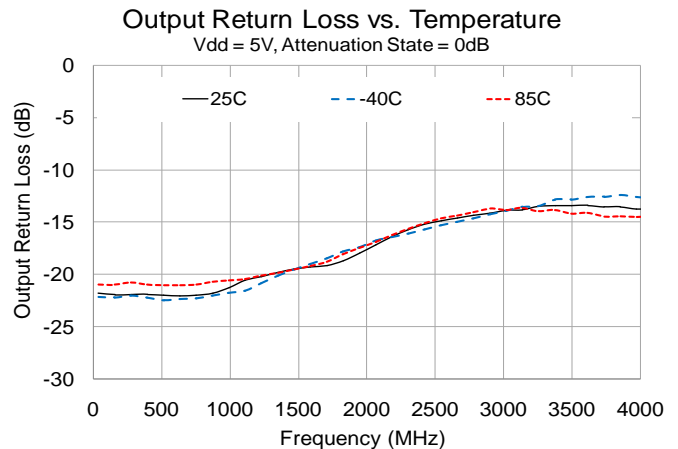
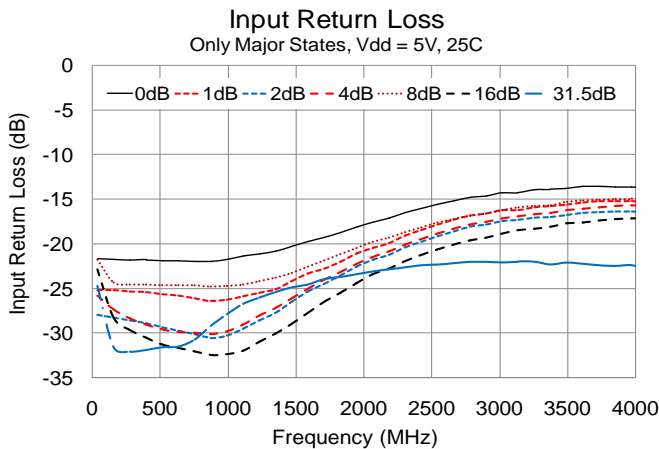
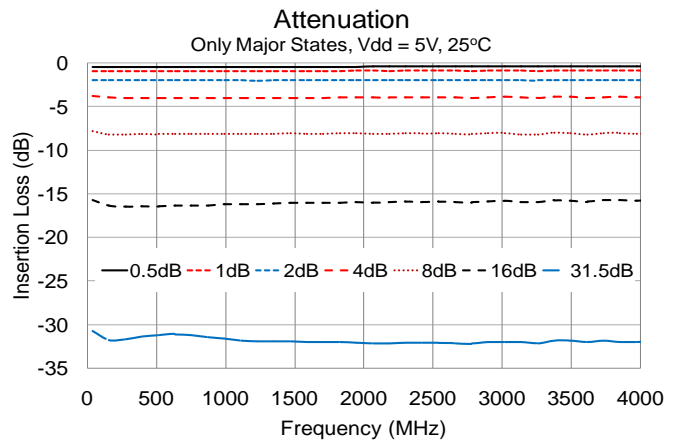
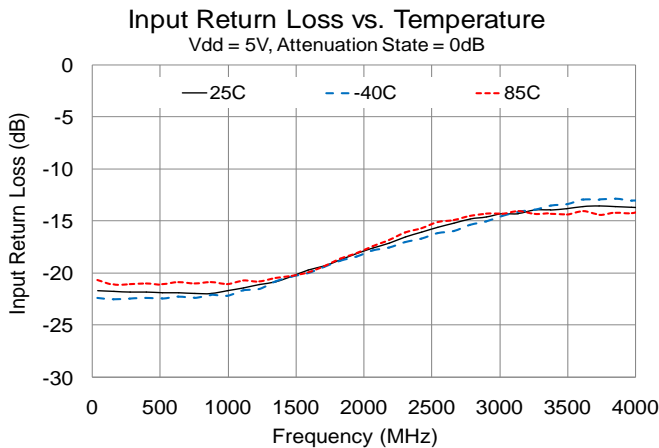
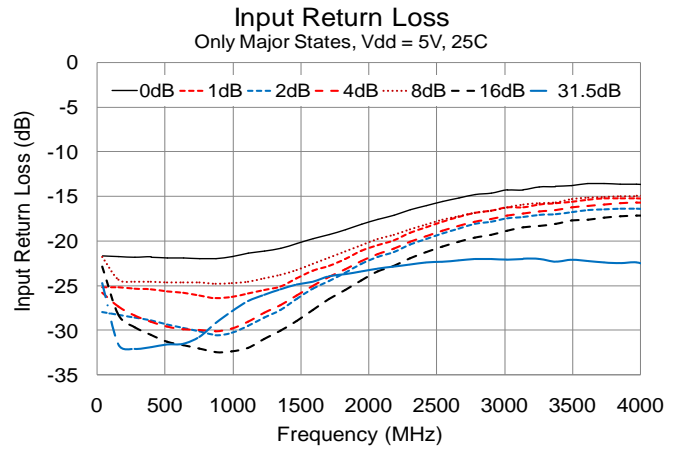
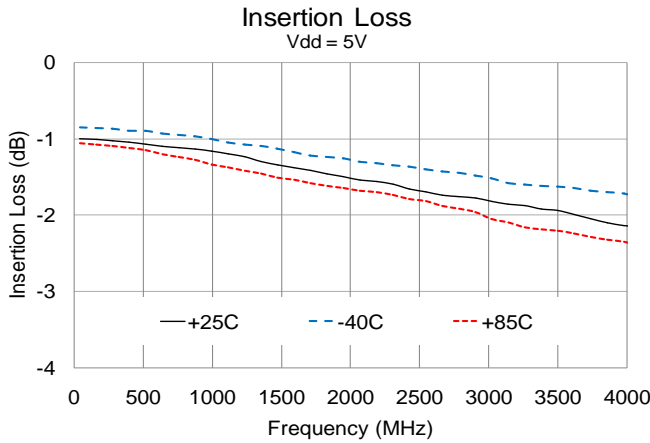
Any combination of the possible 64 states will provide an attenuation of approximately the sum of bits selected

## Functional Schematic Diagram

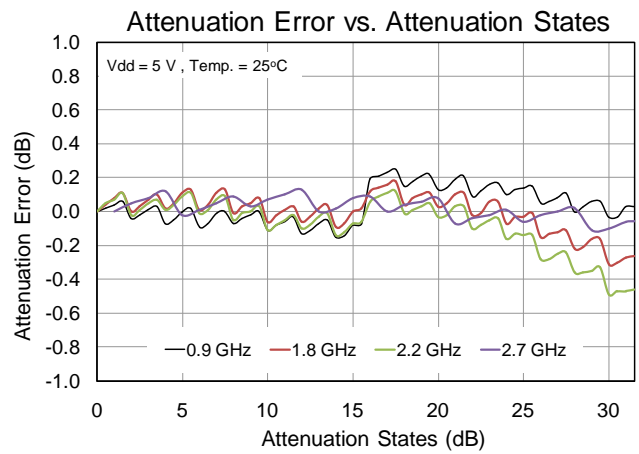
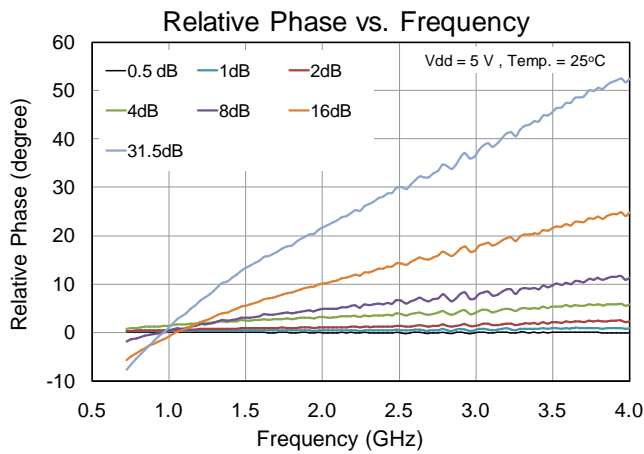
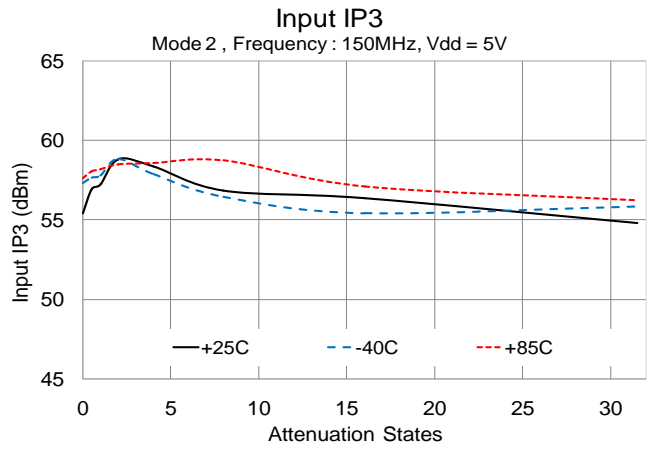
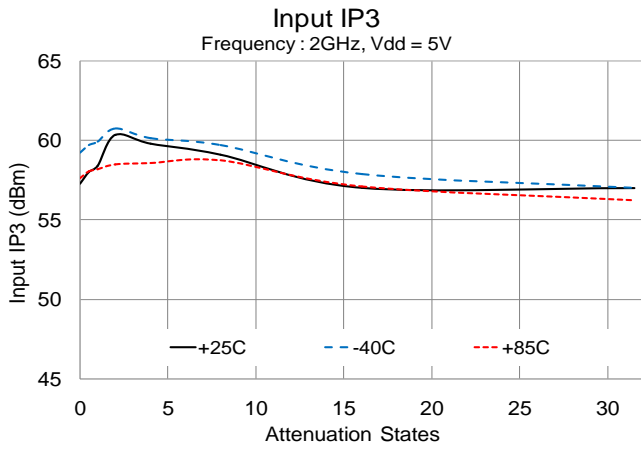


**Typical Performance Plots**

Performance plots data is measured using Bias Tee on RF ports in Mode 2 configuration. Mode 2 operation is required to obtain performance at frequencies lower than 0.7 GHz. For frequency range 0.7–4.0 GHz, data is identical in Mode 1 and Mode 2.

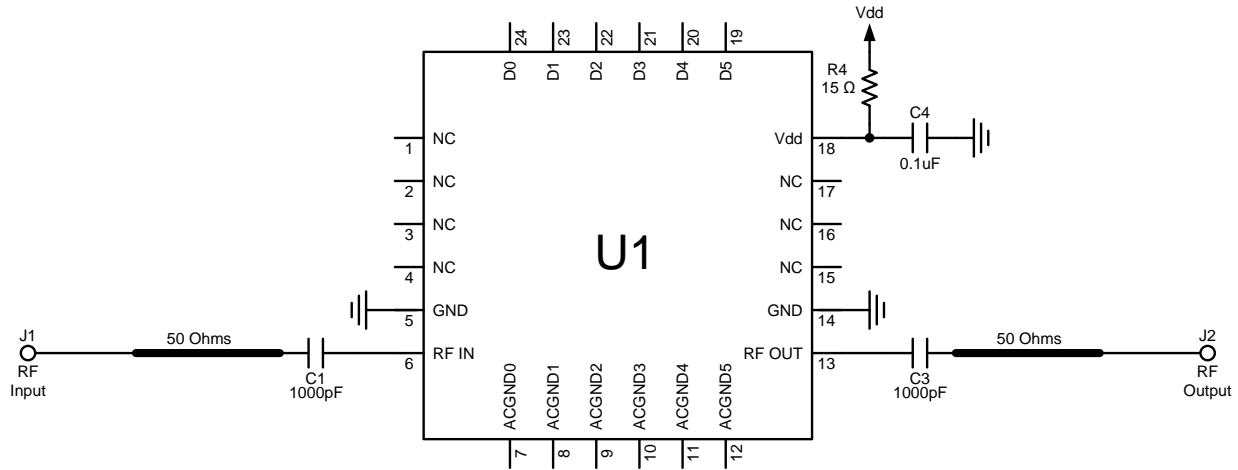


**Typical Performance Plots**



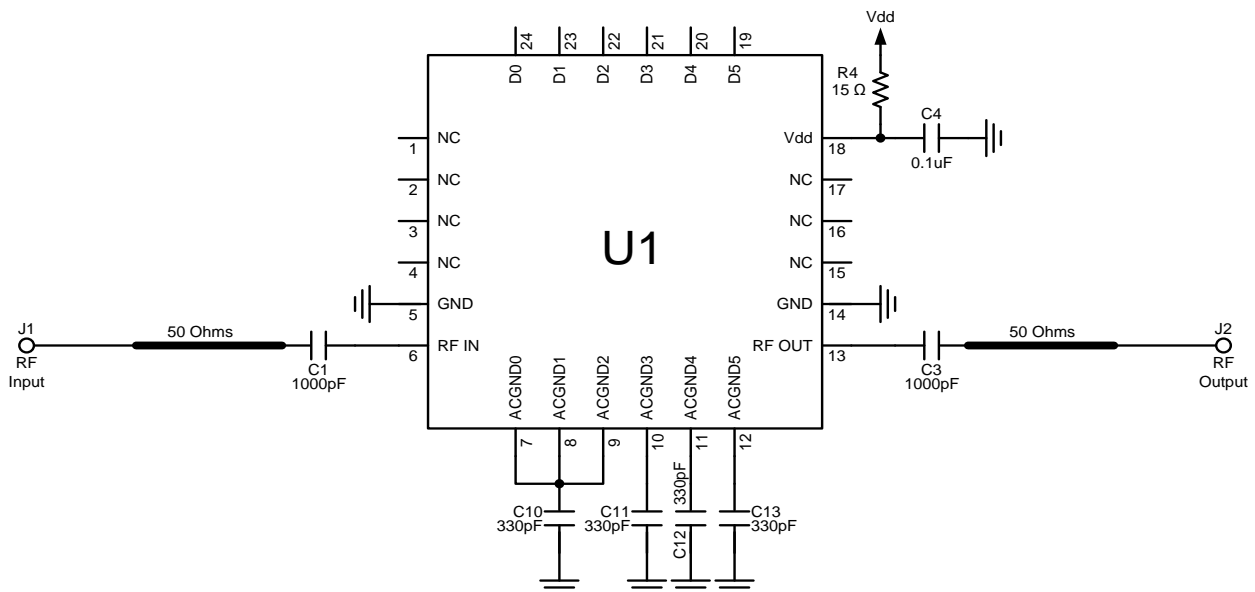
**Mode 1: 0.7 – 4.0 GHz Operation (TQP4M9071-PCB\_RF)**

No external bypass capacitors required. There are 0.2 pF shunt capacitors (C5 and C7) next to RF connectors, on the application board, to resonate out the RF connector parasitic. These shunt capacitors are not required in the final application circuit.

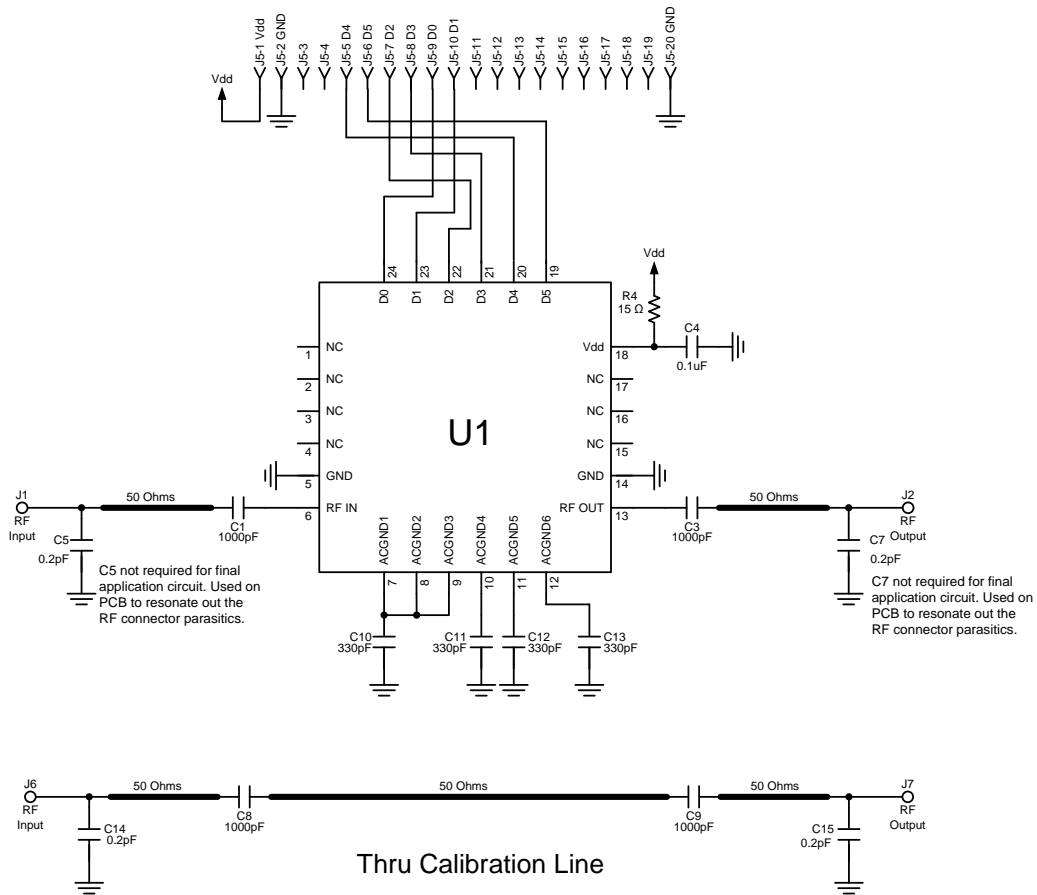


**Mode 2: 0.04 – 4.0 GHz Operation (TQP4M9071-PCB\_IF)**

External bypass capacitors required on ACGND0 - ACGND5 pins. For improved operation below 0.1 GHz, blocking and bypass capacitors values can be increased to 10 nF. This circuit configuration can also be used for operation up to 4 GHz. The DSA performance remains unchanged for frequency range 0.7 – 4.0 GHz in either Mode 1 or Mode 2. There are 0.2 pF shunt capacitors (C5 and C7) next to RF connectors, on the application board, to resonate out the RF connector parasitic. These shunt capacitors are not required in the final application circuit.



## TQP4M9071-PCB\_RF/IF Schematic



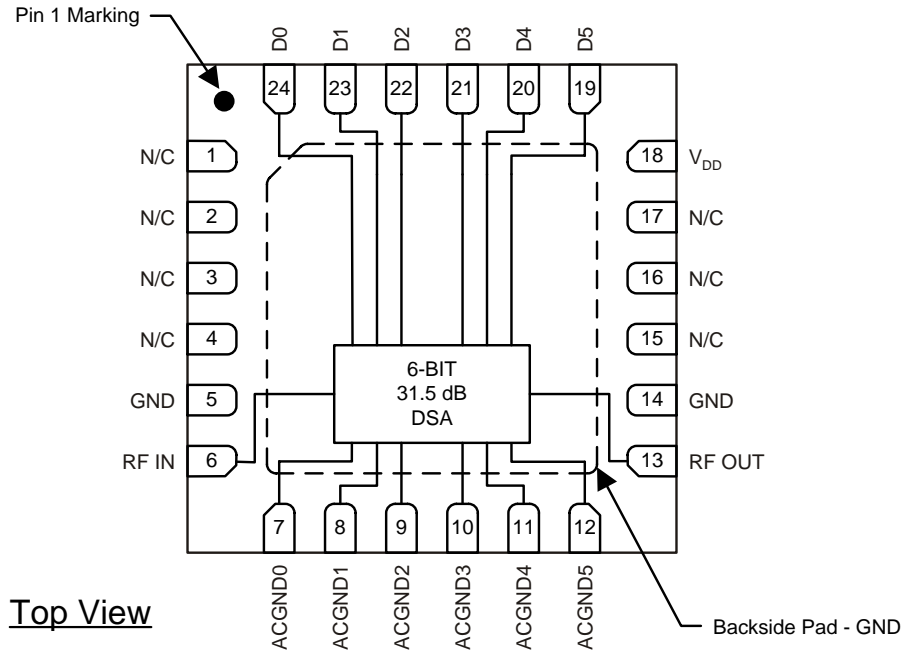
### Bill of Material: TQP4M9071-PCB\_RF

Reference Desg.	Value	Description	Manufacturer	Part Number
U1	n/a	High Linearity 6-Bit, 31.5dB, DSA	TriQuint	TQP4M9071
C4	0.1 uF	Cap, Chip, 0402, 16V, 20%	various	
C1,C3,C8, C9	1000 pF	Cap, Chip, 0402, 50V, 10%	various	
R1	15 Ω	Res, Chip, 0402, 1/16W, 5%	various	
C10, C11, C12, C13	DNP	Do Not Place	various	

### Bill of Material: TQP4M9071-PCB\_IF

Reference Desg.	Value	Description	Manufacturer	Part Number
U1	n/a	High Linearity 6-Bit, 31.5dB, DSA	TriQuint	TQP4M9071
C4	0.1 uF	Cap, Chip, 0402, 16V, 20%	various	
C1,C3,C8, C9	1000 pF	Cap, Chip, 0402, 50V, 10%	various	
R1	15 Ω	Res, Chip, 0402, 1/16W, 5%	various	
C10, C11, C12, C13	330 pF	Cap, Chip, 0402, 50V, 10%	various	

## Pin Configuration and Description



Pin No.	Label	Description
6	RF IN	RF Input , DC voltage present, blocking capacitor required
7	ACGND0	AC ground for extended low frequency operation option
8	ACGND1	AC ground for extended low frequency operation option
9	ACGND2	AC ground for extended low frequency operation option
10	ACGND3	AC ground for extended low frequency operation option
11	ACGND4	AC ground for extended low frequency operation option
12	ACGND5	AC ground for extended low frequency operation option
13	RF OUT	RF Output , DC voltage present, blocking capacitor required
18	V <sub>DD</sub>	Supply Voltage, bypass capacitor required close to the pin
19	D5	16 dB attenuation control bit
20	D4	8 dB attenuation control bit
21	D3	4 dB attenuation control bit
22	D2	2 dB attenuation control bit
23	D1	1 dB attenuation control bit
24	D0	0.5 dB attenuation control bit
5,14	GND	These pins must be connected to RF/DC ground
1, 2, 3, 4, 15, 16, 17	N/C	No electrical connection. Land pads should be provided for PCB mounting integrity.
Backside Pad	GND	RF/DC ground. Use recommended via pattern to minimize inductance and thermal resistance. See PCB Mounting Pattern for suggested footprint.



## Applications Information

### PC Board Layout

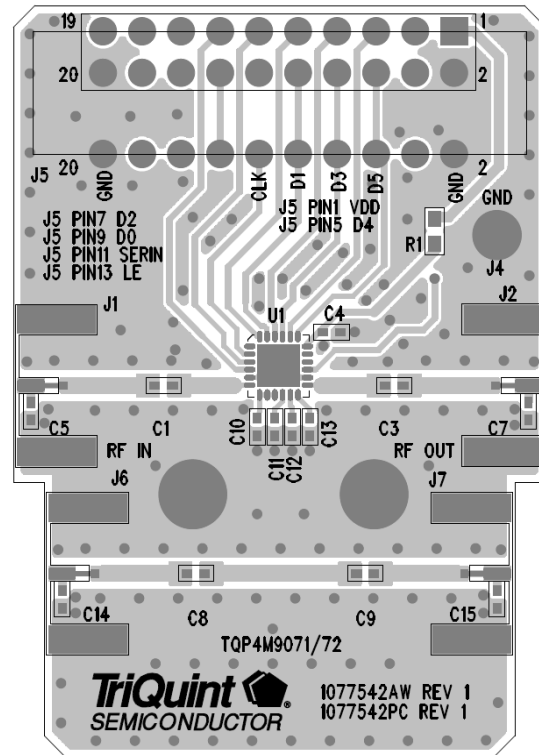
Top RF layer is .020" Rogers-4003,  $\epsilon_r = 3.45$ , 4 total layers (0.062" thick) for mechanical rigidity. Metal layers are 1-oz copper. Microstrip line details: width = .040", spacing = .020".

External DC blocking capacitors are required on RFin and RFout pins of the device. The supply voltage for the DSA is supplied externally through pin Vdd. Frequency bypassing for this pin is supplied by surface mount capacitor 0.1  $\mu$ F (C4). This capacitor is placed close to the device pin in the board layout. To ensure application circuit is compatible with different standard power supplies, 15  $\Omega$  (R1) dropping resistor is highly recommended on Vdd supply line.

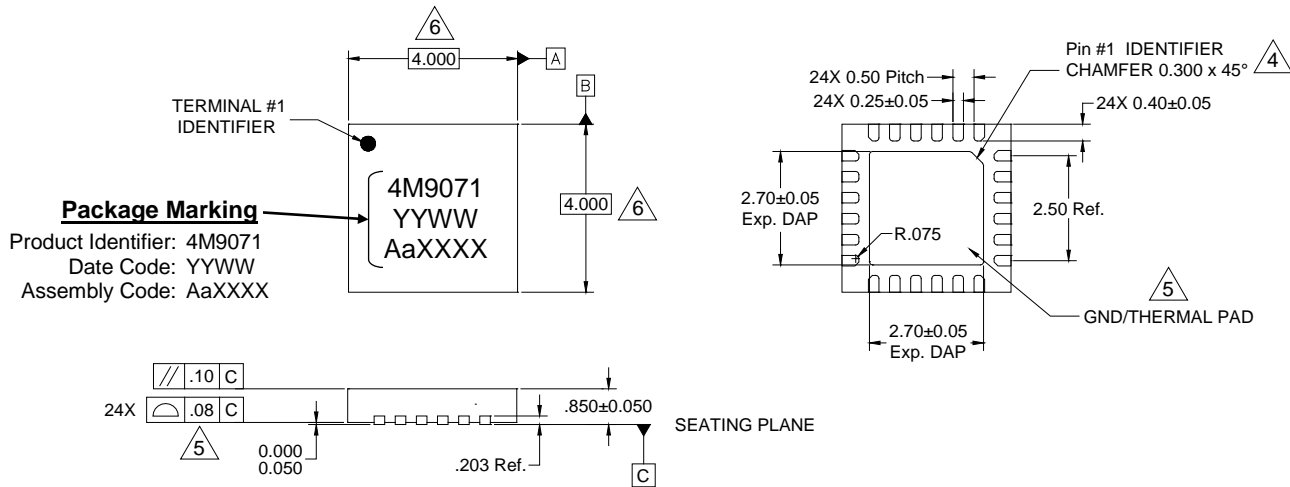
RF layout is critical for getting the best performance RF trace impedance needs to be 50 ohm. For measuring the actual device performance on connectorized PC board, input losses due to RF traces need to be subtracted from the data measured through SMA connectors. The calibration microstrip line J6-J7 estimates the PCB insertion loss for removal from the evaluation board measured data. All data shown on the datasheet are de-embedded up to the device input/output pins.

The PC board is designed to test using USB control interface board, Evaluation Board Host (EVH). Each TQP4M9071 evaluation board is supplied with the EVH board, USB cable and EVH graphical user interface (EVH GUI) to change attenuation states. Manual for using EVH and Application note describing the EVH are also available. Refer to TriQuint's website for more information

The pad pattern shown has been developed and tested for optimized assembly at TriQuint Semiconductor. The PCB land pattern has been developed to accommodate lead and package tolerances. Since surface mount processes vary from company to company, careful process development is recommended.



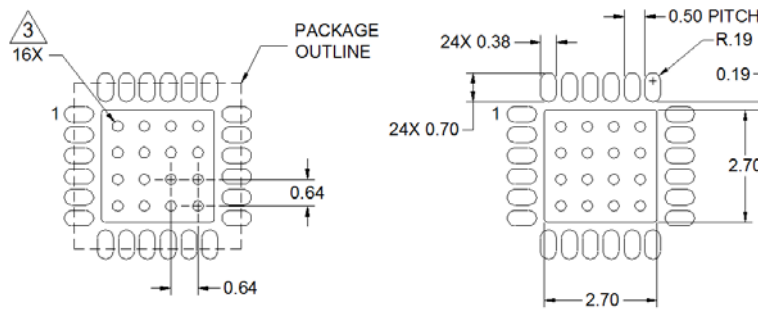
## Package Marking and Dimensions



**Notes:**

1. All dimensions are in millimeters. Angles are in degrees.
2. Except where noted, this part outline conforms to JEDEC standard MO-220, Issue E (Variation VGGC) for thermally enhanced plastic very thin fine pitch quad flat no lead package (QFN).
3. Dimension and tolerance formats conform to ASME Y14.4M-1994.
4. The terminal #1 identifier and terminal numbering conform to JESD 95-1 SPP-012.
5. Co-planarity applies to the exposed ground/thermal pad as well as the contact pins.
6. Package body length/width does not include plastic flash protrusion across mold parting line.

## PCB Mounting Pattern



COMPONENT SIDE

**Notes:**

1. All dimensions are in millimeters. Angles are in degrees.
2. Use 1 oz. copper minimum for top and bottom layer metal.
3. Vias are required under the backside paddle of this device for proper RF/DC grounding and thermal dissipation. We recommend a 0.35mm (#80/.0135") diameter bit for drilling via holes and a final plated thru diameter of 0.25 mm (0.10").
4. Ensure good package backside paddle solder attach for reliable operation and best electrical performance.

## Product Compliance Information

### ESD Sensitivity Ratings



Caution! ESD-Sensitive Device

ESD Rating: Class 1B  
Value:  $\geq 500$  V to  $< 1000$  V  
Test: Human Body Model (HBM)  
Standard: ESDA/JEDEC Standard JS-001-2012

ESD Rating: Class C3  
Value:  $\geq 1000$  V  
Test: Charged Device Model (CDM)  
Standard: JEDEC Standard JESD22-C101F

### MSL Rating

MSL Rating: Level 1  
Test:  $+260$  °C convection reflow  
Standard: JEDEC standard IPC/JEDEC J-STD-020

### Solderability

Compatible with both lead-free ( $260$  °C maximum reflow temperature) and tin/lead ( $245$  °C maximum reflow temperature) soldering processes.

Package lead plating: Annealed Matte Tin over Copper

### RoHs Compliance

This part is compliant with EU 2002/95/EC RoHS directive (Restrictions on the Use of Certain Hazardous Substances in Electrical and Electronic Equipment).

This product also has the following attributes:

- Halogen Free (Chlorine, Bromine)
- Antimony Free
- TBBP-A ( $C_{15}H_{12}Br_4O_2$ ) Free
- PFOS Free
- SVHC Free
- Lead Free

## Contact Information

For the latest specifications, additional product information, worldwide sales and distribution locations, and information about TriQuint:

**Web:** [www.triquint.com](http://www.triquint.com)      **Tel:** +1.503.615.9000  
**Email:** [info-sales@triquint.com](mailto:info-sales@triquint.com)      **Fax:** +1.503.615.8902

For technical questions and application information:

**Email:** [sjcappliations.engineering@triquint.com](mailto:sjcappliations.engineering@triquint.com)

## Important Notice

The information contained herein is believed to be reliable. TriQuint makes no warranties regarding the information contained herein. TriQuint assumes no responsibility or liability whatsoever for any of the information contained herein. TriQuint assumes no responsibility or liability whatsoever for the use of the information contained herein. The information contained herein is provided "AS IS, WHERE IS" and with all faults, and the entire risk associated with such information is entirely with the user. All information contained herein is subject to change without notice. Customers should obtain and verify the latest relevant information before placing orders for TriQuint products. The information contained herein or any use of such information does not grant, explicitly or implicitly, to any party any patent rights, licenses, or any other intellectual property rights, whether with regard to such information itself or anything described by such information.

TriQuint products are not warranted or authorized for use as critical components in medical, life-saving, or life-sustaining applications, or other applications where a failure would reasonably be expected to cause severe personal injury or death.