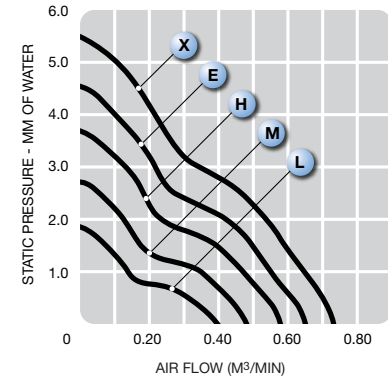
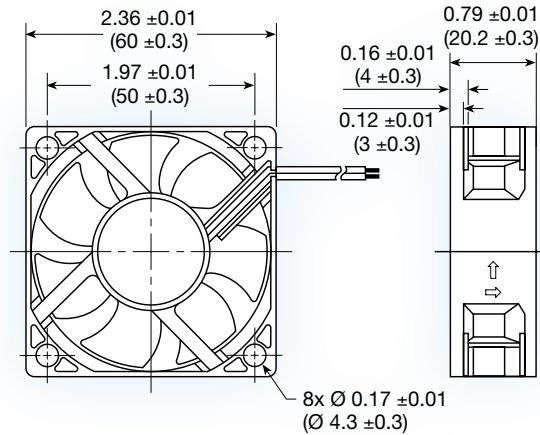


# MD6020 series



**(60 x 60 x 20 mm)**  
2.36 x 2.36 x 0.79 inches

Construction: UL94V-0 PBT impeller & frame

Bearing option: ball bearing or sleeve

Connection: AWG 26, UL1007 lead wires

Frame: flanged

Protection: thermal

Options: tachometer output or locked rotor alarm signal

Model No.	Rated Voltage V	Operating Voltage V	Current mA	Speed RPM	Air Volume		Max. Static Pressure (H <sub>2</sub> O)		Sound Noise dB(A)	Weight g
					M <sup>3</sup> /Min.	CFM	MM	INCH		
MD6020L	12	6 - 13.8	100	2,700	0.39	13.9	1.88	0.07	23.0	43
MD6020M	12	6 - 13.8	120	3,200	0.48	16.9	2.75	0.11	27.5	43
MD6020H	12	6 - 13.8	160	3,900	0.58	20.4	3.72	0.15	31.0	43
MD6020E	12	6 - 13.8	220	4,400	0.65	23.0	4.56	0.18	33.5	43
MD6020X	12	6 - 13.8	300	4,900	0.73	25.8	5.51	0.22	37.0	43