

**PLEASE CHECK WWW.MOLEX.COM FOR LATEST PART INFORMATION**

**Part Number:** [0885237204](#)  
**Status:** **Active**  
**Overview:** [fiber optic product families](#)  
**Description:** MT-RJ(F)-to-FC, Singlemode, 9/125µm/G652, Duplex, 1.60mm (.063"), Standard Fiber Optic Cable Assembly, 3.0m (9.84')

**Documents:**

[Drawing \(PDF\)](#) [RoHS Certificate of Compliance \(PDF\)](#)

**General**

Product Family	Fiber Optic Assemblies
Series	<a href="#">88523</a>
Connector to Connector	MT-RJ-to-FC
Mode	Singlemode
Overview	<a href="#">fiber optic product families</a>
Product Name	FC, MT-RJ

**Physical**

Cable Length	3.0m (9.84')
Cable Size	1.60mm (.063")
Fiber (Core/Cladding)	9/125µm/G652
Single Ended	No
Wire/Cable Type	Duplex

**Material Info**

**Reference - Drawing Numbers**

Sales Drawing	SD-88523-075
---------------	--------------

**EU RoHS**

**RoHS Compliant by Exemption**  
**REACH SVHC**  
**Not Reviewed**  
**Halogen-Free**  
**Status**  
**Not Reviewed**

**China RoHS**



**Need more information on product environmental compliance?**

Email [productcompliance@molex.com](mailto:productcompliance@molex.com)  
 For a multiple part number RoHS Certificate of Compliance, [click here](#)

Please visit the [Contact Us](#) section for any non-product compliance questions.

**Search Parts in this Series**  
[88523Series](#)

E

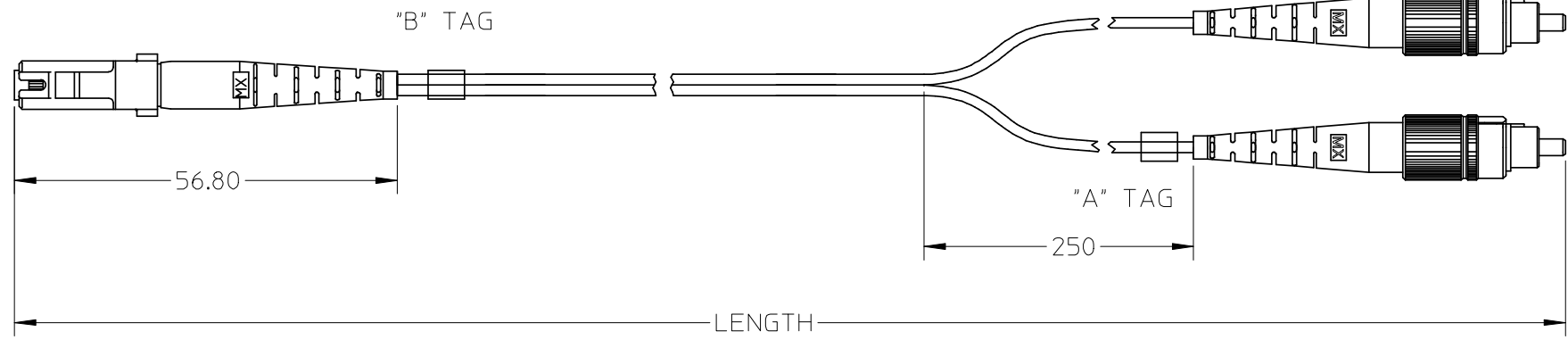
D

C

B

A

FC/PC 2.0/1.6MM CONN.



885237214	MTRJ(F)-FC DUP SM 1.6MM 15M	15000(+200/-0)
885237204	MTRJ(F)-FC DUP SM 1.6MM 3M	3000(+200/-0)
885237203	MTRJ(F)-FC DUP SM 1.6MM 2M	2000(+200/-0)
885237202	MTRJ(F)-FC DUP SM 1.6MM 10M	10000(+200/-0)
885237201	MTRJ(F)-FC DUP SM 1.6MM 5M	5000(+200/-0)
885237200	MTRJ(F)-FC DUP SM 1.6MM 1M	1000(+100/-0)
MX P/N	DESCRIPTION	LENGTH

NOTES:

1. DUST CAPS ARE NOT SHOWN
2. PER CHANNEL @ 1310nm  
FC SIDE IL<=0.30dB, RL>50dB  
MTRJ SIDE IL<=0.7dB, RL>45dB

ENTER DESCRIPTION EC NO: DG2008-0161 DRWN:XPCHEN CHKD: APPR: JOWANG	2008/07/15	DESCRIPTION REV
	2008/07/15	
	2008/07/18	

QUALITY SYMBOLS
▽=0
∇=0

GENERAL TOLERANCES (UNLESS SPECIFIED)	
	mm INCH
4 PLACES	± --- ± ---
3 PLACES	± --- ± ---
2 PLACES	± --- ± ---
1 PLACE	± --- ± ---
ANGULAR ± ---°	
DRAFT WHERE APPLICABLE MUST REMAIN WITHIN DIMENSIONS	

DIMENSION STYLE MM ONLY	
DRAWN BY	DATE
XP	2008/06/21
CHECKED BY	DATE
LISA	2008/06/21
APPROVED BY	DATE
JOHNNY	2008/06/21
MATERIAL NO. SEE TABLE	

SCALE ---	DESIGN UNITS METRIC	THIRD ANGLE PROJECTION
TITLE MTRJ(F)-FC DUP SM 1.6MM		
MOLEX MOLEX INCORPORATED		
MATERIAL NO. SEE TABLE	DOCUMENT NO. SD-88523-075	SHEET NO. 1 OF 1
THIS DRAWING CONTAINS INFORMATION THAT IS PROPRIETARY TO MOLEX INCORPORATED AND SHOULD NOT BE USED WITHOUT WRITTEN PERMISSION		