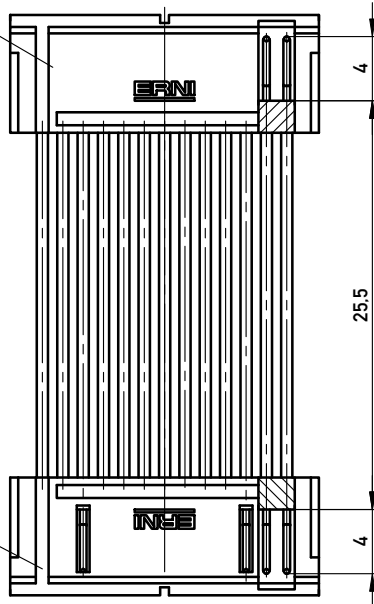
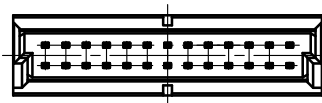


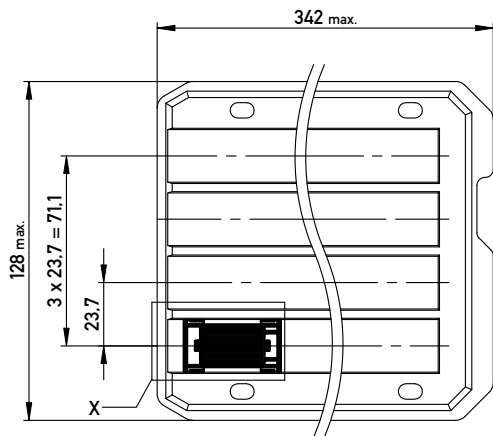
ohne Verriegelung  
without interlocking



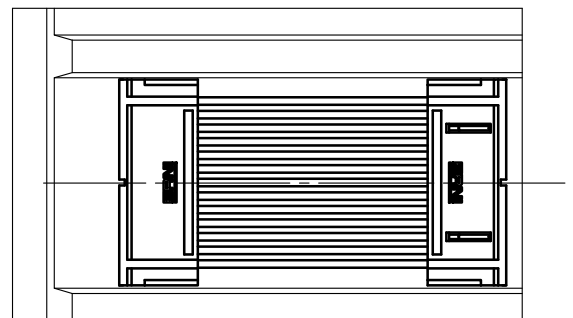
mit Verriegelung  
with interlocking



Verpackt in Tray -tray packaging  
Verpackungseinheit 32 Stück -packaging unit 32



Einzelheit X (M 2:1)  
detail X



Adapterstück für board-to-board Abstand von 38mm (beidseitig verbaut mit Federleiste: 154806, Low Profile)  
Adapter for board-to-board height 38mm (in combination with two female connectors: 154806, low profile)

Copyright by ERNI GmbH Proprietary notice pursuant to ISO 16016 to be observed.	Information:	Tolerances	 All Dimensions in mm	Scale	3:1	
	All rights reserved. Only for Information. To ensure that this is the latest version of this drawing, please contact one of the ERNI companies before using.	Subject to modification without prior notice. Drawing will not be updated.	Designation <b>1,27 DRC Adapterstück BTB 38mm</b> <i>26-polig</i>			
	E01 Index	26.06.2008 Date	 www.ERNI.com	<b>364093</b>		I <b>A3</b>
					Class	DRCBTB