

PLEASE CHECK WWW.MOLEX.COM FOR LATEST PART INFORMATION

Part Number: [0885237202](#)
Status: **Active**
Overview: [fiber optic product families](#)
Description: MT-RJ(F)-to-FC, Singlemode, 9/125µm/G652, Duplex, 1.60mm (.063"), Standard Fiber Optic Cable Assembly, 10.0m (32.81')

Documents:

[Drawing \(PDF\)](#) [RoHS Certificate of Compliance \(PDF\)](#)

General

| | |
|------------------------|--|
| Product Family | Fiber Optic Assemblies |
| Series | 88523 |
| Connector to Connector | MT-RJ-to-FC |
| Mode | Singlemode |
| Overview | fiber optic product families |
| Product Name | FC, MT-RJ |

Physical

| | |
|-----------------------|-----------------|
| Cable Length | 10.0m (32.81') |
| Cable Size | 1.60mm (.063") |
| Fiber (Core/Cladding) | 9/125µm/G652 |
| Single Ended | No |
| Wire/Cable Type | Duplex |

Material Info

Reference - Drawing Numbers

| | |
|---------------|--------------|
| Sales Drawing | SD-88523-075 |
|---------------|--------------|

EU RoHS

RoHS Compliant by Exemption
REACH SVHC Not Reviewed
Halogen-Free Status Not Reviewed

China RoHS



Need more information on product environmental compliance?

Email productcompliance@molex.com
 For a multiple part number RoHS Certificate of Compliance, [click here](#)

Please visit the [Contact Us](#) section for any non-product compliance questions.

Search Parts in this Series
[88523Series](#)

7 6 5 4 3 2 1

E

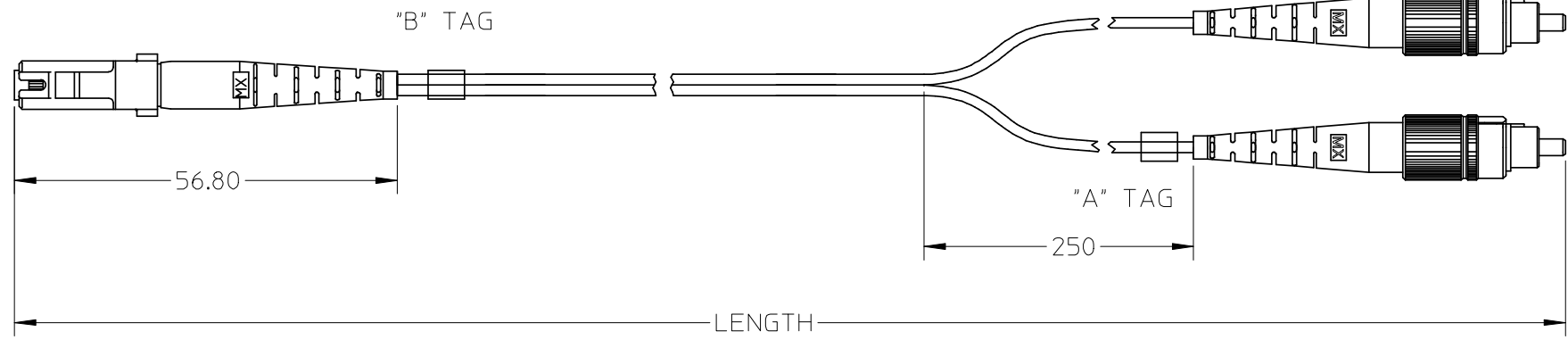
D

C

B

A

FC/PC 2.0/1.6MM CONN.



| | | |
|-----------|-----------------------------|----------------|
| 885237214 | MTRJ(F)-FC DUP SM 1.6MM 15M | 15000(+200/-0) |
| 885237204 | MTRJ(F)-FC DUP SM 1.6MM 3M | 3000(+200/-0) |
| 885237203 | MTRJ(F)-FC DUP SM 1.6MM 2M | 2000(+200/-0) |
| 885237202 | MTRJ(F)-FC DUP SM 1.6MM 10M | 10000(+200/-0) |
| 885237201 | MTRJ(F)-FC DUP SM 1.6MM 5M | 5000(+200/-0) |
| 885237200 | MTRJ(F)-FC DUP SM 1.6MM 1M | 1000(+100/-0) |
| MX P/N | DESCRIPTION | LENGTH |

NOTES:

1. DUST CAPS ARE NOT SHOWN
2. PER CHANNEL @ 1310nm
FC SIDE IL<=0.30dB, RL>50dB
MTRJ SIDE IL<=0.7dB, RL>45dB

| | | |
|---|------------|--------------------|
| ENTER DESCRIPTION EC NO: DG2008-0161 DRWN:XPCHEN CHKD: APPR: JOWANG | 2008/07/15 | DESCRIPTION REV |
| | 2008/07/15 | |
| | 2008/07/18 | |
| | | |

| |
|-----------------|
| QUALITY SYMBOLS |
| ▽=0 |
| ∇=0 |

| | | |
|--|-----------------|-------|
| GENERAL TOLERANCES (UNLESS SPECIFIED) | DIMENSION STYLE | |
| | MM ONLY | |
| | mm | INCH |
| | 4 PLACES | ± --- |
| | 3 PLACES | ± --- |
| | 2 PLACES | ± --- |
| | 1 PLACE | ± --- |
| | ANGULAR ± ---° | |
| DRAFT WHERE APPLICABLE MUST REMAIN WITHIN DIMENSIONS | | |

| | |
|--------------|------------|
| DRAWN BY | DATE |
| XP | 2008/06/21 |
| CHECKED BY | DATE |
| LISA | 2008/06/21 |
| APPROVED BY | DATE |
| JOHNNY | 2008/06/21 |
| MATERIAL NO. | |
| SEE TABLE | |

| | | |
|---|--------------|------------------------|
| SCALE | DESIGN UNITS | THIRD ANGLE PROJECTION |
| --- | METRIC | |
| TITLE | | |
| MTRJ(F)-FC DUP SM 1.6MM | | |
| MOLEX MOLEX INCORPORATED | | |
| MATERIAL NO. | DOCUMENT NO. | SHEET NO. |
| | SD-88523-075 | 1 OF 1 |
| THIS DRAWING CONTAINS INFORMATION THAT IS PROPRIETARY TO MOLEX INCORPORATED AND SHOULD NOT BE USED WITHOUT WRITTEN PERMISSION | | |

6 5 4 3 2 1