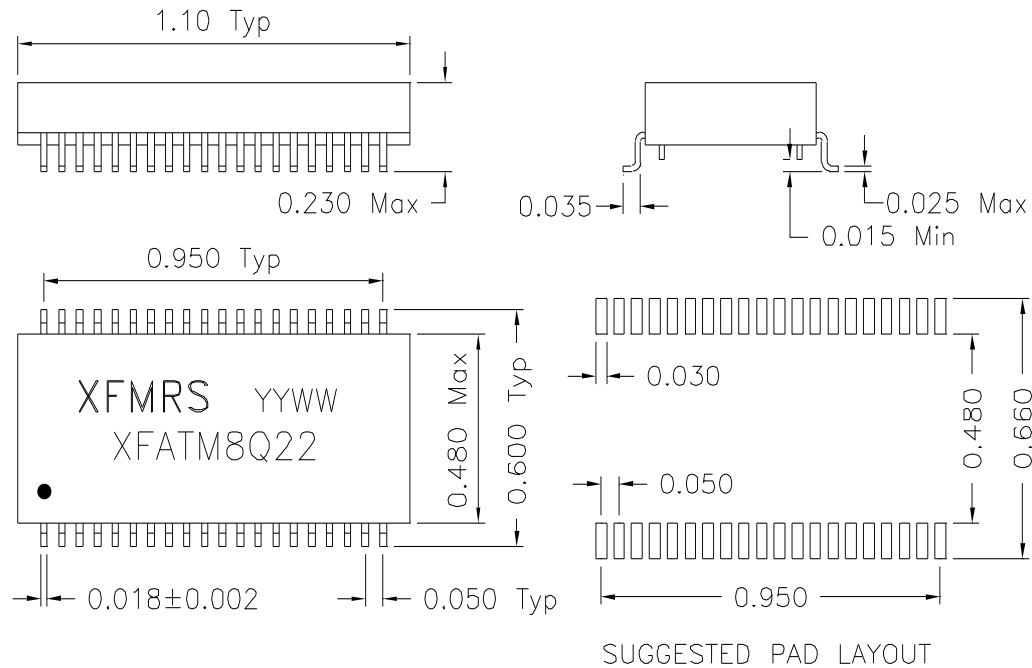
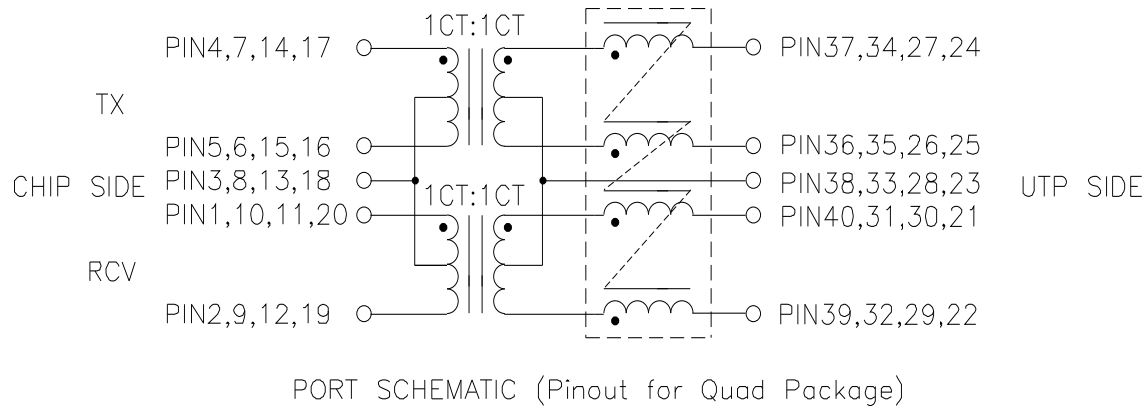


1. Dimensions:



2. Schematic:



PORT SCHEMATIC (Pinout for Quad Package)

DOC. REV A/1

3. Electrical Specifications: @25°C

- PRI/SEC ISOLATION: 1500 Vrms (Input/Output)
- UTP Side OCL: 350uH Minimum
- @100KHz 100mV 8mADC
- Insertion Loss: -1.0dB Max (1MHz-100MHz)
- Return Loss: -18dB Min @2-30MHz
- 18dB Min @30-60MHz
- 12dB Min @60-80MHz
- CMRR: -30dB Min (1MHz-100MHz)
- CMRR: -20dB Min (100MHz-500MHz)
- Crosstalk: -32dB Max (1MHz-100MHz)
- Differential to common mode rejection: -40dB Min (1MHz-100MHz)
- Rise Time: 3nS Max

XFMRS Inc	Title: Quad Ports 10/100BASE-T Modules		
	UNLESS OTHERWISE SPECIFIED TOLERANCES: .xxx ±0.010 Dimensions in INCH		P/N: XFATM8Q22 REV. A
	DWN.	李清儿	May-04-99
	CHK.	孙小松	May-04-99
	APP.	Joe Huff	May-5-99