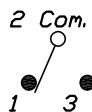


RECOMMENDED P.C.B LAYOUT

SCALE: 2X

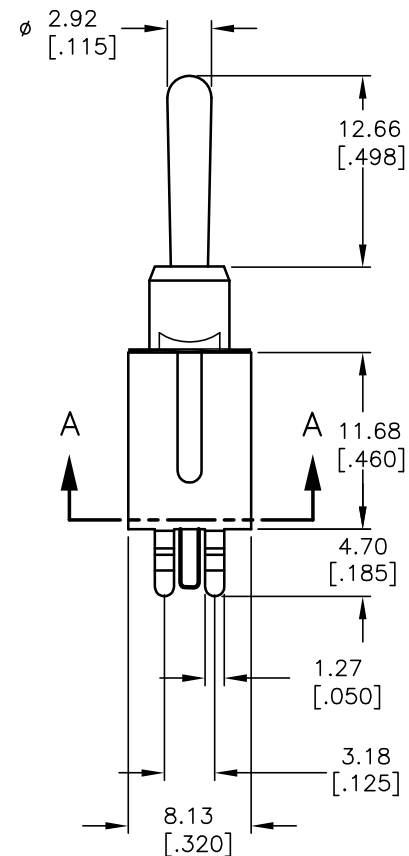
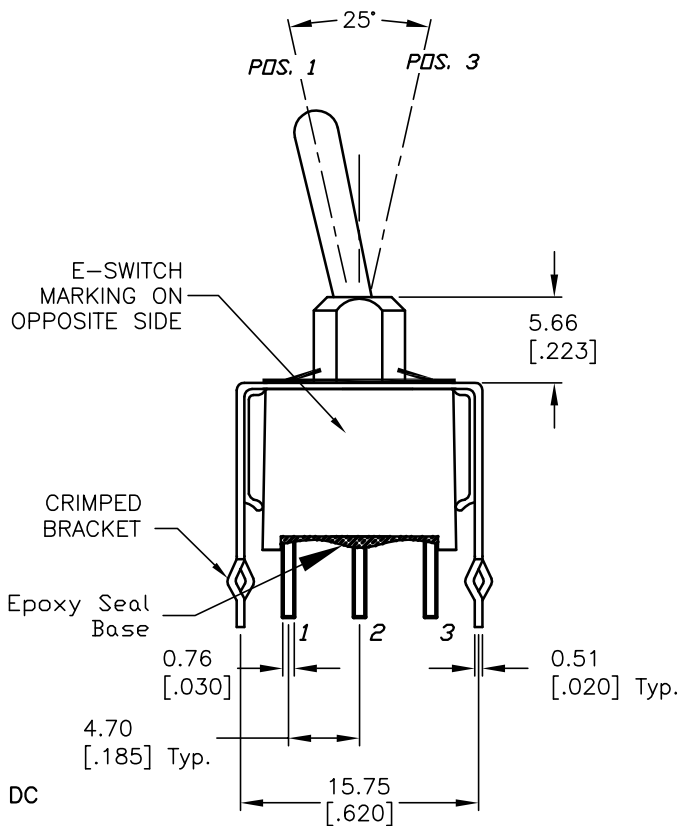
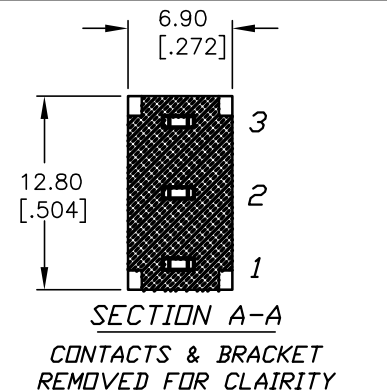
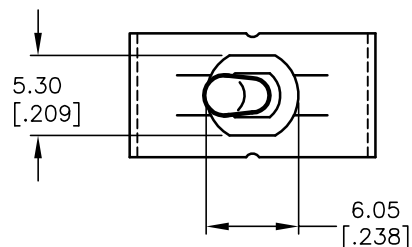


SPDT CIRCUIT CONTACT CONFIGURATION

SWITCH FUNCTION		
PDS. 1	PDS. 2	PDS. 3
ON	OFF	ON
2-3	OPEN	2-1

NOTES:

- ALL DIMENSIONS IN MM
- GENERAL TOLERANCE: X.X=±0.4
X.XX=±0.25
- TERMINAL NUMBERS FOR REF ONLY
- RATING: 0.4 VOLT AMPS MAX. @20V MAX AC OR DC
- FIXED TERM. & MOVING CONTACT:
COPPER ALLOY WITH GOLD PLATE OVER NICKLE PLATE
- ELECTRIC LIFE: 50,000 make-and-break cycles
at full load.
- INSULATION RESISTANCE: 1,000 Mega-ohm min.
- DIELECTRIC STRENGTH: 1,000 V RMS @sea level.
- OPERATING TEMP.: -30°C to 85°C



E-SWITCH®

TITLE					100AWSP3T1B4VS21RE				
SCALE	2:1	DATE	4/30/04	DR	AR	DWG	T101010	REV	A

A	13975	RELEASED FOR PRODUCTION	4/30/04	AR
REV.	ECN No.	DESCRIPTION	DATE	CHKD
THE INFORMATION CONTAINED IN THIS DOCUMENT IS PROPRIETARY TO E-SWITCH AND IS NOT TO BE COPIED OR TRANSFERRED				