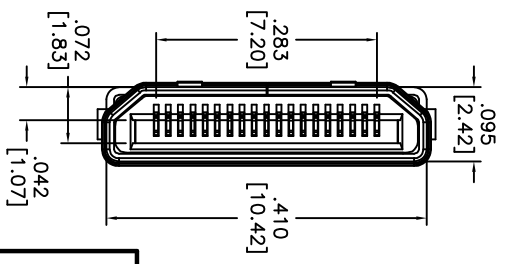
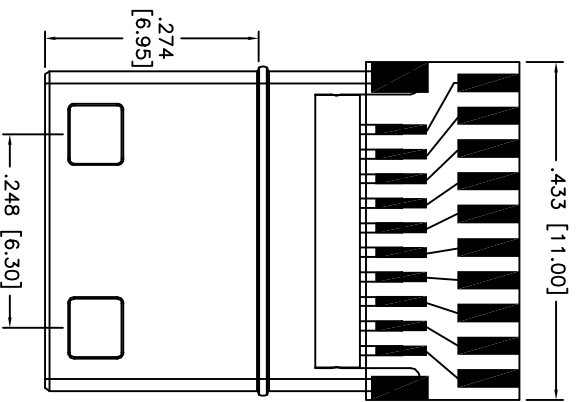
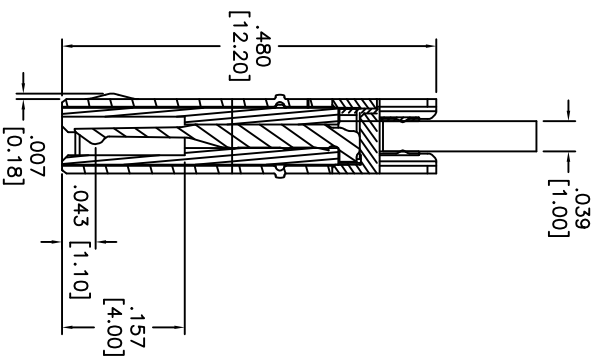
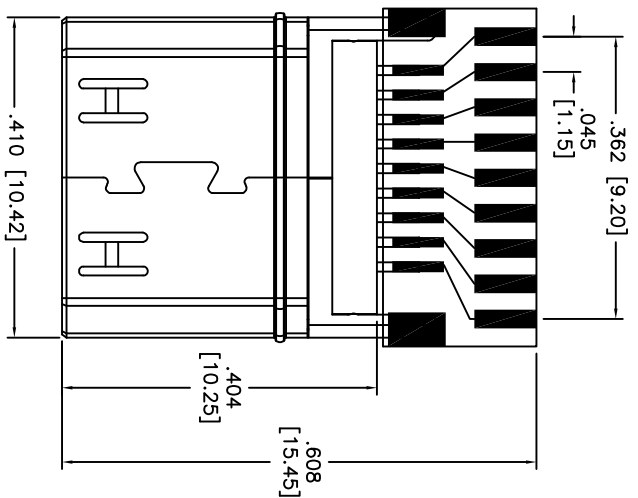


Rev	AWO #	Description	Date	Appr
-		RELEASED	3/3/14	

APPROVED: _____
 DATE: _____ TITLE: _____



SPECIFICATIONS:

Material:
 Insulator: Hi-temp thermoplastic, rated UL 94V-0
 Insulator color: Black
 Contact: Copper Alloy, Sel Gold plated.
 Shell: SPCC, Nickel plated

Electrical:
 Rated Contact: 0.5A Max.
 Rated Voltage: 40V AC/DC Max.
 Withstanding voltage: 150 VAC for 1minute.
 Insulation resistance: 150 Megaohms Min.
 Contact resistance: 10 milliohms Max.

Temperature Rating:
 Operating temperature: -55°C to +85°C

Environmental:
 Lead free, RoHS Compliant

UNLESS OTHERWISE SPECIFIED
 ALL DIMENSIONS ARE INCHES [MM]
 TOLERANCES: EXCEPT AS NOTED

INCHES	HOLE
.X ± .10	ØX ± .10
.XX ± .020	ØXX ± .015
.XXX ± .015	ØXXX ± .010

APPROVALS

DATE	DATE
AY	3/3/14
YC	3/3/14

ADAM TECH
 909 Rahway Avenue, Union, NJ 07083
 Phone: 908-687-5000 Fax: 908-687-5710

TITLE: HDMI MALE CONNECTOR, SOLDER TYPE
 MALE OVER MOLDING TYPE

DRAWN	AY	3/3/14	SIZE	PART NO.	REV.
CHECKED	YC	3/3/14	X	MHDMI-PLUG-OM3	-
APPROVED			REF:	S00097C	

SCALE: NTS SHEET 1 OF 1

