

PLEASE CHECK WWW.MOLEX.COM FOR LATEST PART INFORMATION

Part Number: [73100-0030](#)
Status: **Active**
Overview: Type N RF Connectors
Description: 50 Ohms, N Flange Mount, 4 Hole Jack Receptacle, Candlestick

Documents:

[Drawing \(PDF\)](#) [RoHS Certificate of Compliance \(PDF\)](#)

General

| | |
|-----------------|--------------------------------------|
| Product Family | RF/Coax Connectors |
| Series | 73100 |
| Overview | Type N RF Connectors |
| Product Name | N |
| Style | Hookup Wire |
| UPC | 800753686557 |
| Wire/Cable Type | N/A |

Physical

| | |
|-----------------------|----------|
| Gender | Jack |
| Keying to Mating Part | None |
| Net Weight | 18.970/g |
| Orientation | Straight |
| PCB Mounting | N/A |
| Packaging Type | Tray |
| Panel Mount | Yes |
| Panel Mount Method | Flange |
| Reverse Polar | No |

Electrical

| | |
|-----------|-----|
| Impedance | 50# |
|-----------|-----|

Material Info

Reference - Drawing Numbers

| | |
|---------------|---------------|
| Sales Drawing | SD-73100-0030 |
|---------------|---------------|

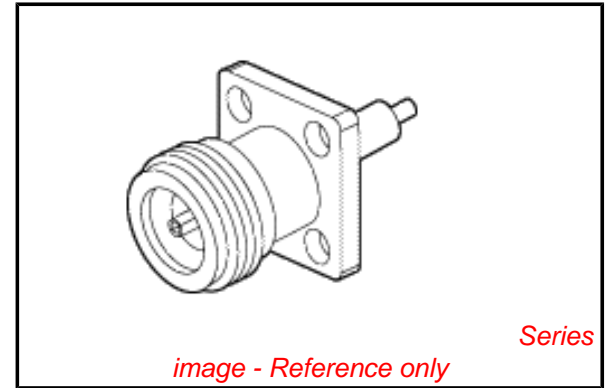


image - Reference only

EU RoHS

RoHS Compliant by Exemption

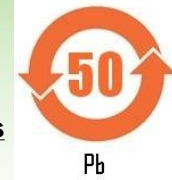
REACH SVHC

Contains SVHC: No

Low-Halogen Status

Low-Halogen

China RoHS



Need more information on product environmental compliance?

Email productcompliance@molex.com
 For a multiple part number RoHS Certificate of Compliance, [click here](#)

Please visit the [Contact Us](#) section for any non-product compliance questions.

Search Parts in this Series

[73100Series](#)