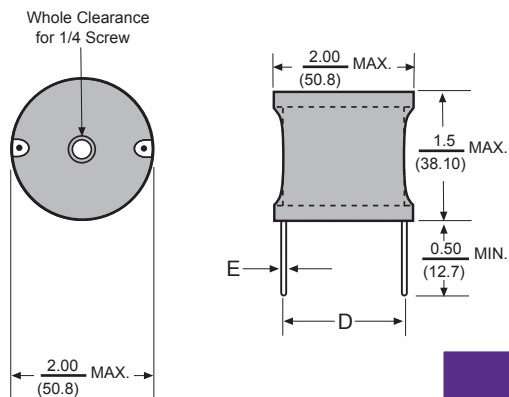


RDC60 Radial Drum Core Inductors



Dimensions: $\frac{\text{Inches}}{\text{(mm)}}$



Features

- High Current / Radial Power Line Choke
- Drum Core Design
- Hole Clearance for 1/4 Screw
- UL VW-1 Shrink Tube Cover

Electrical

Inductance Range: 4.7 μ H to 47,000 μ H

Tolerance: 20% for 4.7 μ H to 8.2 μ H and
10% for 10 μ H to 47,000 μ H

Operating Temp: -55°C ~ +125°C

Saturation Current: Lowers Inductance by 5%

Test Equipment

(L): HP 4263A @ 1Khz

(DCR): HP 4263A

Physical

Packaging: Box Trays

Marking: EIA Inductance Code

Allied Part Number	(L) (μ H) @ 1Khz	Tolerance	DCR Max. (Ω)	Saturation Current (A) DC	Rated Current (A)	Dimension (E)	Dimension (D)
RDC60-4R7M-RC	4.7	20	.002	149.9	35.0	0.105	1.40
RDC60-5R6M-RC	5.6	20	.002	122.7	35.0	0.105	1.40
RDC60-6R8M-RC	6.8	20	.003	103.8	35.0	0.105	1.40
RDC60-8R2M-RC	8.2	20	.003	90.0	35.0	0.105	1.40
RDC60-100K-RC	10	10	.003	79.4	35.0	0.105	1.48
RDC60-120K-RC	12	10	.004	71.0	35.0	0.105	1.48
RDC60-150K-RC	15	10	.004	64.3	35.0	0.105	1.48
RDC60-180K-RC	18	10	.005	58.7	35.0	0.105	1.48
RDC60-220K-RC	22	10	.005	54.0	35.0	0.105	1.48
RDC60-270K-RC	27	10	.006	50.0	35.0	0.105	1.48
RDC60-330K-RC	33	10	.006	46.5	35.0	0.105	1.48
RDC60-390K-RC	39	10	.006	43.5	35.0	0.105	1.48
RDC60-470K-RC	47	10	.008	40.9	35.0	0.105	1.48
RDC60-560K-RC	56	10	.009	36.5	35.0	0.105	1.48
RDC60-680K-RC	68	10	.009	32.9	35.0	0.105	1.48
RDC60-820K-RC	82	10	.010	30.0	35.0	0.105	1.48
RDC60-101K-RC	100	10	.014	26.5	27.0	0.094	1.53
RDC60-121K-RC	120	10	.015	24.5	27.0	0.094	1.53
RDC60-151K-RC	150	10	.023	21.4	21.0	0.084	1.49
RDC60-181K-RC	180	10	.025	19.5	21.0	0.084	1.49
RDC60-221K-RC	220	10	.028	18.0	21.0	0.084	1.49
RDC60-271K-RC	270	10	.030	16.2	21.0	0.084	1.49
RDC60-331K-RC	330	10	.040	14.8	17.0	0.075	1.31
RDC60-391K-RC	390	10	.055	13.6	13.5	0.068	1.31
RDC60-471K-RC	470	10	.061	12.3	13.5	0.068	1.31
RDC60-561K-RC	560	10	.068	11.3	13.5	0.068	1.40
RDC60-681K-RC	680	10	.094	10.3	11.4	0.060	1.42
RDC60-821K-RC	820	10	.104	9.4	11.4	0.060	1.42
RDC60-102K-RC	1000	10	.143	8.5	9.0	0.054	1.36
RDC60-122K-RC	1200	10	.156	7.7	9.0	0.054	1.36
RDC60-152K-RC	1500	10	.219	6.8	7.2	0.048	1.31
RDC60-182K-RC	1800	10	.241	6.3	7.2	0.048	1.31
RDC60-222K-RC	2200	10	.270	5.7	7.2	0.048	1.40
RDC60-272K-RC	2700	10	.364	5.1	5.5	0.043	1.36
RDC60-332K-RC	3300	10	.498	4.6	4.5	0.039	1.24
RDC60-392K-RC	3900	10	.548	4.2	4.5	0.039	1.32
RDC60-472K-RC	4700	10	.608	4.5	4.5	0.039	1.32
RDC60-562K-RC	5600	10	.671	4.5	4.5	0.039	1.36
RDC60-682K-RC	6800	10	.750	3.2	4.5	0.039	1.40
RDC60-822K-RC	8200	10	1.03	2.9	4.0	0.035	1.45
RDC60-103K-RC	10000	10	1.16	2.6	4.0	0.035	1.45
RDC60-123K-RC	12000	10	1.54	2.4	2.8	0.031	1.40
RDC60-153K-RC	15000	10	1.75	2.2	2.8	0.031	1.40
RDC60-183K-RC	18000	10	1.94	2.0	2.8	0.028	1.45
RDC60-223K-RC	22000	10	2.74	1.8	2.0	0.028	1.37
RDC60-273K-RC	27000	10	3.71	1.6	1.7	0.025	1.37
RDC60-333K-RC	33000	10	4.16	1.5	1.7	0.025	1.37
RDC60-393K-RC	39000	10	5.56	1.4	1.4	0.025	1.35
RDC60-473K-RC	47000	10	6.19	1.2	1.4	0.022	1.35

All specifications subject to change without notice.