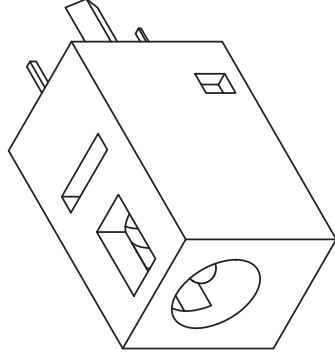
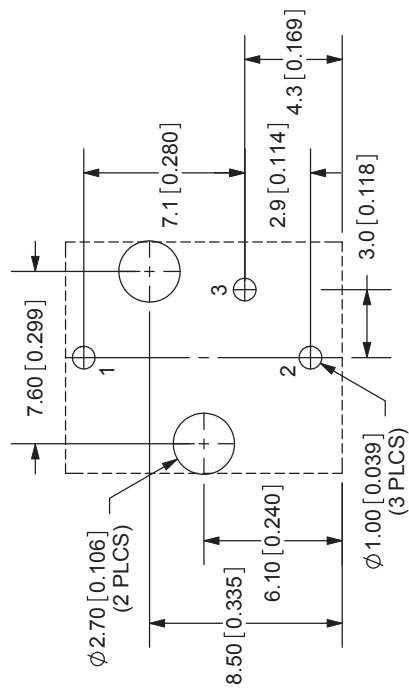
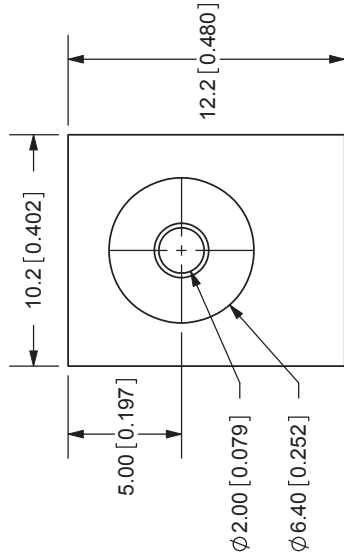
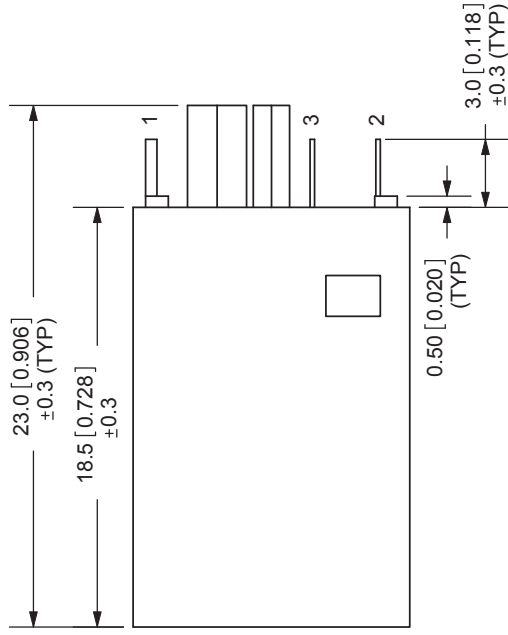


REV.	DESCRIPTION	DATE
A	NEW DRAWING	7/30/2007



SCALE: 2:1



TOLERANCE:  
X.X±0.2mm  
X.XX±0.1mm  
X.XXX±0.05mm

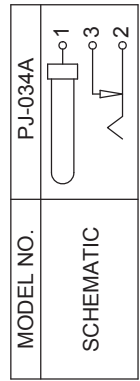
PCB LAYOUT  
TOP VIEW

20050 SW 112th Ave.  
Tualatin, OR 97062  
Phone: 503-612-2300  
800-275-4899  
Fax: 503-612-2383  
Website: www.cui.com

TITLE: DC POWER JACK  
PART NO: PJ-034A  
DRAWN BY: ZRJ  
APPROVED BY: [Signature]  
UNITS: MM [INCHES]  
SCALE: 3:1  
REV: A

SPECIFICATIONS:  
RATING: 16V DC @ 2.5A  
CONTACT RESISTANCE: 50m OHMS MAX  
INSULATION RESISTANCE: 100M OHMS MIN: 500V DC  
VOLTAGE WITHSTAND: 500V AC R.M.S. FOR 1 MINUTE  
LIFE: 5,000 CYCLES  
OPERATING TEMP: -25° ~ +85°C

CENTER PIN	MATERIAL	PLATING
TERMINAL 1	Copper	Nickel
TERMINAL 2	Brass	Tin
TERMINAL 3	Copper Alloy	Tin
BODY	Brass	Tin
	PBT	



CENTER PIN DIAMETER 2.0mm Dia.