



## Aluminum Mounting Bracket for RF Tapper Type 2

### TECHNICAL DATA SHEET

PE1011

#### Aluminum Mounting Bracket for RF Tapper Type 2

##### Configuration

Description	Aluminum Mounting Bracket for RF Tapper Type 2
Body Material and Plating	Aluminum

##### Compliance Certifications (visit [www.Pasternack.com](http://www.Pasternack.com) for current document)

RoHS Compliant	Yes
----------------	-----

##### Plotted and Other Data

Notes:	Values at 25 °C, sea level See Drawing For Compatibility Table.
--------	--

Aluminum Mounting Bracket for RF Tapper Type 2 from Pasternack Enterprises has same day shipment for domestic and International orders. Our RF, microwave and fiber optic products maintain a 99% availability and are part of the broadest selection in the industry.

Click the following link (or enter part number in "SEARCH" on website) to obtain additional part information including price, inventory and certifications: [Aluminum Mounting Bracket for RF Tapper Type 2 PE1011](http://www.pasternack.com/aluminum-mounting-bracket-for-rf-tapper-type-2-pe1011)

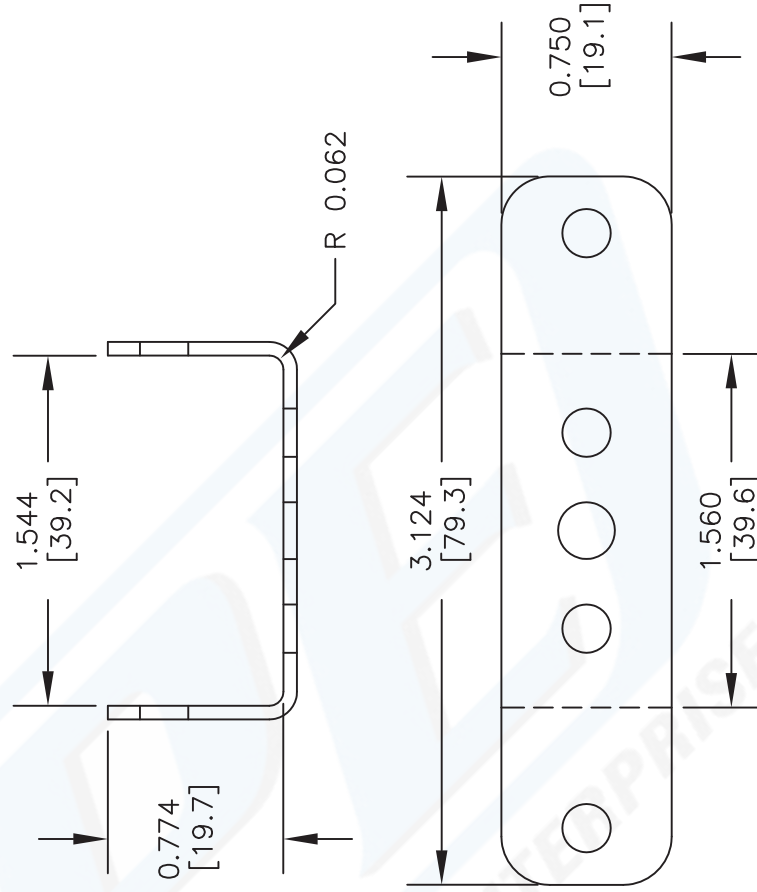
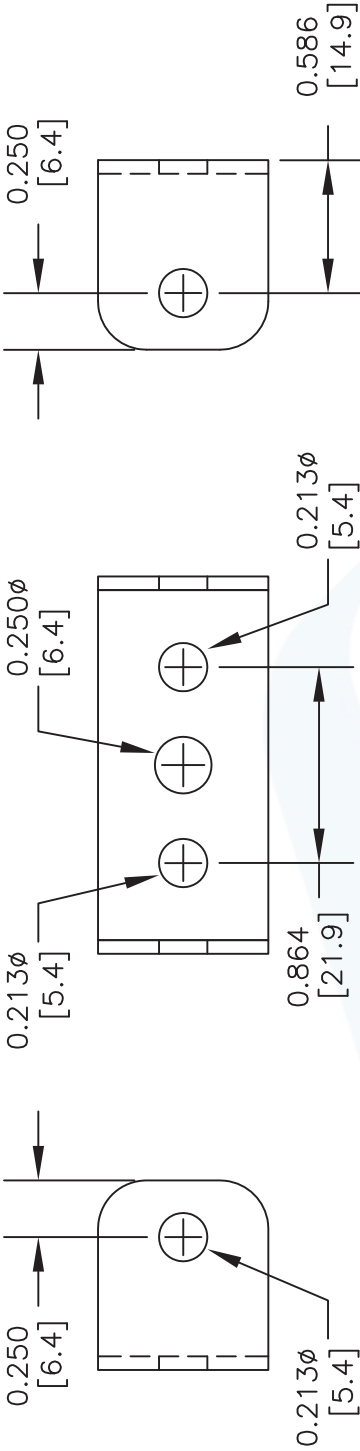
URL: <http://www.pasternack.com/aluminum-mounting-bracket-for-rf-tapper-type-2-pe1011-p.aspx>

The information contained in this document is accurate to the best of our knowledge and representative of the part described herein. It may be necessary to make modifications to the part and/or the documentation of the part, in order to implement improvements. Pasternack reserves the right to make such changes as required. Unless otherwise stated, all specifications are nominal.

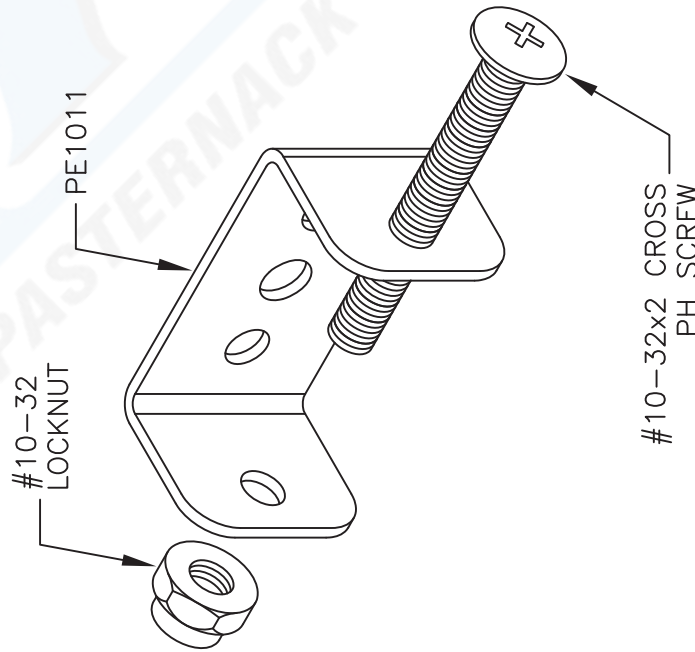
# PE1011 CAD Drawing

Aluminum Mounting Bracket for RF Tapper Type 2

BRACKET FOR:
PE-T1001
PE-T1002
PE-T1006
PE-T1008
PE-T1011
PE-T1013



FLAT LAYOUT



DWG TITLE

**PE1011**

NOTES:  
 1. UNLESS OTHERWISE SPECIFIED ALL DIMENSIONS ARE NOMINAL.  
 2. ALL SPECIFICATIONS ARE SUBJECT TO CHANGE WITHOUT NOTICE AT ANY TIME.  
 3. DIMENSIONS ARE IN INCHES [mm].

FSCM NO. 53919

CAD FILE 080813

SCALE N/A

SIZE A

2233

**PE PASTERNAK®**  
 Pasternack Enterprises, Inc.  
 P.O. Box 16759 | Irvine | CA | 92623  
 Phone: (949) 261-1920 | Fax: (949) 261-7451  
 Website: www.pasternack.com | E-Mail: sales@pasternack.com