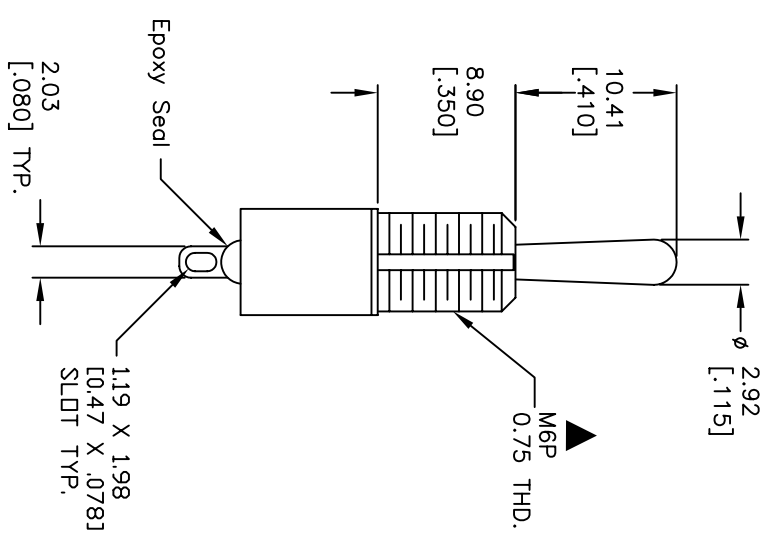
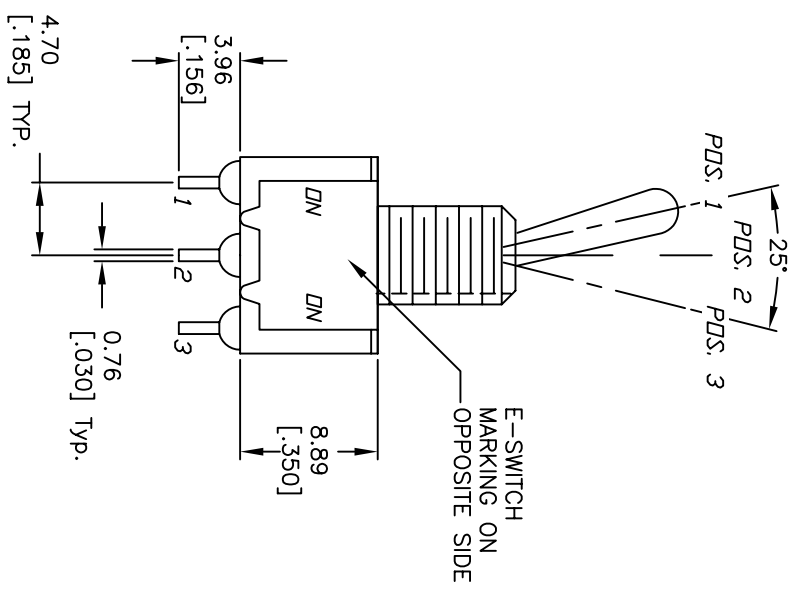
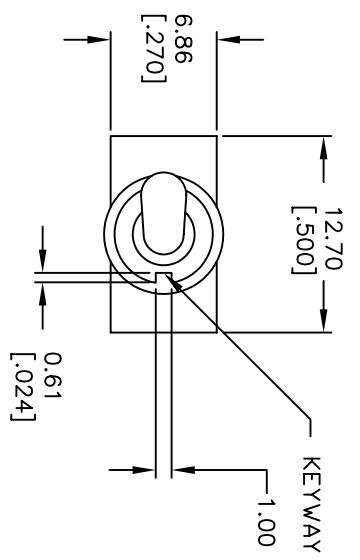


CIRCUIT: SPDT

SWITCH FUNCTION		
PDS. 1	PDS. 2	PDS. 3
2-3	OPEN	2-1

NOTES:

1. ALL DIMENSIONS IN MM [INCH]
2. GENERAL TOLERANCE: X.X=±0.4
X.XX=±0.25
3. TERM. NOS. FOR REF. ONLY
4. RATING: 5A @120VAC OR 28VDC
2A @250VAC
5. ELECTRICAL LIFE: 50,000 make-and-break
cycles at full load.
6. INSULATION RESISTANCE: 1,000M ohm min.
7. DIELECTRIC STRENGTH: 1000V RMS @sea level
8. OPERATING TEMP.: -30°C to 85°C
9. 2002/95/EC (ROHS) COMPLIANT



B	15503	ADD ROHS NOTE	11/7/05	PH
A	11854	RELEASED FOR PRODUCTION	11/28/01	CJB
REV.	ECN No.	DESCRIPTION	DATE	CHKD

TITLE		SCALE	DATE	DR	DWG	REV
100 SP-1 T1 B8 M1 Q E		2:1	11/28/01	CJB	T111023	B



THE INFORMATION CONTAINED IN THIS DOCUMENT IS PROPRIETARY TO E-SWITCH AND IS NOT TO BE COPIED OR TRANSFERRED