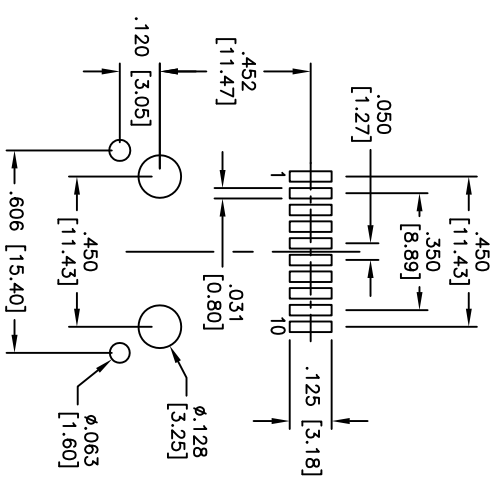
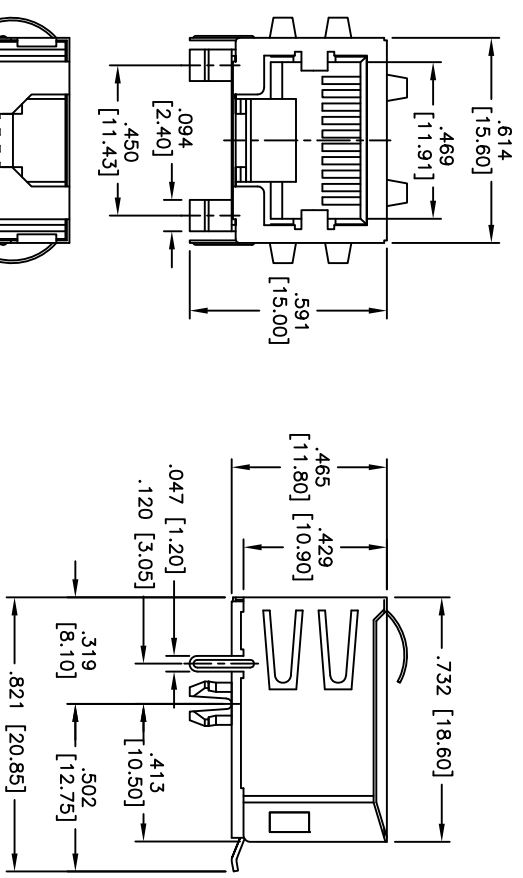
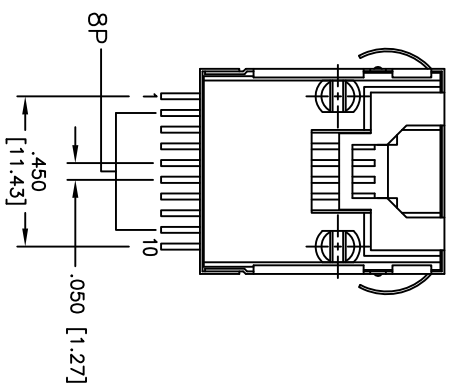


Rev	AWO #	Description	Date	Appr
-	11146	RELEASED	3/10/11	

APPROVED: _____ TITLE: _____
 DATE: _____



RECOMMENDED PCB LAYOUT



X	PLATING
0	15 µin Gold
1	30 µin Gold
2	50 µin Gold

SPECIFICATIONS:

Material: Insulator: Hi-Temp Nylon46, rated UL 94V-0
 Insulator color: Black
 Contacts: Phosphor Bronze
 Shield: Copper Alloy, Nickel plated
 Plating: Gold over Nickel underplate on contact area, Tin over Copper underplate on SMT tails. (See chart for thickness)

Electrical: Operating voltage: 150V AC max
 Current rating: 1.5 Amps max
 Contact resistance: 20m ohms max
 Insulation resistance: 500 Mohms min
 Dielectric withstanding voltage: 1000 VAC for 1 minute

Temperature Rating: Operating temperature: -40°C to +70°C
 Environmental: Lead free, RoHS compliant.
 Recommended soldering temp: 260°C for 5 sec.



ADAM TECH

909 Railway Avenue, Union, NJ 07083
 Phone: 908-687-5000 Fax: 908-687-5710

MODULAR TELEPHONE JACK, 10P10C
 SIDE ENTRY SMT TYPE

UNLESS OTHERWISE SPECIFIED ALL DIMENSIONS ARE INCHES [MM]		TOLERANCES: EXCEPT AS NOTED		HOLDERS	
INCHES		HOLDERS		DATE	
.X	± .10	ØX	± .10		
.XX	± .020	ØXX	± .015		
.XXX	± .015	ØXXX	± .010		
DRAWN		DATE		TITLE	
DY		3/10/11		MODULAR TELEPHONE JACK, 10P10C	
CHECKED		SIZE		PART NO.	
APPROVED		X		MTJ-1010WX1-FSE-PG-SMT	
REF:		S00065T		SCALE: NTS	
SHEET 1 OF 1		REV.			

6 5 4 3 2 1

A B C D