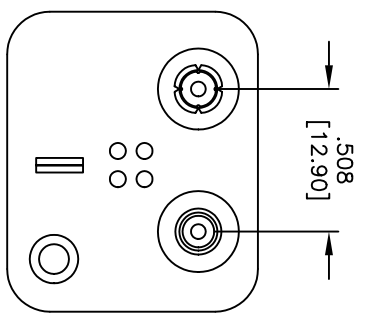
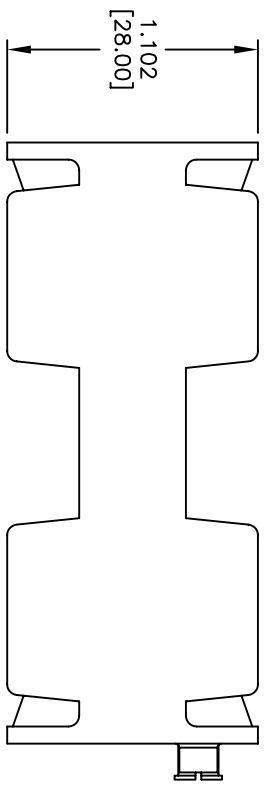
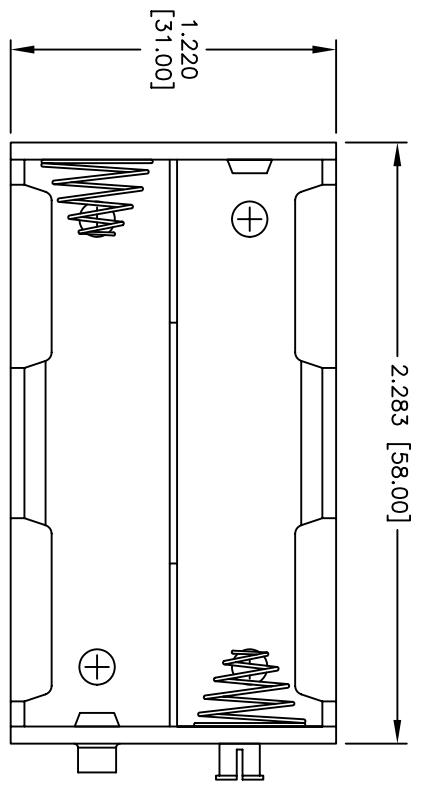


Rev	AWO #	Description	Date	Appr
-		RELEASED	1/17/05	

APPROVED: _____
 DATE: _____ TITLE: _____



SPECIFICATIONS:

Material: Insulator: Impact resistant Polypropylene, rated UL94-HB
 Insulator color: Black
 Spring: Steel, Nickel plated
 Contacts: Steel, Nickel plated
 Snap terminals: Brass, Nickel plated
Electrical:
 Operating voltage: 1.5 VDC max.
 Temperature Rating: Operating temperature: -10°C to +80°C
Environmental:
 Lead free, RoHS compliant



UNLESS OTHERWISE SPECIFIED ALL DIMENSIONS ARE INCHES [MM]	
TOLERANCES: EXCEPT AS NOTED	
INCHES	HOLDS
.X ± .10	ØXX ± .10
.XX ± .020	ØXXX ± .015
.XXX ± .015	ØXXXX ± .010
APPROVALS	DATE
DRAWN SS	1/17/05
CHECKED	
APPROVED	

ADAM TECH
 909 Rahway Avenue, Union, NJ 07083
 Phone: 908-687-5000 Fax: 908-687-5710

TITLE: BATTERY HOLDER, MALE/FEMALE SNAPS FOR FOUR "AA" CELLS	
SIZE: X	PART NO.: BH-05-2
REF:	SCALE: NTS
	SHEET 1 OF 1

