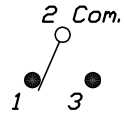


RECOMMENDED PANEL MOUNTING



CIRCUIT: SPDT

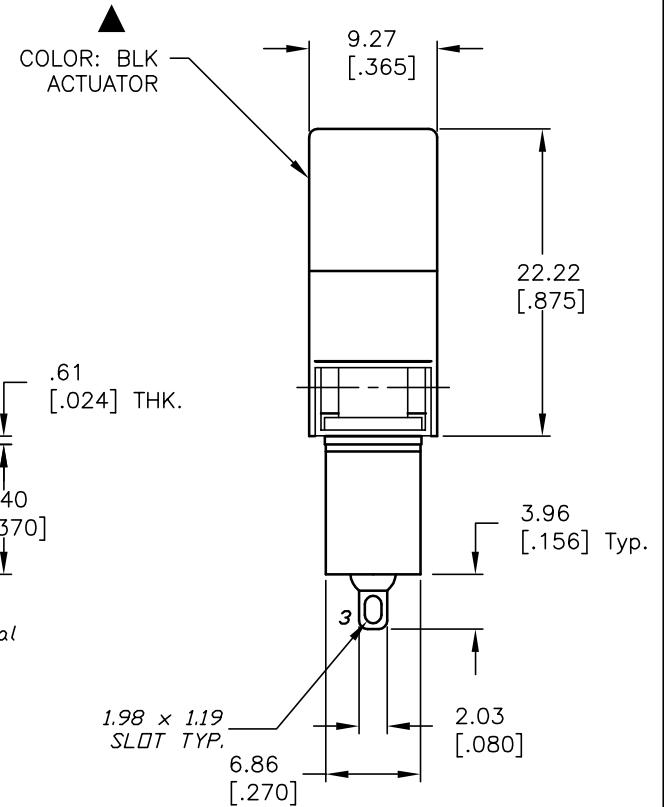
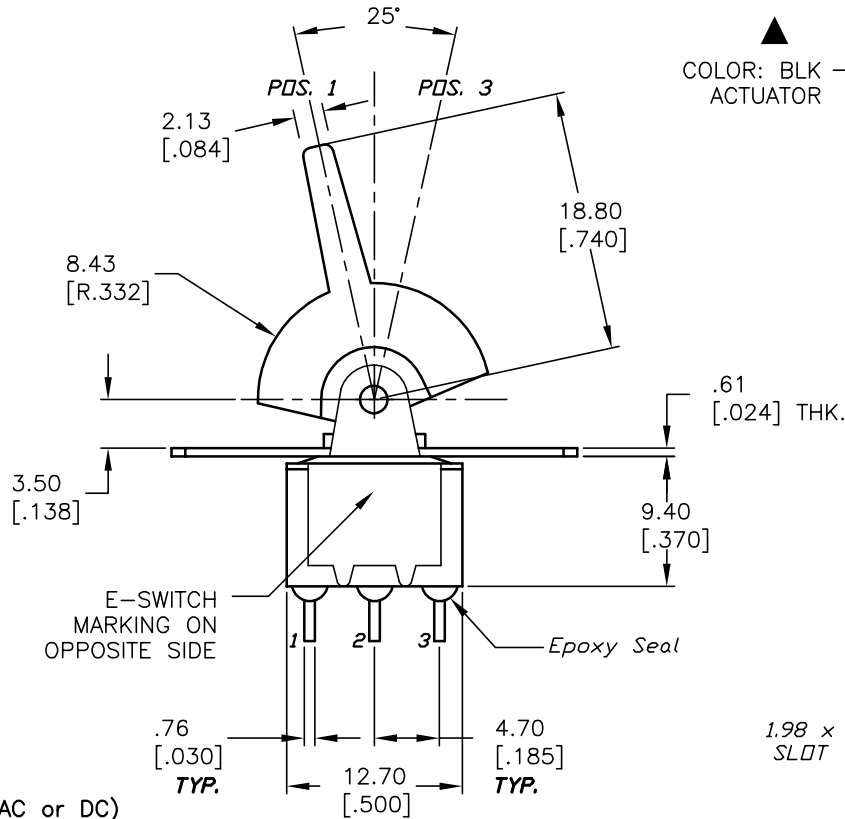
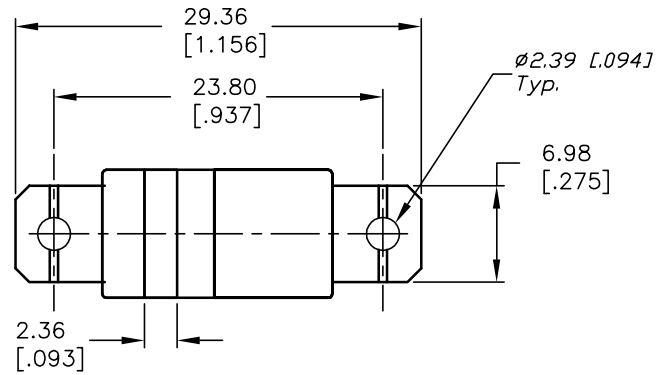
CONTACT CONFIGURATION

SWITCH FUNCTION		
POS. 1	POS. 2	POS. 3
ON	NONE	<ON>
2-3	OPEN	2-1

<ON> = MOMENTARY

NOTES:

1. ALL DIMENSIONS IN MM [INCH]
2. GENERAL TOLERANCE: X.X=±0.4; X.XX=±0.25
3. TERM. NOS. FOR REF. ONLY
4. CONTACT RATING: 0.4 (VA) MAX. @ 20V MAX. (AC or DC)
5. ELECTRICAL LIFE: 50,000 make-and-break cycles at full load.
6. INSULATION RESISTANCE: 1,000M ohm min.
7. DIELECTRIC STRENGTH: 1,000 V RMS @sea level
8. OPERATION TEMP.: -30°C to 85°C



COLOR: BLK ACTUATOR

E-SWITCH®

TITLE				
300SP2R2BLKM1RE				
SCALE	DATE	DR	DWG	REV
2:1	1/22/04	AR	T312017	A

A	13734	RELEASED FOR PRODUCTION	1/22/04	AR
REV.	ECN No.	DESCRIPTION	DATE	CHKD

THE INFORMATION CONTAINED IN THIS DOCUMENT IS PROPRIETARY TO E-SWITCH AND IS NOT TO BE COPIED OR TRANSFERRED