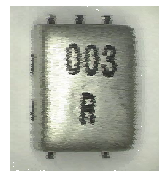


Type: CBM63C

Product Description

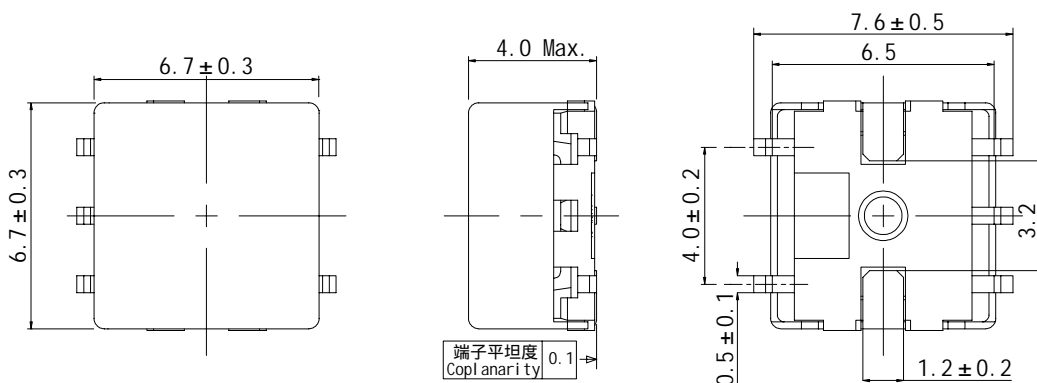
- 7.0x7.0mm Max.(LxW),4.0mm Max. Height.
- Operating frequency: 100kHz ~ 1GHz



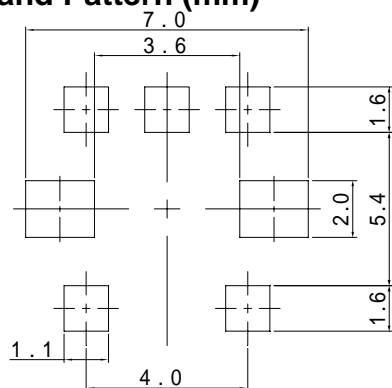
Feature

- Balance-unbalance transformer, common mode choke.
- Ideally used in EMC and balance-unbalance converter circuit, distributor of car tuner, CATV signal transfer.
- RoHS Compliance.

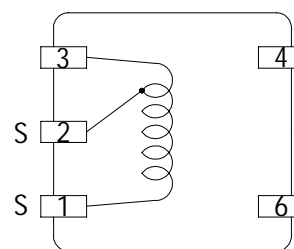
Dimensions (mm)



Land Pattern (mm)



Schematics(Bottom)



“S” is winding start.

Specification

| Sample Name | Inductance (1-3) 100kHz, 0.1V | Distribute loss 10 ~ 110MHz | | Combination loss of terminals (1-3) 10 ~ 110MHz |
|-------------|-------------------------------------|--------------------------------|-------|----------------------------------------------------------|
| | | (2-1) | (2-3) | |
| S14080001 | 260µH±40% | 11dB | 1.1dB | 15dB Min |